

EANCOM 2002 Syntax 4
Edition 2016_Update 2021

Receiving advice
(RECADV)

| | |
|-------------------------|-----|
| Introduction..... | 2 |
| Branching Diagram | 7 |
| Message Structure..... | 12 |
| Segmentlayout..... | 14 |
| Codes | 63 |
| Example..... | 349 |

Einführung

Introduction

The following message specification is based on the publication of the "Receiving Advice Message" of GS1 Global in syntax 4.

Status

MESSAGE TYPE: RECADV
REFERENCE DIRECTORY: D.01B
EANCOM® SUBSET VERSION: 009

Definition

The Receiving Advice message addresses the business needs related to the receipt of goods.

It is used either:

- to confirm reception of goods.
- in conjunction with the Despatch Advice message to confirm receipt or to advise discrepancies following the reception of goods and/or the controlled contents of a despatch which has been accepted (the waybill is signed).
- to inform about discrepancies between goods received and goods ordered/planned.

Principles

The message relates to one consignor and one consignee and is initiated by the party who has received the goods and/or services according to agreed conditions.

The message relates to a single despatch point and a single receiving point. It may cover a number of different items or packages.

It allows the buyer or recipient of goods to provide the supplier or respective agent with:

- a confirmation of the receipt of goods,
- a notification on discrepancies between the number of items RECEIVED AND ACCEPTED and the number of items despatched (and/or ordered),
- a notification or instruction concerning the acceptance or suggested actions for the identified discrepancies,
- an instruction for corrections to be undertaken on the invoice or credit notes to be issued which are based on the despatch advice or despatch note. The receiver of goods may also correct internal invoice(s) for goods which are eventually passed on to the final customer.

The Receiving Advice should always be sent by the buyer to the supplier or their respective agents after the goods are physically received and inspected.

Einführung

The message should be sent within a commercially agreed time period e.g. 24 hours after receipt of goods. This makes it possible for the supplier to check the data of the despatch, adjust the invoice or issue a credit note, control internal procedures, count stock etc.

Scenarios for the Receiving Advice Message

Any number of business needs and actions affecting the whole production/ordering, delivery and invoicing cycle can arise as a result of the actual delivery of goods.

Discrepancies between goods received and accepted, and goods expected to be delivered might lead to adjustments of delivery schedules, orders, invoices, etc. These actions may be covered by the Receiving Advice, other EDI messages and via other communication channels.

Trading partners should review their business procedures and identify those functions and actions which may be covered by the Receiving Advice message. Scenarios covered by the Receiving Advice message can range from simple to complex, determining the ease and degree of automation.

Simple Scenario

Within a simple scenario, the Receiving Advice message is only used to confirm or advise discrepancies related to the Despatch Advice or note.

When only confirming or rejecting the reception and acceptance of goods, only the header section of the Receiving Advice message need be transmitted. Confirmation of reception might trigger invoicing for goods and services or may be used by the supplier to control the performance of contracted transportation services.

Within a simple scenario, the Receiving Advice is only used to notify discrepancies between goods received and accepted and goods despatched as communicated in the Despatch Advice. In these cases, the Receiving Advice will usually involve information related to goods lost, stolen or damaged in transit, short or excess shipments, unknown items, etc.

Any adjustments to delivery schedules or purchase orders will have been dealt with beforehand or will be handled through other EDI messages or by other communication channels.

Actions to be taken related to any discrepancies may be agreed beforehand and can be specified in the interchange agreement.

Complex Scenario

The functionalities covered by the Receiving Advice within a more complex scenario may include those described above as part of the simple scenario and in addition, information or instructions which might alter an existing delivery schedule, outstanding order, invoice, etc.

Within a more complex scenario the Receiving Advice message might notify discrepancies for both despatched and received and accepted quantities AND despatched and ordered or planned quantities, e.g. a Receiving Advice could change the status of a line item on backorder by requesting a new delivery date, cancelling the item, etc.

Within a more complex scenario, suggested actions or instructions relevant to delivery discrepancies may vary depending on stock situation, sales forecasting, etc.

Einführung

Structure of the Receiving Advice Message

The EANCOM® Receiving Advice detail section contains two distinct structures.

1. CPS-PAC Segment Group Structure

The first is the CPS-PAC Segment Group structure which can be used to provide information at the shipping container level, (e.g. containers which have been damaged, serialised containers unknown at the reception point, etc.)

This group of segments allows for the provision of shipping container identification numbers. The function or meaning of the identification numbers transmitted in this part of the message should be bilaterally agreed by trading partners and described in the PCI and GIN segments at the CPS-PAC level.

2. CPS-LIN Segment Group Structure

The second option is CPS-LIN Segment Group structure which can be used to provide detailed receiving information for a particular item (see Receiving Details per Item below). The item may be contained within any given number of shipping containers which are part of the delivery.

Optionally, more specific receiving information for an item within a particular shipping container can be provided (see Receiving Details per Serial Shipping Container Code below). In these cases each shipping container is uniquely identified by an GS1 Serial Shipping Container Code.

2A. Receiving Details per Item

The LIN segment identifies the item and the QTY segment provides the total quantity for the item which has been received and accepted. The quantity in the QTY segment is the global quantity received and accepted and will relate to one or more shipping containers containing the item which are part of the delivery.

Discrepancies between the quantity received and accepted and other quantities (ordered/despached) and actions to be taken are indicated in the QVR and DTM segments.

No details per specific shipping container are provided in this approach.

2B. Receiving Details per Serial Shipping Container Code (SSCC)

Additionally, receiving details per specific shipping container containing the item identified in LIN may be provided. In these cases, LIN will identify the item and the receiving details will be provided per shipping container using the segment group PCI-QTY-QVR-GIN.

The PCI-GIN segments are used to provide the Serial Shipping Container Code of the container containing the item identified in LIN (PCI-GIN). The QTY segment indicates the quantity received and accepted for the specific shipping container. The QVR segment provides information on quantity discrepancies and actions to be taken.

There will be as many PCI-QTY-QVR-GIN repetitions as there are shipping containers containing the

Einführung

item identified in LIN.

CPS-LIN Structure Examples:

A delivery consists of a three shipping containers identified by the SSCC's A, B and C.

The shipping containers contain three different items: GTIN 1, GTIN 2, GTIN 3 in the following composition:

SSCC A contains 10 GTIN 1

SSCC B contains 10 GTIN 1, 15 GTIN 2 and 20 GTIN 3

SSCC C contains 15 GTIN 2 and 15 GTIN 3.

- SHIPMENT DELIVERED

| SSCC - A | SSCC - B | SSCC - C |
|-----------|-----------|-----------|
| 10 GTIN 1 | 10 GTIN 1 | 15 GTIN 2 |
| | 15 GTIN 2 | 15 GTIN 3 |
| | 20 GTIN 3 | |

- Receiving Details per Item

The Receiving Advice message may specify receiving details globally per item:

| | | |
|-------|---|--------|
| LIN 1 | = | GTIN 1 |
| QTY 1 | = | 20 |
| LIN 2 | = | GTIN 2 |
| QTY 2 | = | 30 |
| LIN 3 | = | GTIN 3 |
| QTY 3 | = | 35 |

- Receiving Details per Shipping Container

The Receiving Advice message may specify receiving details globally per SSCC:

Einführung

| | | |
|---------|---|--------|
| LIN 1 | = | GTIN 1 |
| PCI-GIN | = | SSCC A |
| QTY | = | 10 |
| PCI-GIN | = | SSCC B |
| QTY | = | 10 |

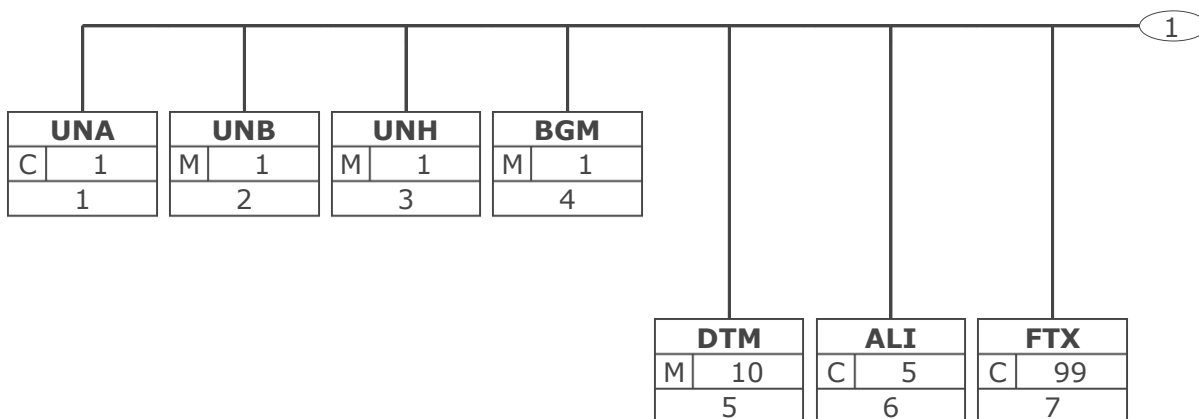
| | | |
|---------|---|--------|
| LIN 2 | = | GTIN 2 |
| PCI-GIN | = | SSCC B |
| QTY | = | 15 |
| PCI-GIN | = | SSCC C |
| QTY | = | 15 |

| | | |
|---------|---|--------|
| LIN 3 | = | GTIN 3 |
| PCI-GIN | = | SSCC B |
| QTY | = | 20 |
| PCI-GIN | = | SSCC C |
| QTY | = | 15 |

Note:

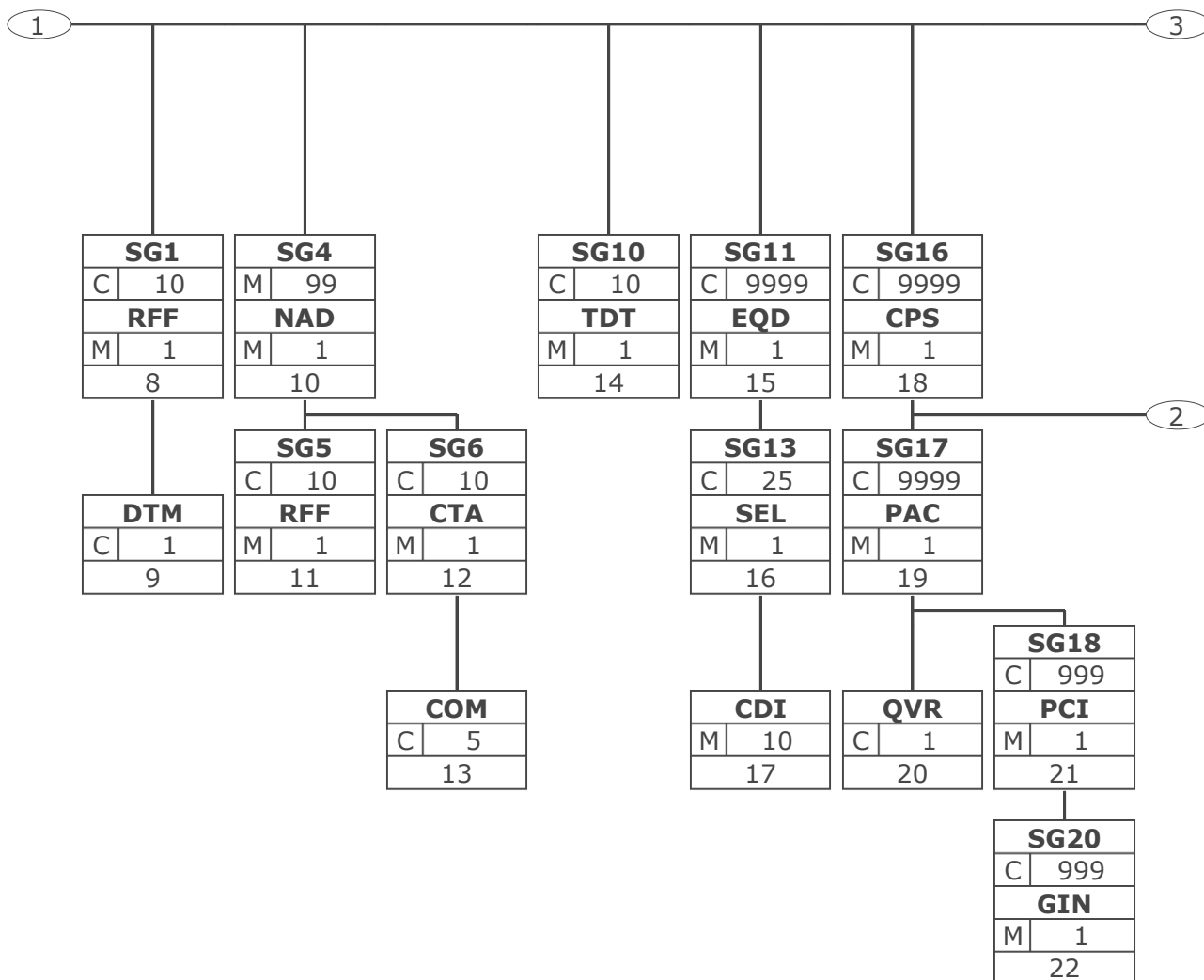
For simplicity, the above examples assume that all quantities despatched are received and accepted (no discrepancies). Under such conditions normally no Receiving Advice message would be sent or only the header section of the message would be sent to confirm reception.

Branching Diagram



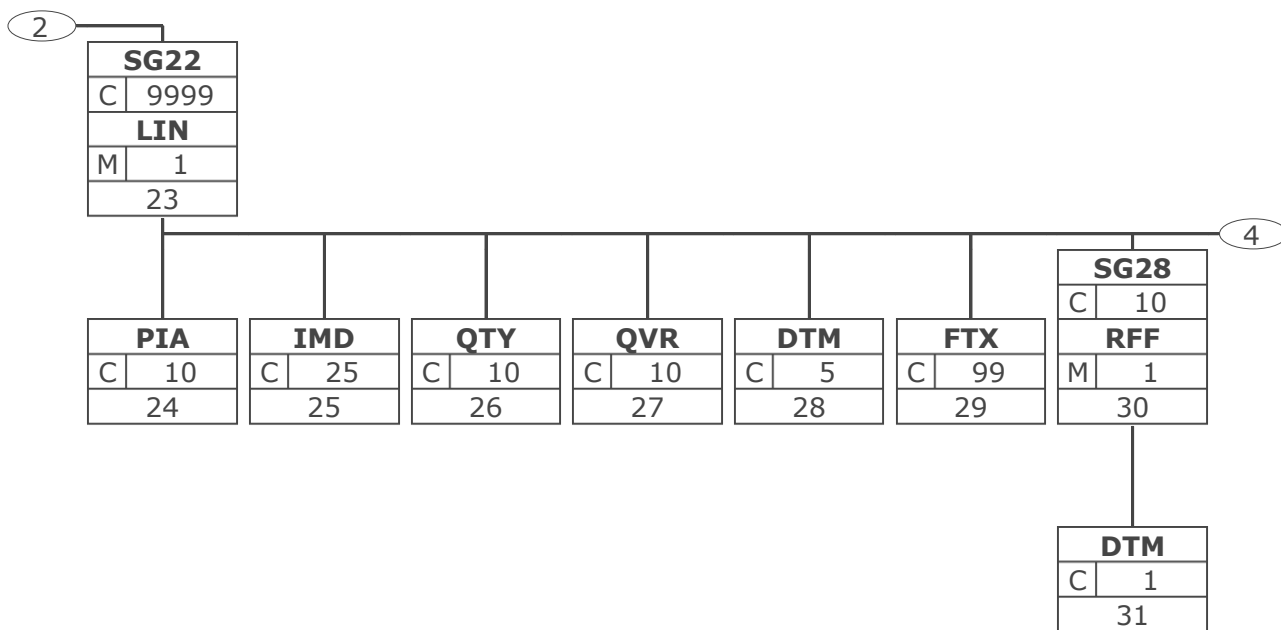
| | |
|-------------|--|
| Tag | Tag = Segment/Group Tag |
| St MaxOcc | St = Status (M=Mandatory, C=Conditional, R=Required, O=Optional, A=Advised, D=Dependent) |
| No | MaxOcc = Maximum occurrence of the segment/group; No = Consecutive segment number |

Branching Diagram



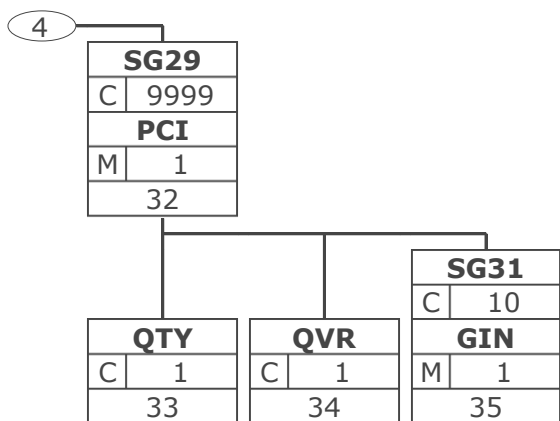
| | |
|-------------|--|
| Tag | Tag = Segment/Group Tag |
| St MaxOcc | St = Status (M=Mandatory, C=Conditional, R=Required, O=Optional, A=Advised, D=Dependent) |
| No | MaxOcc = Maximum occurrence of the segment/group; No = Consecutive segment number |

Branching Diagram



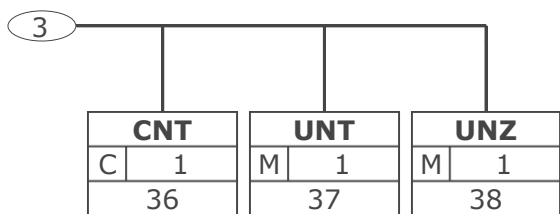
| | | |
|-----|-------------------------|--|
| Tag | Tag = Segment/Group Tag | |
| St | MaxOcc | St = Status (M=Mandatory, C=Conditional, R=Required, O=Optional, A=Advised, D=Dependent) |
| No | MaxOcc | MaxOcc = Maximum occurrence of the segment/group; No = Consecutive segment number |

Branching Diagram



| | |
|-------------|--|
| Tag | Tag = Segment/Group Tag |
| St MaxOcc | St = Status (M=Mandatory, C=Conditional, R=Required, O=Optional, A=Advised, D=Dependent) |
| No | MaxOcc = Maximum occurrence of the segment/group; No = Consecutive segment number |

Branching Diagram



| | |
|-------------|--|
| Tag | Tag = Segment/Group Tag |
| St MaxOcc | St = Status (M=Mandatory, C=Conditional, R=Required, O=Optional, A=Advised, D=Dependent) |
| No | MaxOcc = Maximum occurrence of the segment/group; No = Consecutive segment number |

Message Structure

| Seg. | No. | Status | Max Occ | Segment |
|---|-----|--------|---------|---------------------------------------|
| UNA | 1 | C | 1 | Service string advice |
| UNB | 2 | M | 1 | Interchange header |
| Receiving Advice Heading Section | | | | |
| UNH | 3 | M | 1 | Message header |
| BGM | 4 | M | 1 | Beginning of message |
| DTM | 5 | M | 10 | Date/time/period |
| ALI | 6 | C | 5 | Additional information |
| FTX | 7 | C | 99 | Free text |
| SG1 | | C | 10 | RFF-DTM |
| RFF | 8 | M | 1 | Reference |
| DTM | 9 | C | 1 | Date/time/period |
| SG4 | | M | 99 | NAD-SG5-SG6 |
| NAD | 10 | M | 1 | Name and address |
| SG5 | | C | 10 | RFF |
| RFF | 11 | M | 1 | Reference |
| SG6 | | C | 10 | CTA-COM |
| CTA | 12 | M | 1 | Contact information |
| COM | 13 | C | 5 | Communication contact |
| SG10 | | C | 10 | TDT |
| TDT | 14 | M | 1 | Details of transport |
| SG11 | | C | 9999 | EQD-SG13 |
| EQD | 15 | M | 1 | Equipment details |
| SG13 | | C | 25 | SEL-CDI |
| SEL | 16 | M | 1 | Seal number |
| CDI | 17 | M | 10 | Physical or logical state |
| Receiving Advice Detail Section | | | | |
| SG16 | | C | 9999 | CPS-SG17-SG22 |
| CPS | 18 | M | 1 | Consignment packing sequence |
| SG17 | | C | 9999 | PAC-QVR-SG18 |
| PAC | 19 | M | 1 | Package |
| QVR | 20 | C | 1 | Quantity variances |
| SG18 | | C | 999 | PCI-SG20 |
| PCI | 21 | M | 1 | Package identification |
| SG20 | | C | 999 | GIN |
| GIN | 22 | M | 1 | Goods identity number |
| SG22 | | C | 9999 | LIN-PIA-IMD-QTY-QVR-DTM-FTX-SG28-SG29 |
| LIN | 23 | M | 1 | Line item |
| PIA | 24 | C | 10 | Additional product id |
| IMD | 25 | C | 25 | Item description |
| QTY | 26 | C | 10 | Quantity |
| QVR | 27 | C | 10 | Quantity variances |
| DTM | 28 | C | 5 | Date/time/period |
| FTX | 29 | C | 99 | Free text |
| SG28 | | C | 10 | RFF-DTM |
| RFF | 30 | M | 1 | Reference |
| DTM | 31 | C | 1 | Date/time/period |
| SG29 | | C | 9999 | PCI-QTY-QVR-SG31 |
| PCI | 32 | M | 1 | Package identification |
| QTY | 33 | C | 1 | Quantity |

Max. Occ. = Maximum occurrence of the segment/group, Status: M=Mandatory, C=Conditional, R=Required, O=Optional, A=Advised, D=Dependent

Message Structure

| | Seg. | No. | Status | Max Occ | Segment |
|--|-------------|------------|---------------|----------------|-----------------------|
| | QVR | 34 | C | 1 | Quantity variances |
| | SG31 | | C | 10 | GIN |
| | GIN | 35 | M | 1 | Goods identity number |

Receiving Advice Summary Section

| | | | | | |
|--|-----|----|---|---|---------------------|
| | CNT | 36 | C | 1 | Control total |
| | UNT | 37 | M | 1 | Message trailer |
| | UNZ | 38 | M | 1 | Interchange trailer |

Max. Occ. = Maximum occurrence of the segment/group, Status: M=Mandatory, C=Conditional, R=Required, O=Optional, A=Advised, D=Dependent

Segment Layout

| No. Seg | St | Max. Occ. | | | | |
|---|------------|----------------------------------|-----------------------|----|---|--|
| 1 | UNA | C 1 | Service string advice | | | |
| <p>The service string advice shall begin with the upper case characters UNA immediately followed by six characters in the order shown below. The space character shall not be used in positions 010, 020, 040, 050 or 060. The same character shall not be used in more than one position of the UNA.</p> | | | | | | |
| Business Term | DE | EDIFACT | Format | St | * | Description |
| | UNA1 | Component data element separator | an1 | M | * | Used as a separator between component data elements contained within a composite data element (default value: ":") |
| | UNA2 | Data element separator | an1 | M | * | Used to separate two simple or composite data elements (default value: "+") |
| | UNA3 | Decimal mark | an1 | M | * | Used to indicate the character used for decimal notation (default value: ".") |
| | UNA4 | Release character | an1 | M | * | Used to restore any service character to its original specification (value: "?"). |
| | UNA5 | Repetition separator | an1 | M | * | Used to indicate the character used for repetition separation (value: " * "). |
| | UNA6 | Segment terminator | an1 | M | * | Used to indicate the end of segment data (default value: "'") |
| <p>This segment is used to inform the receiver of the interchange that a set of service string characters which are different to the default characters are being used.</p> <p>When using the default set of service characters, the UNA segment need not be sent. If it is sent, it must immediately precede the UNB segment and contain the four service string characters (positions UNA1, UNA2, UNA4 and UNA6) selected by the interchange sender.</p> <p>Regardless of whether or not all of the service string characters are being changed every data element within this segment must be filled, (i.e., if some default values are being used with user defined ones, both the default and user defined values must be specified).</p> <p>When expressing the service string characters in the UNA segment, it is not necessary to include any element separators.</p> <p>The use of the UNA segment is required when using a character set other than level A.</p> <p>Example: UNA:+.?*'</p> <p>Example: UNA:+.?*'</p> | | | | | | |

Max. Occ. = Maximum Occurrence, St = Status, * = Restricted Codes
 Status: M=Mandatory, R=Required, O=Optional, C=Conditional, D=Dependent, A=Advised, N=Not used

Segment Layout

| No. Seg | St | Max. Occ. | | | |
|---|------------|---|--------------------|----|---|
| 2 | UNB | M 1 | Interchange header | | |
| To identify an interchange. | | | | | |
| Notes: | | | | | |
| 1. S001/0002, shall be '4' to indicate this version of the syntax. | | | | | |
| 2. The combination of the values carried in data elements S002, S003 and 0020 shall be used to identify uniquely the interchange, for the purpose of acknowledgement. | | | | | |
| Business Term | DE | EDIFACT | Format | St | * Description |
| | S001 | Syntax identifier | | M | See Part I chapter 5.2.7 and segment notes. |
| | 0001 | Syntax identifier | a4 | M | * UNOA UN/ECE level A UNOB UN/ECE level B UNOC UN/ECE level C UNOD UN/ECE level D UNOE UN/ECE level E UNOF UN/ECE level F UNOG UN/ECE level G UNOH UN/ECE level H UNOI UN/ECE level I UNOJ UN/ECE level J UNOK UN/ECE level K UNOW UN/ECE level W UNOX UN/ECE level X UNOY UN/ECE level Y |
| | 0002 | Syntax version number | an1 | M | * 4 Version 4 |
| | S002 | Interchange sender | | M | |
| | 0004 | Interchange sender identification | an..35 | M | GLN (n13) |
| | 0007 | Identification code qualifier | an..4 | R | * 14 GS1 |
| | 0008 | Interchange sender internal identification | an..35 | O | |
| | S003 | Interchange recipient | | M | |
| | 0010 | Interchange recipient identification | an..35 | M | GLN (n13) |
| | 0007 | Identification code qualifier | an..4 | R | * 14 GS1 |
| | 0014 | Interchange recipient internal identification | an..35 | O | |
| | S004 | Date and time of preparation | | M | |
| | 0017 | Date | n8 | M | CCYYMMDD |
| | 0019 | Time | n4 | M | HHMM |
| | 0020 | Interchange control reference | an..14 | M | Unique reference identifying the interchange. Created by the interchange sender. |
| | S005 | Recipient reference/ password details | | O | |

Max. Occ. = Maximum Occurrence, St = Status, * = Restricted Codes

Status: M=Mandatory, R=Required, O=Optional, C=Conditional, D=Dependent, A=Advised, N=Not used

Segment Layout

| Business Term | DE | EDIFACT | Format | St | * | Description |
|---------------|------|--|--------|----|---|--|
| | 0022 | Recipient reference/ password | an..14 | M | | |
| | 0025 | Recipient reference/ password qualifier | an2 | O | | |
| | 0026 | Application reference | an..14 | O | | Message identification if the interchange contains only one type of message. |
| | 0029 | Processing priority code | a1 | O | | A Highest priority |
| | 0031 | Acknowledgement request | n1 | O | | 1 Requested |
| | 0032 | Interchange agreement identifier | an..35 | O | * | EANCOM..... |
| | 0035 | Test indicator | n1 | O | | 1 Interchange is a test |

This segment is used to envelope the interchange, as well as to identify both, the party to whom the interchange is sent and the party who has sent the interchange. The principle of the UNB segment is the same as a physical envelope which covers one or more letters or documents, and which details, both the address where delivery is to take place and the address from where the envelope has come.

S001: The character encoding specified in basic code table of ISO/IEC 646 (7-bit coded character set for information interchange) shall be used for the interchange service string advice (if used) and up to and including the composite data element S001 'Syntax identifier' in the interchange header. The character repertoire used for the characters in an interchange shall be identified from the code value of data element 0001 in S001 'Syntax identifier' in the interchange header. The character repertoire identified does not apply to objects and/or encrypted data.

The default encoding technique for a particular repertoire shall be the encoding technique defined by its associated character set specification.

DE 0001: The recommended (default) character set for use in EANCOM® for international exchanges is character set A (UNOA). Should users wish to use character sets other than A, an agreement on which set to use should be reached on a bilateral basis before communications begin.

DE 0004, 0008, 0010 and 0014: Within EANCOM® the use of the Global Location Number (GLN) is recommended for the identification of the interchange sender and recipient.

DE 0008: Identification (e.g. a division) specified by the sender of the interchange, to be included if agreed, by the recipient in response interchanges, to facilitate internal routing.

DE 0014: The address for routing, provided beforehand by the interchange recipient, is used by the interchange sender to inform the recipient of the internal address, within the latter's systems, to which the interchange should be routed. It is recommended that the GLN be used for this purpose.

DE 0007: Identification (e.g. a division) specified by the recipient of the interchange, to be included if agreed, by the sender in response interchanges, to facilitate internal routing.

DE S004: The date and time specified in this composite should be the date and time at which the interchange sender prepared the interchange. This date and time may not necessarily be the same as the date and time of contained messages.

DE 0020: The interchange control reference number is generated by the interchange sender and is used to identify uniquely each interchange. Should the interchange sender wish to re-use interchange control reference numbers, it is recommended that each number be preserved for at least a period of three months before being re-used. In order to guarantee uniqueness, the interchange control reference number should always be linked to the interchange sender's identification (DE 0004).

DE S005: The use of passwords must first be agreed bilaterally by the parties exchanging the

Max. Occ. = Maximum Occurrence, St = Status, * = Restricted Codes

Status: M=Mandatory, R=Required, O=Optional, C=Conditional, D=Dependent, A=Advised, N=Not used

Segment Layout

interchange.

DE 0026: This data element is used to identify the application, on the interchange recipient's system, to which the interchange is directed. This data element may only be used if the interchange contains only one type of message, (e.g. only invoices). The reference used in this data element is assigned by the interchange sender.

DE 0031: This data element is used to indicate whether an acknowledgement to the interchange is required. The EANCOM® APERAK or CONTRL message should be used to provide acknowledgement of interchange receipt. In addition, the EANCOM® CONTRL message may be used to indicate when an interchange has been rejected due to syntax errors.

DE 0032: This data element is used to identify any underlying agreements which control the exchange of data. Within EANCOM®, the identity of such agreements must start with the letters 'EANCOM', the remaining characters within the data element being filled according to bilateral agreements.

Example: UNB+UNOA:4+4012345000009:14:1+4000004000002:14:4000004000099+20151013:1043+1234555
5+REF:AA++A+1+EANCOM-DISI+1'

Example: UNB+UNOC:4+5412345678908:14+8798765432106:14+20020102:1000+12345555+++++EANCOMREF
52'

Max. Occ. = Maximum Occurrence, St = Status, * = Restricted Codes

Status: M=Mandatory, R=Required, O=Optional, C=Conditional, D=Dependent, A=Advised, N=Not used

Segment Layout

| No. Seg | St | Max. Occ. | | | |
|--|------------|------------------------------------|----------------|----|---|
| 3 | UNH | M 1 | Message header | | |
| To head, identify and specify a message. | | | | | |
| Notes: | | | | | |
| 1. Data element S009/0057 is retained for upward compatibility. The use of S016 and/or S017 is encouraged in preference. | | | | | |
| 2. The combination of the values carried in data elements 0062 and S009 shall be used to identify uniquely the message within its group (if used) or if not used, within its interchange, for the purpose of acknowledgement. | | | | | |
| Business Term | DE | EDIFACT | Format | St | * Description |
| | 0062 | Message reference number | an..14 | M | Senders unique message reference. Sequence number of the messages in the interchange. DE 0062 in the UNT will be identical. Sender generated. |
| | S009 | Message identifier | | M | |
| | 0065 | Message type | an..6 | M | * RECADV Receiving advice message |
| | 0052 | Message version number | an..3 | M | * D Draft version/ UN/EDIFACT Directory |
| | 0054 | Message release number | an..3 | M | * 01B Release 2001 - B |
| | 0051 | Controlling agency, coded | an..3 | M | * UN UN/CEFACT |
| | 0057 | Association assigned code | an..6 | R | * EAN009 GS1 version control number (GS1 Permanent Code) Indicates that the message is the EANCOM version 009 of the Receiving Advice. |
| | 0110 | Code list directory version number | an..6 | O | |
| <p>This message is used to head, identify and specify a message. DE's 0065, 0052, 0054 and 0051: Indicate that the message is a UNSM Receiving Advice based on the D.01B directory under the control of the United Nations. Example: Example: UNH+ME000001+RECADV:D:01B:UN:EAN009:X' Example: UNH+ME000001+RECADV:D:01B:UN:EAN009'</p> | | | | | |

Max. Occ. = Maximum Occurrence, St = Status, * = Restricted Codes
 Status: M=Mandatory, R=Required, O=Optional, C=Conditional, D=Dependent, A=Advised, N=Not used

Segment Layout

| No. Seg | St | Max. Occ. | | | | |
|---|------------|-----------------------------------|--|----|---|--|
| 4 | BGM | M 1 | Beginning of message To indicate the type and function of a message and to transmit the identifying number. | | | |
| Business Term | DE | EDIFACT | Format | St | * | Description |
| | C002 | Document/message name | | R | | |
| | 1001 | Document name code | an..3 | R | * | 632 Goods receipt |
| | 1131 | Code list identification code | an..17 | N | | |
| | 3055 | Code list responsible agency code | an..3 | N | | |
| | 1000 | Document name | an..35 | O | | |
| | C106 | Document/message identification | | R | | |
| | 1004 | Document identifier | an..35 | R | | Receiving Advice number assigned by the document sender. |
| | 1225 | Message function code | an..3 | R | * | 5 Replace 9 Original 27 Not accepted 29 Accepted without amendment 31 Copy |
| <p>This segment is used to indicate the type and function of a message and to transmit the identifying number. All references other than the document message number DE 1004 are to be put into the RFF segment. Example: Example: BGM+632:::1+1+5' Example: BGM+632+REC5488+9'</p> | | | | | | |

Max. Occ. = Maximum Occurrence, St = Status, * = Restricted Codes
Status: M=Mandatory, R=Required, O=Optional, C=Conditional, D=Dependent, A=Advised, N=Not used

Segment Layout

| No. Seg | St | Max. Occ. | | | | |
|---|------------|--|--|----|---|---|
| 5 | DTM | M 10 | Date/time/period To specify date, and/or time, or period. | | | |
| Business Term | DE | EDIFACT | Format | St | * | Description |
| | C507 | Date/time/period | | M | | |
| | 2005 | Date or time or period function code qualifier | an..3 | M | * | 35 Delivery date/time, actual 50 Goods receipt date/time 137 Document/message date/time 178 Arrival date/time, actual 200 Pick-up/collection date/time of cargo 369 Date and or time of handling, estimated 772 Handling start date and/or time, actual 773 Handling end date and/or time, estimated 774 Handling end date and/or time, actual 98E Discharge date/time, start (GS1 Temporary Code) |
| | 2380 | Date or time or period value | an..35 | R | | |
| | 2379 | Date or time or period format code | an..3 | R | | 102 CCYYMMDD 203 CCYYMMDDHHMM 718 CCYYMMDD-CCYYMMDD |
| <p>This segment is used to specify any dates related to the complete receiving advice message. DE 2005: Identification of the 'Document/message date/time' (code value 137) is mandatory in an EANCOM message. Example: The goods were received on the 5th of November 2002 at 4:40pm.</p> <p>Example: DTM+35:19931101:102' Example: DTM+137:20021111:102' Example: DTM+50:200211051640:203'</p> | | | | | | |

Max. Occ. = Maximum Occurrence, St = Status, * = Restricted Codes
 Status: M=Mandatory, R=Required, O=Optional, C=Conditional, D=Dependent, A=Advised, N=Not used

Segment Layout

| No. Seg | St | Max. Occ. | | | | |
|---|------------|-----------------------------|---|----|---|---|
| 6 | ALI | C 5 | Additional information To indicate that special conditions due to the origin, customs preference, fiscal or commercial factors are applicable. | | | |
| Business Term | DE | EDIFACT | Format | St | * | Description |
| | 3239 | Country of origin name code | an..3 | C | | |
| | 9213 | Duty regime type code | an..3 | N | | |
| | 4183 | Special condition code | an..3 | R | | 199 Receipt advice, fully detailed 200 Receipt advice, only exceptions |
| <p>This segment is used to specify any additional information related to the complete order. This segment is used to specify the type of receiving advice. Example: Example: ALI+++199 ' Example: ALI+++199 '</p> | | | | | | |

Max. Occ. = Maximum Occurrence, St = Status, * = Restricted Codes
Status: M=Mandatory, R=Required, O=Optional, C=Conditional, D=Dependent, A=Advised, N=Not used

Segment Layout

| No. Seg | St | Max. Occ. | | | | |
|---|------------|-----------------------------------|-----------|----|---|---|
| 7 | FTX | C 99 | Free text | | | |
| To provide free form or coded text information. | | | | | | |
| Business Term | DE | EDIFACT | Format | St | * | Description |
| | 4451 | Text subject code qualifier | an..3 | M | | AAI General information DAR Damage remarks ZZZ Mutually defined |
| | 4453 | Free text function code | an..3 | O | * | 1 Text for subsequent use 3 Text for immediate use |
| | C107 | Text reference | | D | | References to a standard text. This composite is only used when trading partners have agreed to use mutually defined code values. |
| | 4441 | Free text value code | an..17 | M | | 001 = ...standard text... |
| | 1131 | Code list identification code | an..17 | O | | |
| | 3055 | Code list responsible agency code | an..3 | D | | 91 Assigned by supplier or supplier's agent 92 Assigned by buyer or buyer's agent |
| | C108 | Text literal | | D | | This composite is only used if coded text can not be used. |
| | 4440 | Free text value | an..51 | M | | |
| | 4440 | Free text value | an..51 | O | | |
| | 4440 | Free text value | an..51 | O | | |
| | 4440 | Free text value | an..51 | O | | |
| | 4440 | Free text value | an..51 | O | | |
| | 3453 | Language name code | an..3 | D | | ISO 639 two alpha code This data element is only used when non-coded free text has been provided in data element C108. |

This segment is used to provide any free text information related to the complete message. Use of this segment in free form is not recommended since it may inhibit automatic processing of the message. Coded references to standard texts is an available functionality which enables automatic processing and reduces transmission and processing overheads. Standard texts should be mutually defined among trading partners and can be used to cover legal and other requirements.

Example:

Example: FTX+AAI+1+1E:23:6+A:A:A:A+EN'

Example: FTX+AAI+1+001::91'

Max. Occ. = Maximum Occurrence, St = Status, * = Restricted Codes

Status: M=Mandatory, R=Required, O=Optional, C=Conditional, D=Dependent, A=Advised, N=Not used

Segment Layout

| No. Seg | St | Max. Occ. | | | | |
|--|------|--------------------------|-----------|----|---|---|
| SG1 | C | 10 | RFF-DTM | | | |
| A group of segments giving references where necessary, dates relating to the whole message, e.g. despatch advice, contract number. | | | | | | |
| 8 | | | | | | |
| RFF | M | 1 | Reference | | | |
| To specify a reference. | | | | | | |
| Business Term | DE | EDIFACT | Format | St | * | Description |
| | C506 | Reference | | M | | |
| | 1153 | Reference code qualifier | an..3 | M | | AAK Despatch advice number AAU Despatch note number ALO Receiving advice number CR Customer reference number ON Order number (buyer) POR Purchase order response number PP Purchase order change number VN Order number (supplier) The code 'ALO' should only be used when the code value '5' was used in DE 1225 of the BGM segment. |
| | 1154 | Reference identifier | an..70 | R | | |
| This segment is used to specify references which apply to the whole receiving advice message. Example: Example: RFF+AAK:1' Example: RFF+AAK:533662' | | | | | | |

Max. Occ. = Maximum Occurrence, St = Status, * = Restricted Codes
 Status: M=Mandatory, R=Required, O=Optional, C=Conditional, D=Dependent, A=Advised, N=Not used

Segment Layout

| No. Seg | St | Max. Occ. | | | | |
|--|------|--|------------|----|---|-------------------------|
| SG1 | C | 10 | RFF-DTM | | | |
| A group of segments giving references where necessary, dates relating to the whole message, e.g. despatch advice, contract number. | | | | | | |
| 9 | | | DTM | C | 1 | Date/time/period |
| To specify date, and/or time, or period. | | | | | | |
| Business Term | DE | EDIFACT | Format | St | * | Description |
| | C507 | Date/time/period | | M | | |
| | 2005 | Date or time or period function code qualifier | an..3 | M | * | 171 Reference date/time |
| | 2380 | Date or time or period value | an..35 | R | | |
| | 2379 | Date or time or period format code | an..3 | R | | 102 CCYYMMDD |
| This segment is used to specify dates relating to the references given in the previous RFF segment. Example: | | | | | | |
| Example: DTM+171:19931101:102' | | | | | | |
| Example: DTM+171:20021025:102' | | | | | | |

Max. Occ. = Maximum Occurrence, St = Status, * = Restricted Codes
 Status: M=Mandatory, R=Required, O=Optional, C=Conditional, D=Dependent, A=Advised, N=Not used

Segment Layout

| No. Seg | St | Max. Occ. | | | |
|--|---|---|------------------|----|---|
| 10 | SG4 | M 99 | NAD-SG5-SG6 | | |
| | A group of segments identifying names, addresses and locations, relevant to the whole Receiving advice. | | | | |
| | NAD | M 1 | Name and address | | |
| To specify the name/address and their related function, either by C082 only and/or unstructured by C058 or structured by C080 thru 3207. | | | | | |
| Business Term | DE | EDIFACT | Format | St | * Description |
| | 3035 | Party function code qualifier | an..3 | M | BY Buyer DP Delivery party DEQ Shipper SU Supplier UC Ultimate consignee |
| | C082 | Party identification details | | A | |
| | 3039 | Party identifier | an..35 | M | |
| | 1131 | Code list identification code | an..17 | N | |
| | 3055 | Code list responsible agency code | an..3 | R | * 9 GS1 |
| | C058 | Name and address | | O | This composite may only be used to fulfill the requirements of directive 2003/58/EC, article 4. |
| | 3124 | Name and address description | an..35 | M | |
| | 3124 | Name and address description | an..35 | O | |
| | 3124 | Name and address description | an..35 | O | |
| | 3124 | Name and address description | an..35 | O | |
| | 3124 | Name and address description | an..35 | O | |
| | C080 | Party name | | D | |
| | 3036 | Party name | an..35 | M | Party Name in clear text. |
| | 3036 | Party name | an..35 | O | |
| | 3036 | Party name | an..35 | O | |
| | 3036 | Party name | an..35 | O | |
| | 3036 | Party name | an..35 | O | |
| | 3045 | Party name format code | an..3 | O | |
| | C059 | Street | | D | |
| | 3042 | Street and number or post office box identifier | an..35 | M | Building Name/Number and Street Name and/or P.O. Box |
| | 3042 | Street and number or post office box identifier | an..35 | O | |

Max. Occ. = Maximum Occurrence, St = Status, * = Restricted Codes
 Status: M=Mandatory, R=Required, O=Optional, C=Conditional, D=Dependent, A=Advised, N=Not used

Segment Layout

| Business Term | DE | EDIFACT | Format | St | * | Description |
|---------------|------|---|--------|----|---|-----------------------------|
| | 3042 | Street and number or post office box identifier | an..35 | O | | |
| | 3042 | Street and number or post office box identifier | an..35 | O | | |
| | 3164 | City name | an..35 | D | | City/Town, clear text. |
| | C819 | Country sub-entity details | | D | | |
| | 3229 | Country sub-entity name code | an..9 | O | | |
| | 1131 | Code list identification code | an..17 | O | | |
| | 3055 | Code list responsible agency code | an..3 | O | | |
| | 3228 | Country sub-entity name | an..70 | O | | County/State in clear text. |
| | 3251 | Postal identification code | an..17 | D | | Postal Code |
| | 3207 | Country name code | an..3 | D | | ISO 3166 two alpha code |

This segment is used to identify the trading partners involved in the Receiving Advice message. Identification of the sender and recipient of the goods is mandatory in the Receiving Advice.

Example:

Dependency Notes:

The following composites and data elements are only used when a coded name and address can not be used. The affected composites and data elements are as follows:

C080 - C059 - 3164 - C819 - 3251 - 3207

Example: NAD+SU+15::9+X:::X+A:A:A:A:1+A:A:A:X+A:A:23:2:X+A+GB'

Example: NAD+BY+5412345000013::9'

Example: NAD+SU+5412345000020::9'

Max. Occ. = Maximum Occurrence, St = Status, * = Restricted Codes

Status: M=Mandatory, R=Required, O=Optional, C=Conditional, D=Dependent, A=Advised, N=Not used

Segment Layout

| No. | Seg | St | Max. Occ. | | | |
|---|---|--------------------------|-----------|-------------|---|--|
| | SG4 | M | 99 | NAD-SG5-SG6 | | |
| | A group of segments identifying names, addresses and locations, relevant to the whole Receiving advice. | | | | | |
| | SG5 | C | 10 | RFF | | |
| | A group of segments giving references only relevant to the specified party rather than the whole message. | | | | | |
| 11 | RFF | M | 1 | Reference | | |
| | To specify a reference. | | | | | |
| Business Term | DE | EDIFACT | Format | St | * | Description |
| | C506 | Reference | | M | | |
| | 1153 | Reference code qualifier | an..3 | M | * | AMT Goods and Services Tax identification number FC Fiscal number GN Government reference number VA VAT registration number YC1 Additional party identification (GS1 Temporary Code) |
| | 1154 | Reference identifier | an..70 | R | | |
| This segment is used to specify references related to the party identified in the previous NAD segment. Example: Example: RFF+VA:1' Example: RFF+VA:AF48776' | | | | | | |

Max. Occ. = Maximum Occurrence, St = Status, * = Restricted Codes
 Status: M=Mandatory, R=Required, O=Optional, C=Conditional, D=Dependent, A=Advised, N=Not used

Segment Layout

| No. Seg | St | Max. Occ. | | | | |
|--|------------|----------------------------------|-------------|---------------------|---|----------------------------|
| SG4 | M | 99 | NAD-SG5-SG6 | | | |
| A group of segments identifying names, addresses and locations, relevant to the whole Receiving advice. | | | | | | |
| SG6 | C | 10 | CTA-COM | | | |
| A group of segments giving contact details of the specific person or department within the party identified in the NAD segment. | | | | | | |
| 12 | CTA | M | 1 | Contact information | | |
| To identify a person or a department to whom communication should be directed. | | | | | | |
| Business Term | DE | EDIFACT | Format | St | * | Description |
| | 3139 | Contact function code | an..3 | R | | GR Goods receiving contact |
| | C056 | Department or employee details | | O | | |
| | 3413 | Department or employee name code | an..17 | O | | |
| | 3412 | Department or employee name | an..35 | O | | |
| <p>This segment is used to identify contact name and/or department within the party specified in the NAD segment. The Global Location Number GLN - Format n13 - is particularly suitable for this purpose. Example: Example: CTA+AD+1:1' Example: CTA+GR+:C SANCHEZ'</p> | | | | | | |

Max. Occ. = Maximum Occurrence, St = Status, * = Restricted Codes
 Status: M=Mandatory, R=Required, O=Optional, C=Conditional, D=Dependent, A=Advised, N=Not used

Segment Layout

| No. Seg | St | Max. Occ. | | | | |
|---|------------|--------------------------------------|-------------|-----------------------|---|--|
| SG4 | M | 99 | NAD-SG5-SG6 | | | |
| A group of segments identifying names, addresses and locations, relevant to the whole Receiving advice. | | | | | | |
| SG6 | C | 10 | CTA-COM | | | |
| A group of segments giving contact details of the specific person or department within the party identified in the NAD segment. | | | | | | |
| 13 | COM | C | 5 | Communication contact | | |
| To identify a communication number of a department or a person to whom communication should be directed. | | | | | | |
| Business Term | DE | EDIFACT | Format | St | * | Description |
| | C076 | Communication contact | | M | | |
| | 3148 | Communication address identifier | an..51 | M | | |
| | 3155 | Communication address code qualifier | an..3 | M | | AO Uniform Resource Location (URL) EI EDI EM Electronic mail TE Telephone |
| <p>This segment identifies the communications number, and type of communications, for the person and/or department identified in the preceding CTA segment.</p> <p>Example:</p> <p>Example: COM+1:TE '</p> <p>Example: COM+00445885521:TE '</p> | | | | | | |

Max. Occ. = Maximum Occurrence, St = Status, * = Restricted Codes

Status: M=Mandatory, R=Required, O=Optional, C=Conditional, D=Dependent, A=Advised, N=Not used

Segment Layout

| No. Seg | St | Max. Occ. | | | |
|---------------|-------------|--|----------------------|--|---|
| 14 | SG10 | C 10 | TDT | A group of segments specifying details of the mode and means of transport. | |
| | TDT | M 1 | Details of transport | To specify the transport details such as mode of transport, means of transport, its conveyance reference number and the identification of the means of transport. The segment may be pointed to by the TPL segment. | |
| Business Term | DE | EDIFACT | Format | St * | Description |
| | 8051 | Transport stage code qualifier | an..3 | M | 20 Main-carriage transport |
| | 8028 | Means of transport journey identifier | an..17 | O | Reference number covering the transport. |
| | C220 | Mode of transport | | A | |
| | 8067 | Transport mode name code | an..3 | R | |
| | C228 | Transport means | | O | Data Elements 8179 and 8178 are only used when the type of transport must be specifically identified, that is, when a generic description such as road transport is unsuitable. |
| | 8179 | Transport means description code | an..8 | D | 23 Rail bulk car 31 Truck |
| | 8178 | Transport means description | an..17 | D | |
| | C040 | Carrier | | O | |
| | 3127 | Carrier identifier | an..17 | A | Global Location Number GLN - Format n13 |
| | 1131 | Code list identification code | an..17 | O | |
| | 3055 | Code list responsible agency code | an..3 | D | 9 GS1 |
| | 3128 | Carrier name | an..35 | O | |
| | 8101 | Transit direction indicator code | an..3 | O | BS Buyer to supplier SB Supplier to buyer |
| | C401 | Excess transportation information | | N | |
| | 8457 | Excess transportation reason code | an..3 | | |
| | C222 | Transport identification | | O | |
| | 8213 | Transport means identification name identifier | an..9 | O | |
| | 1131 | Code list identification code | an..17 | O | |
| | 3055 | Code list responsible agency code | an..3 | D | DE 3055 must be used if DE 8213 is used. |

Max. Occ. = Maximum Occurrence, St = Status, * = Restricted Codes
 Status: M=Mandatory, R=Required, O=Optional, C=Conditional, D=Dependent, A=Advised, N=Not used

Segment Layout

| Business Term | DE | EDIFACT | Format | St | * | Description |
|---------------|------|-------------------------------------|--------|----|---|---------------------------------------|
| | 8212 | Transport means identification name | an..35 | R | | Vehicle licence plate/Aircraft number |
| | 8453 | Transport means nationality code | an..3 | O | | ISO 3166 two alpha code |

This segment is used to specify the transport details used to deliver the goods detailed in the receiving advice message.

Example:

Example: TDT+1+1+0+1:1+1:23:9:1+BS++1:23:2:1:GB'

Example: TDT+20++30+31'

Max. Occ. = Maximum Occurrence, St = Status, * = Restricted Codes

Status: M=Mandatory, R=Required, O=Optional, C=Conditional, D=Dependent, A=Advised, N=Not used

Segment Layout

| No. Seg | St | Max. Occ. | | | | |
|--|------------|---|-------------------|----|---|--|
| SG11 | C | 9999 | EQD-SG13 | | | |
| A group of segments identifying equipment with which a problem has occurred or if required by the recipient of the message for further identification. | | | | | | |
| 15 | EQD | M 1 | Equipment details | | | |
| To identify a unit of equipment. | | | | | | |
| Business Term | DE | EDIFACT | Format | St | * | Description |
| | 8053 | Equipment type code qualifier | an..3 | M | | CN Container TE Trailer |
| | C237 | Equipment identification | | O | | |
| | 8260 | Equipment identifier | an..17 | A | | |
| | 1131 | Code list identification code | an..17 | O | | |
| | 3055 | Code list responsible agency code | an..3 | D | | 87 Assigned by carrier This data element must be used if DE8260 is used. |
| | 3207 | Country name code | an..3 | O | | |
| | C224 | Equipment size and type | | O | | |
| | 8155 | Equipment size and type description code | an..10 | O | | |
| | 1131 | Code list identification code | an..17 | O | | |
| | 3055 | Code list responsible agency code | an..3 | D | | This data element must be used if no UN/EDIFACT code is used in DE 8155. |
| | 8154 | Equipment size and type description | an..35 | O | | |
| | 8077 | Equipment supplier code | an..3 | O | | |
| | 8249 | Equipment status code | an..3 | O | | |
| | 8169 | Full or empty indicator code | an..3 | O | | |
| <p>This segment is used to provide information on equipment which has been used in the despatch of the products ordered.</p> <p>Example:</p> <p>Example: EQD+08+X:23:87:AD+1:23:2:X+1+4E+1'</p> <p>Example: EQD+TE+93219:.:87'</p> | | | | | | |

Max. Occ. = Maximum Occurrence, St = Status, * = Restricted Codes

Status: M=Mandatory, R=Required, O=Optional, C=Conditional, D=Dependent, A=Advised, N=Not used

Segment Layout

| No. Seg | St | Max. Occ. | | | | |
|---|------------|-----------------------------------|----------|-------------|---|---|
| SG11 | C | 9999 | EQD-SG13 | | | |
| A group of segments identifying equipment with which a problem has occurred or if required by the recipient of the message for further identification. | | | | | | |
| SG13 | C | 25 | SEL-CDI | | | |
| A group of segments identifying the seal number and reporting anomalies. | | | | | | |
| 16 | SEL | M | 1 | Seal number | | |
| To specify the seal number or a range of seal numbers. | | | | | | |
| Business Term | DE | EDIFACT | Format | St | * | Description |
| | 9308 | Seal identifier | an..35 | R | | |
| | C215 | Seal issuer | | R | | |
| | 9303 | Sealing party name code | an..3 | R | | CA Carrier CU Customs |
| | 1131 | Code list identification code | an..17 | O | | |
| | 3055 | Code list responsible agency code | an..3 | D | | 9 GS1 This data element must be used if no UN/EDIFACT code is used in DE 9303. |
| | 9302 | Sealing party name | an..35 | O | | |
| <p>This segment is used to specify a seal number which is connected to the equipment identified in the EQD segment.</p> <p>Example:</p> <p>Example: SEL+X+CA:23:9:X'</p> <p>Example: SEL+2167+CU'</p> | | | | | | |

Max. Occ. = Maximum Occurrence, St = Status, * = Restricted Codes
 Status: M=Mandatory, R=Required, O=Optional, C=Conditional, D=Dependent, A=Advised, N=Not used

Segment Layout

| No. Seg | St | Max. Occ. | | | | |
|--|------------|---|---------------------------|----|---|---|
| SG11 | C | 9999 | EQD-SG13 | | | |
| A group of segments identifying equipment with which a problem has occurred or if required by the recipient of the message for further identification. | | | | | | |
| SG13 | C | 25 | SEL-CDI | | | |
| A group of segments identifying the seal number and reporting anomalies. | | | | | | |
| 17 | CDI | M 10 | Physical or logical state | | | |
| To describe a physical or logical state. | | | | | | |
| Business Term | DE | EDIFACT | Format | St | * | Description |
| | 7001 | Physical or logical state type code qualifier | an..3 | M | * | 1 Upon receipt |
| | C564 | Physical or logical state information | | M | | |
| | 7007 | Physical or logical state description code | an..3 | R | | 4 Damaged |
| | 1131 | Code list identification code | an..17 | O | | |
| | 3055 | Code list responsible agency code | an..3 | D | | 9 GS1 This data element must be used if no UN/EDIFACT code is used in DE 7007. |
| | 7006 | Physical or logical state description | an..70 | O | | |
| <p>This segment is used to specify the physical state of the seal number. Example: Example: CDI+1+4:23:9:X' Example: CDI+1+4'</p> | | | | | | |

Max. Occ. = Maximum Occurrence, St = Status, * = Restricted Codes
 Status: M=Mandatory, R=Required, O=Optional, C=Conditional, D=Dependent, A=Advised, N=Not used

Segment Layout

| No. Seg | St | Max. Occ. | | | |
|--|------------|--|---|----|-----------------------------------|
| SG16 | C | 9999 | CPS-SG17-SG22 | | |
| | | | A group of segments providing details of all packages and/or individual items as received. This segment group provides the capability to give the top-down hierarchical relationship of the package levels. | | |
| 18 | CPS | M 1 | Consignment packing sequence | | |
| | | | To identify the sequence in which physical packing is presented in the consignment, and optionally to identify the hierarchical relationship between packing layers. | | |
| Business Term | DE | EDIFACT | Format | St | * Description |
| | 7164 | Hierarchical structure level identifier | an..35 | M | Sequential numbering recommended. |
| | 7166 | Hierarchical structure parent identifier | an..35 | A | |
| <p>This segment is used to provide a detailed description of the packaging of the goods. Example: Example: CPS+1+1 ' Example: CPS+1 '</p> | | | | | |

Max. Occ. = Maximum Occurrence, St = Status, * = Restricted Codes
 Status: M=Mandatory, R=Required, O=Optional, C=Conditional, D=Dependent, A=Advised, N=Not used

Segment Layout

| No. Seg | St | Max. Occ. | | | | |
|---|------------|-------------------------------------|---------------|----|---|---|
| SG16 | C | 9999 | CPS-SG17-SG22 | | | |
| A group of segments providing details of all packages and/or individual items as received. This segment group provides the capability to give the top-down hierarchical relationship of the package levels. | | | | | | |
| SG17 | C | 9999 | PAC-QVR-SG18 | | | |
| A group of segments identifying packaging, quantities and marks and numbers. | | | | | | |
| 19 | PAC | M 1 | Package | | | |
| To describe the number and type of packages/physical units. | | | | | | |
| Business Term | DE | EDIFACT | Format | St | * | Description |
| | 7224 | Package quantity | n..8 | D | | In the "advice discrepancies" scenario this data element should be used when quantity variances at the package level have to be reported and carry the number of packages that were actually received. In the "confirmation of receipt of goods" scenario, this data element may carry the number of packages that were received. |
| | C531 | Packaging details | | C | | |
| | 7075 | Packaging level code | an..3 | N | | |
| | 7233 | Packaging related description code | an..3 | O | | 50 Package barcoded EAN-13 or EAN-8 51 Package barcoded ITF-14 52 Package barcoded UCC or EAN-128 |
| | 7073 | Packaging terms and conditions code | an..3 | O | | 1 Packaging cost paid by supplier 2 Packaging cost paid by recipient 3 Packaging cost not charged (returnable) |
| | C202 | Package type | | O | | |
| | 7065 | Package type description code | an..17 | A | | 09 Returnable pallet (GS1 Temporary Code) 201 Pallet ISO 1 - 1/1 EURO Pallet (GS1 Temporary Code) |
| | 1131 | Code list identification code | an..17 | O | | |
| | 3055 | Code list responsible agency code | an..3 | D | | 9 GS1 |
| | 7064 | Type of packages | an..35 | O | | |

Max. Occ. = Maximum Occurrence, St = Status, * = Restricted Codes
 Status: M=Mandatory, R=Required, O=Optional, C=Conditional, D=Dependent, A=Advised, N=Not used

Segment Layout

| Business Term | DE | EDIFACT | Format | St | * | Description |
|---|------|--|--------|----|---|--|
| | C402 | Package type identification | | N | | |
| | 7077 | Description format code | an..3 | | | |
| | C532 | Returnable package details | | D | | Composite C532 is only used where the packaging being described is returnable. This composite identifies who is responsible for payment of its return. |
| | 8395 | Returnable package freight payment responsibility code | an..3 | O | | 1 Paid by customer 2 Free 3 Paid by supplier |
| <p>This segment is used to identify the total number of packages and package types for the hierarchical level identified in the CPS segment. Please refer to the 'Structure of the Receiving Advice Message' section in the introduction for details on the use of the PAC segment. Example: Example: PAC+1+:50:1+AE:23:9:1++1' Example: PAC+10++201: :9'</p> | | | | | | |

Max. Occ. = Maximum Occurrence, St = Status, * = Restricted Codes
Status: M=Mandatory, R=Required, O=Optional, C=Conditional, D=Dependent, A=Advised, N=Not used

Segment Layout

| No. Seg | St | Max. Occ. | | | | |
|---|------------|--|---------------|--------------------|---|---|
| SG16 | C | 9999 | CPS-SG17-SG22 | | | |
| A group of segments providing details of all packages and/or individual items as received. This segment group provides the capability to give the top-down hierarchical relationship of the package levels. | | | | | | |
| SG17 | C | 9999 | PAC-QVR-SG18 | | | |
| A group of segments identifying packaging, quantities and marks and numbers. | | | | | | |
| 20 | QVR | C | 1 | Quantity variances | | |
| To specify item details relating to quantity variances. | | | | | | |
| Business Term | DE | EDIFACT | Format | St | * | Description |
| | C279 | Quantity difference information | | R | | |
| | 6064 | Quantity variance value | n..15 | M | | Specify the actual variance amount here. |
| | 6063 | Quantity type code qualifier | an..3 | R | | 124 Damaged goods |
| | 4221 | Discrepancy nature identification code | an..3 | O | | |
| | C960 | Reason for change | | O | | |
| | 4295 | Change reason description code | an..3 | O | | BH Batch number difference BI Expiry date difference BJ Item identification code unknown BN Temperature outside agreed range PC Pack difference |
| | 1131 | Code list identification code | an..17 | O | | |
| | 3055 | Code list responsible agency code | an..3 | D | | 9 GS1 |
| | 4294 | Change reason description | an..35 | O | | |
| <p>This segment is used to indicate quantity variances related to the currently identified package. For negative values (e.g. damaged goods not accepted) the variance must be expressed as negative.</p> <p>Example:</p> <p>Example: QVR+1:1+BK+BJ:23:9:1'</p> <p>Example: QVR+-40:124++BN::9'</p> | | | | | | |

Max. Occ. = Maximum Occurrence, St = Status, * = Restricted Codes
 Status: M=Mandatory, R=Required, O=Optional, C=Conditional, D=Dependent, A=Advised, N=Not used

Segment Layout

| No. Seg | St | Max. Occ. | | | | |
|--|------------|----------------------------|------------------------|----|---|--|
| SG16 | C | 9999 | CPS-SG17-SG22 | | | |
| A group of segments providing details of all packages and/or individual items as received. This segment group provides the capability to give the top-down hierarchical relationship of the package levels. | | | | | | |
| SG17 | C | 9999 | PAC-QVR-SG18 | | | |
| A group of segments identifying packaging, quantities and marks and numbers. | | | | | | |
| SG18 | C | 999 | PCI-SG20 | | | |
| A group of segments specifying markings and labels. | | | | | | |
| 21 | PCI | M 1 | Package identification | | | |
| To specify markings and labels on individual packages or physical units. | | | | | | |
| Business Term | DE | EDIFACT | Format | St | * | Description |
| | 4233 | Marking instructions code | an..3 | R | | 17 Supplier's instructions 39 Marked with Serial Shipping Container Code (SSCC) |
| | C210 | Marks & labels | | O | | |
| | 7102 | Shipping marks description | an..35 | M | | |
| | 7102 | Shipping marks description | an..35 | O | | |
| | 7102 | Shipping marks description | an..35 | O | | |
| | 7102 | Shipping marks description | an..35 | O | | |
| | 7102 | Shipping marks description | an..35 | O | | |
| | 7102 | Shipping marks description | an..35 | O | | |
| | 7102 | Shipping marks description | an..35 | O | | |
| | 7102 | Shipping marks description | an..35 | O | | |
| | 7102 | Shipping marks description | an..35 | O | | |
| <p>This segment is used to provide markings and labels information relevant to the packaging unit identified in the PAC segment.</p> <p>The segment may be used to provide labelling information on shipping containers not known by the receiver of the goods.</p> <p>Example:</p> <p>Example: PCI+17+1:1:1:1:1:1:1:1:1:1'</p> <p>Example: PCI+17+CONTAINER ABN54421'</p> | | | | | | |

Max. Occ. = Maximum Occurrence, St = Status, * = Restricted Codes
 Status: M=Mandatory, R=Required, O=Optional, C=Conditional, D=Dependent, A=Advised, N=Not used

Segment Layout

| No. Seg | St | Max. Occ. | |
|---|------------|-----------|-----------------------|
| SG16 | C | 9999 | CPS-SG17-SG22 |
| A group of segments providing details of all packages and/or individual items as received. This segment group provides the capability to give the top-down hierarchical relationship of the package levels. | | | |
| SG17 | C | 9999 | PAC-QVR-SG18 |
| A group of segments identifying packaging, quantities and marks and numbers. | | | |
| SG18 | C | 999 | PCI-SG20 |
| A group of segments specifying markings and labels. | | | |
| SG20 | C | 999 | GIN |
| A group of segments giving package identification numbers. | | | |
| 22 | GIN | M 1 | Goods identity number |
| To give specific identification numbers, either as single numbers or ranges. | | | |

| Business Term | DE | EDIFACT | Format | St | * | Description |
|---------------|------|--------------------------------------|--------|----|---|--|
| | 7405 | Object identification code qualifier | an..3 | M | | AW Serial shipping container code BJ Serial shipping container code |
| | C208 | Identity number range | | M | | |
| | 7402 | Object identifier | an..35 | M | | |
| | 7402 | Object identifier | an..35 | O | | |
| | C208 | Identity number range | | O | | |
| | 7402 | Object identifier | an..35 | M | | |
| | 7402 | Object identifier | an..35 | O | | |
| | C208 | Identity number range | | O | | |
| | 7402 | Object identifier | an..35 | M | | |
| | 7402 | Object identifier | an..35 | O | | |
| | C208 | Identity number range | | O | | |
| | 7402 | Object identifier | an..35 | M | | |
| | 7402 | Object identifier | an..35 | O | | |
| | C208 | Identity number range | | O | | |
| | 7402 | Object identifier | an..35 | M | | |
| | 7402 | Object identifier | an..35 | O | | |

This segment is used to provide identification numbers relevant to the packaging unit identified in the PAC segment.

DE C208: If a sequential series of identity numbers is provided (e.g., 1 up to and including 10) only one repetition of the C208 composite is needed with the first repetition of 7402 specifying the numerically smaller identity number (e.g., 1) and the second repetition the larger identity number (e.g., 10). If identity numbers are not sequential and part of a series (e.g., 1, 3, and 10) then a separate C208 and DE 7402 must be used for each identity number.

In EANCOM it is recommended to use the Serial Shipping Container Code (SSCC) for unique

Max. Occ. = Maximum Occurrence, St = Status, * = Restricted Codes

Status: M=Mandatory, R=Required, O=Optional, C=Conditional, D=Dependent, A=Advised, N=Not used

Segment Layout

identification of individual transport packages.

Example:

Example: GIN+AW+1:1+1:1+1:1+1:1+1:1'

Example: GIN+AW+35412345000000014'

Segment Layout

| No. Seg | St | Max. Occ. | | | |
|--|------------|---|---------------------------------------|----|---|
| SG16 | C | 9999 | CPS-SG17-SG22 | | |
| A group of segments providing details of all packages and/or individual items as received. This segment group provides the capability to give the top-down hierarchical relationship of the package levels. | | | | | |
| SG22 | C | 9999 | LIN-PIA-IMD-QTY-QVR-DTM-FTX-SG28-SG29 | | |
| A group of segments providing details of the product or service received. | | | | | |
| 23 | LIN | M 1 | Line item | | |
| To identify a line item and configuration. | | | | | |
| Business Term | DE | EDIFACT | Format | St | * Description |
| | 1082 | Line item identifier | an..6 | R | Application generated number of the line item within the Receiving Advice. |
| | 1229 | Action request/ notification description code | an..3 | N | |
| | C212 | Item number identification | | D | |
| | 7140 | Item identifier | an..35 | R | Format n..14 GTIN - this is the number of the article which has been received. |
| | 7143 | Item type identification code | an..3 | R | * SRV GS1 Global Trade Item Number |
| | C829 | Sub-line information | | D | |
| | 5495 | Sub-line indicator code | an..3 | R | * 1 Sub-line information |
| | 1082 | Line item identifier | an..6 | R | |
| <p>This segment is used to identify the product received. Example: Dependency Notes: C829 is only used when sub-lines are required. FOR A COMPLETE DESCRIPTION ON THE USAGE OF SUB-LINES PLEASE REFER TO PART I, SECTION 4.10.</p> <p>Example: LIN+1++1:SRV+1:1' Example: LIN+1++5412345123453:SRV'</p> | | | | | |

Max. Occ. = Maximum Occurrence, St = Status, * = Restricted Codes
 Status: M=Mandatory, R=Required, O=Optional, C=Conditional, D=Dependent, A=Advised, N=Not used

Segment Layout

| No. Seg | St | Max. Occ. | | | | |
|---|------------|-----------------------------------|---------------------------------------|---|---|---|
| SG16 | C | 9999 | CPS-SG17-SG22 | | | |
| A group of segments providing details of all packages and/or individual items as received. This segment group provides the capability to give the top-down hierarchical relationship of the package levels. | | | | | | |
| SG22 | C | 9999 | LIN-PIA-IMD-QTY-QVR-DTM-FTX-SG28-SG29 | | | |
| A group of segments providing details of the product or service received. | | | | | | |
| 24 | PIA | C | 10 | Additional product id To specify additional or substitutional item identification codes. | | |
| Business Term | DE | EDIFACT | Format | St | * | Description |
| | 4347 | Product identifier code qualifier | an..3 | M | * | 1 Additional identification 5 Product identification |
| | C212 | Item number identification | | M | | |
| | 7140 | Item identifier | an..35 | R | | |
| | 7143 | Item type identification code | an..3 | R | | AC HIBC (Health Industry Bar Code) IB ISBN (International Standard Book Number) IN Buyer's item number PV Promotional variant number SA Supplier's article number SRV GS1 Global Trade Item Number |
| | 1131 | Code list identification code | an..17 | O | | |
| | 3055 | Code list responsible agency code | an..3 | D | | 9 GS1 91 Assigned by supplier or supplier's agent 92 Assigned by buyer or buyer's agent |
| | C212 | Item number identification | | O | | |
| | 7140 | Item identifier | an..35 | R | | |
| | 7143 | Item type identification code | an..3 | R | | |
| | 1131 | Code list identification code | an..17 | O | | |
| | 3055 | Code list responsible agency code | an..3 | D | | |
| | C212 | Item number identification | | O | | |
| | 7140 | Item identifier | an..35 | R | | |

Max. Occ. = Maximum Occurrence, St = Status, * = Restricted Codes
 Status: M=Mandatory, R=Required, O=Optional, C=Conditional, D=Dependent, A=Advised, N=Not used

Segment Layout

| Business Term | DE | EDIFACT | Format | St | * | Description |
|---------------|------|-----------------------------------|--------|----|---|-------------|
| | 7143 | Item type identification code | an..3 | R | | |
| | 1131 | Code list identification code | an..17 | O | | |
| | 3055 | Code list responsible agency code | an..3 | D | | |
| | C212 | Item number identification | | O | | |
| | 7140 | Item identifier | an..35 | R | | |
| | 7143 | Item type identification code | an..3 | R | | |
| | 1131 | Code list identification code | an..17 | O | | |
| | 3055 | Code list responsible agency code | an..3 | D | | |
| | C212 | Item number identification | | O | | |
| | 7140 | Item identifier | an..35 | R | | |
| | 7143 | Item type identification code | an..3 | R | | |
| | 1131 | Code list identification code | an..17 | O | | |
| | 3055 | Code list responsible agency code | an..3 | D | | |

This segment is used to specify additional product codes for the current line item.

Examples:

In this example the PIA segment is used to provide an additional identification to the GTIN provided in the LIN segment. The GTIN 5412345123453 provided in the LIN segment refers to the internal buyer's item number AB5124.

This example details the HIBC code 2209953C001L which is provided as the primary product code because no GTIN was provided in the LIN segment.

Example: PIA+1+1:AA:23:9+1:AA:23:2+1:AA:23:2+1:AA:23:2+1:AA:23:2'

Example: PIA+1+AB5124:IN'

Example: PIA+5+2209953C001L:AC'

Max. Occ. = Maximum Occurrence, St = Status, * = Restricted Codes

Status: M=Mandatory, R=Required, O=Optional, C=Conditional, D=Dependent, A=Advised, N=Not used

Segment Layout

| No. Seg | St | Max. Occ. | | | | |
|---|------------|-----------------------------------|---------------------------------------|----|---------------|--|
| SG16 | C | 9999 | CPS-SG17-SG22 | | | |
| A group of segments providing details of all packages and/or individual items as received. This segment group provides the capability to give the top-down hierarchical relationship of the package levels. | | | | | | |
| SG22 | C | 9999 | LIN-PIA-IMD-QTY-QVR-DTM-FTX-SG28-SG29 | | | |
| A group of segments providing details of the product or service received. | | | | | | |
| 25 | IMD | C 25 | Item description | | | |
| To describe an item in either an industry or free format. | | | | | | |
| Business Term | DE | EDIFACT | Format | St | * Description | |
| | 7077 | Description format code | an..3 | O | * | A Free-form long description B Code and text C Code (from industry code list) E Free-form short description F Free-form S Structured (from industry code list) |
| | C272 | Item characteristic | | O | | |
| | 7081 | Item characteristic code | an..3 | R | | |
| | 1131 | Code list identification code | an..17 | O | | |
| | 3055 | Code list responsible agency code | an..3 | D | * | 9 GS1 Must be used if DE7081 contains an GS1 code. |
| | C273 | Item description | | A | | |
| | 7009 | Item description code | an..17 | O | | CU Consumer unit (GS1 Permanent Code) DU Despatch unit (GS1 Permanent Code) RC Returnable container (GS1 Permanent Code) TU Traded unit (GS1 Permanent Code) VQ Variable quantity product (GS1 Permanent Code) SER Service (GS1 Permanent Code) |
| | 1131 | Code list identification code | an..17 | O | | |
| | 3055 | Code list responsible agency code | an..3 | D | | 9 GS1 91 Assigned by supplier or supplier's agent 92 Assigned by buyer |

Max. Occ. = Maximum Occurrence, St = Status, * = Restricted Codes
 Status: M=Mandatory, R=Required, O=Optional, C=Conditional, D=Dependent, A=Advised, N=Not used

Segment Layout

| Business Term | DE | EDIFACT | Format | St | * | Description |
|---------------|------|--------------------|--------|----|---|------------------|
| | | | | | | or buyer's agent |
| | 7008 | Item description | an..25 | O | | |
| | 7008 | Item description | an..25 | O | | |
| | 3453 | Language name code | an..3 | O | | |

This segment is used to provide a description for the current line item. It is recommended that this segment only be used for coded descriptions. Data element 7008 in clear text should only be used when no product code is available or when free-form descriptions are required by trading partners to communicate basic product descriptions. GS1 recommends that free text product description be provided in the EANCOM price/sales catalogue (PRICAT) and there after referred to using a GTIN. If you wish to indicate that promotional details are marked on the package, then this should be indicated in DE 7233 in the PAC segment.

Example: IMD+F+4:::9+CU:::9:CORN CRUNCHIES:CASE:EN'

Example: IMD+C++TU:::9'

Example: IMD+F++:::CORN CRUNCHIES:CASE'

Segment Layout

| No. Seg | St | Max. Occ. | | | |
|---|------------|------------------------------|---------------------------------------|----------|--|
| SG16 | C | 9999 | CPS-SG17-SG22 | | |
| A group of segments providing details of all packages and/or individual items as received. This segment group provides the capability to give the top-down hierarchical relationship of the package levels. | | | | | |
| SG22 | C | 9999 | LIN-PIA-IMD-QTY-QVR-DTM-FTX-SG28-SG29 | | |
| A group of segments providing details of the product or service received. | | | | | |
| 26 | QTY | C | 10 | Quantity | |
| To specify a pertinent quantity. | | | | | |
| Business Term | DE | EDIFACT | Format | St | * Description |
| | C186 | Quantity details | | M | |
| | 6063 | Quantity type code qualifier | an..3 | M | * 12 Despatch quantity 21 Ordered quantity 46 Delivered quantity 48 Received quantity 59 Number of consumer units in the traded unit 66 Committed quantity 192 Free goods quantity 194 Received and accepted |
| | 6060 | Quantity | an..35 | M | |
| | 6411 | Measurement unit code | an..3 | D | This DE is only used if the current product is of variable quantity. |
| This segment is used to specify any quantities related to the current line item. Example: Example: QTY+12:1:KGM' Example: QTY+194:150' | | | | | |

Max. Occ. = Maximum Occurrence, St = Status, * = Restricted Codes
Status: M=Mandatory, R=Required, O=Optional, C=Conditional, D=Dependent, A=Advised, N=Not used

Segment Layout

| No. Seg | St | Max. Occ. | | | | |
|---|------------|--|---------------------------------------|--------------------|---|---|
| SG16 | C | 9999 | CPS-SG17-SG22 | | | |
| A group of segments providing details of all packages and/or individual items as received. This segment group provides the capability to give the top-down hierarchical relationship of the package levels. | | | | | | |
| SG22 | C | 9999 | LIN-PIA-IMD-QTY-QVR-DTM-FTX-SG28-SG29 | | | |
| A group of segments providing details of the product or service received. | | | | | | |
| 27 | QVR | C | 10 | Quantity variances | | |
| To specify item details relating to quantity variances. | | | | | | |
| Business Term | DE | EDIFACT | Format | St | * | Description |
| | C279 | Quantity difference information | | R | | |
| | 6064 | Quantity variance value | n..15 | M | | Specify the actual variance amount here. |
| | 6063 | Quantity type code qualifier | an..3 | R | | 12 Despatch quantity 21 Ordered quantity 46 Delivered quantity 195 Received, not accepted, to be returned 196 Received, not accepted, to be destroyed |
| | 4221 | Discrepancy nature identification code | an..3 | O | | AC Over-shipped AE Delivered but not advised AF Goods delivered damaged AG Delivered too late BP Shipment partial - back order to follow CP Shipment partial - considered complete, no backorder |
| | C960 | Reason for change | | O | | |
| | 4295 | Change reason description code | an..3 | R | | AT Item not ordered BB Transport means technical failure BC Equipment technical failure BE Goods technical failure BH Batch number difference BI Expiry date difference BJ Item identification code unknown BN Temperature |

Max. Occ. = Maximum Occurrence, St = Status, * = Restricted Codes

Status: M=Mandatory, R=Required, O=Optional, C=Conditional, D=Dependent, A=Advised, N=Not used

Segment Layout

| Business Term | DE | EDIFACT | Format | St | * | Description |
|---------------|------|-----------------------------------|--------|----|---|--|
| | | | | | | outside agreed range BO Delivered but not advised BP Short shipped IS Item represents substitution from original order (GS1 Temporary Code) PC Pack difference PE Minimum/maximum product durability date unacceptable (GS1 Temporary Code) X36 Best before date out of chronological order (GS1 Temporary Code) |
| | 1131 | Code list identification code | an..17 | O | | |
| | 3055 | Code list responsible agency code | an..3 | D | | |
| | 4294 | Change reason description | an..35 | O | | |

This segment is used to specify any variances between what was received and accepted and what was ordered/shipped.

If the quantity received and/or accepted is less than the quantity expected by the receiver (e.g. damaged goods not accepted), the value of QVR, DE 6064 must be expressed as a negative.

If the quantity received and/or accepted is greater than the quantity expected by the receiver (e.g. overshipped), the value of QVR, DE 6064 must be expressed as a positive.

Example:

40 units of the current line item were received but not accepted because they were over shipped. These extra units will be returned to the supplier.

Example: QVR+1:1+AC+AT:23:2:1'

Example: QVR+40:195+AC'

Max. Occ. = Maximum Occurrence, St = Status, * = Restricted Codes

Status: M=Mandatory, R=Required, O=Optional, C=Conditional, D=Dependent, A=Advised, N=Not used

Segment Layout

| No. Seg | St | Max. Occ. | | | | |
|---|------------|--|---------------------------------------|------------------|---|--|
| SG16 | C | 9999 | CPS-SG17-SG22 | | | |
| A group of segments providing details of all packages and/or individual items as received. This segment group provides the capability to give the top-down hierarchical relationship of the package levels. | | | | | | |
| SG22 | C | 9999 | LIN-PIA-IMD-QTY-QVR-DTM-FTX-SG28-SG29 | | | |
| A group of segments providing details of the product or service received. | | | | | | |
| 28 | DTM | C | 5 | Date/time/period | | |
| To specify date, and/or time, or period. | | | | | | |
| Business Term | DE | EDIFACT | Format | St | * | Description |
| | C507 | Date/time/period | | M | | |
| | 2005 | Date or time or period function code qualifier | an..3 | M | | 61 Cancel if not delivered by this date 200 Pick-up/collection date/time of cargo 360 Sell by date |
| | 2380 | Date or time or period value | an..35 | R | | |
| | 2379 | Date or time or period format code | an..3 | R | | 102 CCYYMMDD 203 CCYYMMDDHHMM 718 CCYYMMDD-CCYYMMDD |
| This segment is used to specify dates related to the current line item. Example: Example: DTM+2:19930111:102 ' Example: DTM+200:20021115:102 ' | | | | | | |

Max. Occ. = Maximum Occurrence, St = Status, * = Restricted Codes
Status: M=Mandatory, R=Required, O=Optional, C=Conditional, D=Dependent, A=Advised, N=Not used

Segment Layout

| No. Seg | St | Max. Occ. | | | | |
|---|------------|--------------------------------|---------------------------------------|-----------|---|-------------------|
| SG16 | C | 9999 | CPS-SG17-SG22 | | | |
| A group of segments providing details of all packages and/or individual items as received. This segment group provides the capability to give the top-down hierarchical relationship of the package levels. | | | | | | |
| SG22 | C | 9999 | LIN-PIA-IMD-QTY-QVR-DTM-FTX-SG28-SG29 | | | |
| A group of segments providing details of the product or service received. | | | | | | |
| 29 | FTX | C | 99 | Free text | | |
| To provide free form or coded text information. | | | | | | |
| Business Term | DE | EDIFACT | Format | St | * | Description |
| | 4451 | Text subject code qualifier | an..3 | M | | BAP External link |
| | 4453 | Free text function code | an..3 | N | | |
| | C107 | Text reference | | N | | |
| | 4441 | Free text value code | an..17 | | | |
| | C108 | Text literal | | C | | |
| | 4440 | Free text value | an..51 | M | | |
| | 4440 | Free text value | an..51 | O | | |
| | 4440 | Free text value | an..51 | O | | |
| Example: FTX+BAP+++WWW.RETAILERX.COM/RECADV/DAMAGEDGOODS/ORDER556/LIN3.PHOT01.JPG:3:X' | | | | | | |

Max. Occ. = Maximum Occurrence, St = Status, * = Restricted Codes
 Status: M=Mandatory, R=Required, O=Optional, C=Conditional, D=Dependent, A=Advised, N=Not used

Segment Layout

| No. Seg | St | Max. Occ. | | | |
|---|------------|--------------------------|---------------------------------------|-----------|---|
| SG16 | C | 9999 | CPS-SG17-SG22 | | |
| A group of segments providing details of all packages and/or individual items as received. This segment group provides the capability to give the top-down hierarchical relationship of the package levels. | | | | | |
| SG22 | C | 9999 | LIN-PIA-IMD-QTY-QVR-DTM-FTX-SG28-SG29 | | |
| A group of segments providing details of the product or service received. | | | | | |
| SG28 | C | 10 | RFF-DTM | | |
| A group of segments giving references and dates relevant to the line item. | | | | | |
| 30 | RFF | M | 1 | Reference | |
| To specify a reference. | | | | | |
| Business Term | DE | EDIFACT | Format | St | * Description |
| | C506 | Reference | | M | |
| | 1153 | Reference code qualifier | an..3 | M | AAK Despatch advice number AAU Despatch note number ALO Receiving advice number CR Customer reference number ON Order number (buyer) POR Purchase order response number PP Purchase order change number VN Order number (supplier) |
| | 1154 | Reference identifier | an..70 | R | |
| | 1156 | Document line identifier | an..6 | O | |
| This segment is used to specify any references associated with the current line item. Example: Example: RFF+AAK:1:1' Example: RFF+AAK:63321' | | | | | |

Max. Occ. = Maximum Occurrence, St = Status, * = Restricted Codes
Status: M=Mandatory, R=Required, O=Optional, C=Conditional, D=Dependent, A=Advised, N=Not used

Segment Layout

| No. Seg | St | Max. Occ. | | | | |
|---|------------|--|---------------------------------------|------------------|---|-----------------------------|
| SG16 | C | 9999 | CPS-SG17-SG22 | | | |
| A group of segments providing details of all packages and/or individual items as received. This segment group provides the capability to give the top-down hierarchical relationship of the package levels. | | | | | | |
| SG22 | C | 9999 | LIN-PIA-IMD-QTY-QVR-DTM-FTX-SG28-SG29 | | | |
| A group of segments providing details of the product or service received. | | | | | | |
| SG28 | C | 10 | RFF-DTM | | | |
| A group of segments giving references and dates relevant to the line item. | | | | | | |
| 31 | DTM | C | 1 | Date/time/period | | |
| To specify date, and/or time, or period. | | | | | | |
| Business Term | DE | EDIFACT | Format | St | * | Description |
| | C507 | Date/time/period | | M | | |
| | 2005 | Date or time or period function code qualifier | an..3 | M | * | 171 Reference date/ time |
| | 2380 | Date or time or period value | an..35 | R | | |
| | 2379 | Date or time or period format code | an..3 | R | | 102 CCYYMMDD |
| This segment is used to specify dates related to the references given in the previous RFF segment. Example: | | | | | | |
| Example: DTM+171:19931101:102' | | | | | | |
| Example: DTM+171:20021115:102' | | | | | | |

Max. Occ. = Maximum Occurrence, St = Status, * = Restricted Codes
 Status: M=Mandatory, R=Required, O=Optional, C=Conditional, D=Dependent, A=Advised, N=Not used

Segment Layout

| No. Seg | St | Max. Occ. | | | | |
|---|------------|----------------------------|---------------------------------------|------------------------|---|--|
| SG16 | C | 9999 | CPS-SG17-SG22 | | | |
| A group of segments providing details of all packages and/or individual items as received. This segment group provides the capability to give the top-down hierarchical relationship of the package levels. | | | | | | |
| SG22 | C | 9999 | LIN-PIA-IMD-QTY-QVR-DTM-FTX-SG28-SG29 | | | |
| A group of segments providing details of the product or service received. | | | | | | |
| SG29 | C | 9999 | PCI-QTY-QVR-SG31 | | | |
| A group of segments identifying one specific package or a number of packages, the marks and numbers, quantities and receiving conditions. | | | | | | |
| 32 | PCI | M | 1 | Package identification | | |
| To specify markings and labels on individual packages or physical units. | | | | | | |
| Business Term | DE | EDIFACT | Format | St | * | Description |
| | 4233 | Marking instructions code | an..3 | O | | 17 Supplier's instructions 39 Marked with Serial Shipping Container Code (SSCC) |
| | C210 | Marks & labels | | O | | |
| | 7102 | Shipping marks description | an..35 | M | | |
| | 7102 | Shipping marks description | an..35 | O | | |
| | 7102 | Shipping marks description | an..35 | O | | |
| | 7102 | Shipping marks description | an..35 | O | | |
| | 7102 | Shipping marks description | an..35 | O | | |
| | 7102 | Shipping marks description | an..35 | O | | |
| | 7102 | Shipping marks description | an..35 | O | | |
| | 7102 | Shipping marks description | an..35 | O | | |
| | 7102 | Shipping marks description | an..35 | O | | |
| This segment is used to provide markings and labels information relevant to the product identified in the LIN segment. Example: Example: PCI+17+1:1:1:1:1:1:1:1:1:1' Example: PCI+17' | | | | | | |

Max. Occ. = Maximum Occurrence, St = Status, * = Restricted Codes
Status: M=Mandatory, R=Required, O=Optional, C=Conditional, D=Dependent, A=Advised, N=Not used

Segment Layout

| No. Seg | St | Max. Occ. | | | | |
|--|------------|------------------------------|---------------------------------------|----------|---|--|
| SG16 | C | 9999 | CPS-SG17-SG22 | | | |
| A group of segments providing details of all packages and/or individual items as received. This segment group provides the capability to give the top-down hierarchical relationship of the package levels. | | | | | | |
| SG22 | C | 9999 | LIN-PIA-IMD-QTY-QVR-DTM-FTX-SG28-SG29 | | | |
| A group of segments providing details of the product or service received. | | | | | | |
| SG29 | C | 9999 | PCI-QTY-QVR-SG31 | | | |
| A group of segments identifying one specific package or a number of packages, the marks and numbers, quantities and receiving conditions. | | | | | | |
| 33 | QTY | C | 1 | Quantity | | |
| To specify a pertinent quantity. | | | | | | |
| Business Term | DE | EDIFACT | Format | St | * | Description |
| | C186 | Quantity details | | M | | |
| | 6063 | Quantity type code qualifier | an..3 | M | * | 194 Received and accepted |
| | 6060 | Quantity | an..35 | M | | |
| | 6411 | Measurement unit code | an..3 | D | | This DE is only used if the current product is of variable quantity. |
| <p>This segment is used to indicate the quantity of the current line item received and accepted which is contained in the package marked with the Serial Shipping Container Code identified in the following GIN segment.</p> <p>Example:</p> <p>Example: QTY+194:1:KGM'</p> <p>Example: QTY+194:45'</p> | | | | | | |

Max. Occ. = Maximum Occurrence, St = Status, * = Restricted Codes
 Status: M=Mandatory, R=Required, O=Optional, C=Conditional, D=Dependent, A=Advised, N=Not used

Segment Layout

| No. Seg | St | Max. Occ. | |
|---|------------|-----------|---------------------------------------|
| SG16 | C | 9999 | CPS-SG17-SG22 |
| A group of segments providing details of all packages and/or individual items as received. This segment group provides the capability to give the top-down hierarchical relationship of the package levels. | | | |
| SG22 | C | 9999 | LIN-PIA-IMD-QTY-QVR-DTM-FTX-SG28-SG29 |
| A group of segments providing details of the product or service received. | | | |
| SG29 | C | 9999 | PCI-QTY-QVR-SG31 |
| A group of segments identifying one specific package or a number of packages, the marks and numbers, quantities and receiving conditions. | | | |
| 34 | QVR | C 1 | Quantity variances |
| To specify item details relating to quantity variances. | | | |

| Business Term | DE | EDIFACT | Format | St | * | Description |
|---------------|------|--|--------|----|---|---|
| | C279 | Quantity difference information | | R | | |
| | 6064 | Quantity variance value | n..15 | M | | Specify the actual variance amount here. |
| | 6063 | Quantity type code qualifier | an..3 | R | | 12 Despatch quantity 21 Ordered quantity 46 Delivered quantity 195 Received, not accepted, to be returned 196 Received, not accepted, to be destroyed |
| | 4221 | Discrepancy nature identification code | an..3 | O | | AC Over-shipped AE Delivered but not advised AF Goods delivered damaged AG Delivered too late BP Shipment partial - back order to follow CP Shipment partial - considered complete, no backorder |
| | C960 | Reason for change | | O | | |
| | 4295 | Change reason description code | an..3 | R | | AT Item not ordered BA Damaged Goods BN Temperature outside agreed range BJ Item identification code unknown BL Item represents substitution from original order |

Max. Occ. = Maximum Occurrence, St = Status, * = Restricted Codes
 Status: M=Mandatory, R=Required, O=Optional, C=Conditional, D=Dependent, A=Advised, N=Not used

Segment Layout

| Business Term | DE | EDIFACT | Format | St | * | Description |
|---------------|------|-----------------------------------|--------|----|---|---|
| | | | | | | BM Minimum/maximum product durability date unacceptable PC Pack difference |
| | 1131 | Code list identification code | an..17 | O | | |
| | 3055 | Code list responsible agency code | an..3 | D | | |
| | 4294 | Change reason description | an..35 | O | | |

This segment is used to specify quantity variances for the current line item which is contained in the package marked with the Serial Shipping Container Code identified in the following GIN segment.

For negative values (e.g. damaged goods not accepted) the variance must be expressed as negative.

DE 6064 and 6063: These DE's must be used to indicate the quantity not being accepted which is the difference between the despatched (delivered) quantity and the received and accepted quantity.

Example:

Example: QVR+1:1+AC+AT:23:2:X'

Example: QVR+40:195+AC'

Max. Occ. = Maximum Occurrence, St = Status, * = Restricted Codes

Status: M=Mandatory, R=Required, O=Optional, C=Conditional, D=Dependent, A=Advised, N=Not used

Segment Layout

| No. Seg | St | Max. Occ. | |
|---|------------|-----------|---------------------------------------|
| SG16 | C | 9999 | CPS-SG17-SG22 |
| A group of segments providing details of all packages and/or individual items as received. This segment group provides the capability to give the top-down hierarchical relationship of the package levels. | | | |
| SG22 | C | 9999 | LIN-PIA-IMD-QTY-QVR-DTM-FTX-SG28-SG29 |
| A group of segments providing details of the product or service received. | | | |
| SG29 | C | 9999 | PCI-QTY-QVR-SG31 |
| A group of segments identifying one specific package or a number of packages, the marks and numbers, quantities and receiving conditions. | | | |
| SG31 | C | 10 | GIN |
| A group of segments giving package identification numbers. | | | |
| 35 | GIN | M | 1 Goods identity number |
| To give specific identification numbers, either as single numbers or ranges. | | | |

| Business Term | DE | EDIFACT | Format | St | * | Description |
|---------------|------|--------------------------------------|--------|----|---|--|
| | 7405 | Object identification code qualifier | an..3 | M | | AW Serial shipping container code BJ Serial shipping container code |
| | C208 | Identity number range | | M | | |
| | 7402 | Object identifier | an..35 | M | | |
| | 7402 | Object identifier | an..35 | O | | |
| | C208 | Identity number range | | O | | |
| | 7402 | Object identifier | an..35 | M | | |
| | 7402 | Object identifier | an..35 | O | | |
| | C208 | Identity number range | | O | | |
| | 7402 | Object identifier | an..35 | M | | |
| | 7402 | Object identifier | an..35 | O | | |
| | C208 | Identity number range | | O | | |
| | 7402 | Object identifier | an..35 | M | | |
| | 7402 | Object identifier | an..35 | O | | |
| | C208 | Identity number range | | O | | |
| | 7402 | Object identifier | an..35 | M | | |
| | 7402 | Object identifier | an..35 | O | | |

This segment is used to provide the Serial Shipping Container Code marked on the packaging of the current line item.

DE C208: If a sequential series of identity numbers is provided (e.g., 1 up to and including 10) only one repetition of the C208 composite is needed with the first repetition of 7402 specifying the numerically smaller identity number (e.g., 1) and the second repetition the larger identity number (e.g., 10). If identity numbers are not sequential and part of a series (e.g., 1, 3, and 10) then a separate C208 and DE 7402 must be used for each identity number.

Max. Occ. = Maximum Occurrence, St = Status, * = Restricted Codes

Status: M=Mandatory, R=Required, O=Optional, C=Conditional, D=Dependent, A=Advised, N=Not used

Segment Layout

Within internal applications, users may provide a range of Serial Shipping Container Codes using one repetition of C208 (as described above) by transmitting a 17 digit SSCC and calculating the check digit within the application.

In EANCOM it is recommended to use the Serial Shipping Container Code (SSCC) for unique identification of individual transport packages.

Example:

Example: GIN+AW+1:1+1:1+1:1+1:1+1:1'

Example: GIN+AW+35412345000000014'

Segment Layout

| No. Seg | St | Max. Occ. | | | | |
|---|------------|--------------------------------------|--|----|---|--------------------------------------|
| 36 | CNT | C 1 | Control total To provide control total. | | | |
| Business Term | DE | EDIFACT | Format | St | * | Description |
| | C270 | Control | | M | | |
| | 6069 | Control total type code qualifier | an..3 | M | * | 2 Number of line items in message |
| | 6066 | Control total value | n..18 | M | | |
| | 6411 | Measurement unit code | an..3 | O | | |
| <p>This segment is used to provide message control information for checking on the message receivers in-house system. Example: Example: CNT+2:1:H87' Example: CNT+2:120'</p> | | | | | | |

Max. Occ. = Maximum Occurrence, St = Status, * = Restricted Codes
 Status: M=Mandatory, R=Required, O=Optional, C=Conditional, D=Dependent, A=Advised, N=Not used

Segment Layout

| No. Seg | St | Max. Occ. | | | |
|---|------------|---------------------------------|-----------------|----|---|
| 37 | UNT | M 1 | Message trailer | | |
| To end and check the completeness of a message. | | | | | |
| Notes: | | | | | |
| 1. 0062, the value shall be identical to the value in 0062 in the corresponding UNH segment. | | | | | |
| Business Term | DE | EDIFACT | Format | St | * Description |
| | 0074 | Number of segments in a message | n..10 | M | The total number of segments in the message is detailed here. |
| | 0062 | Message reference number | an..14 | M | The message reference numbered detailed here should equal the one specified in the UNH segment. |
| <p>This segment is a mandatory UN/EDIFACT segment. It must always be the last segment in the message.</p> <p>Example:</p> <p>Example: UNT+35+ME000001'</p> <p>Example: UNT+34+ME000001'</p> | | | | | |

Max. Occ. = Maximum Occurrence, St = Status, * = Restricted Codes
 Status: M=Mandatory, R=Required, O=Optional, C=Conditional, D=Dependent, A=Advised, N=Not used

Segment Layout

| No. Seg | St | Max. Occ. | | | |
|--|------------|-------------------------------|---------------------|----|--|
| 38 | UNZ | M 1 | Interchange trailer | | |
| To end and check the completeness of an interchange. | | | | | |
| Notes: | | | | | |
| 1. 0020, the value shall be identical to the value in 0020 in the corresponding UNB segment. | | | | | |
| Business Term | DE | EDIFACT | Format | St | * Description |
| | 0036 | Interchange control count | n..6 | M | Number of messages or functional groups within an interchange. |
| | 0020 | Interchange control reference | an..14 | M | Identical to DE 0020 in UNB segment. |
| <p>This segment is used to provide the trailer of an interchange.</p> <p>DE 0036: If functional groups are used, this is the number of functional groups within the interchange. If functional groups are not used, this is the number of messages within the interchange.</p> <p>Example: UNZ+1+12345555'</p> <p>Example: UNZ+5+12345555'</p> | | | | | |

Max. Occ. = Maximum Occurrence, St = Status, * = Restricted Codes
 Status: M=Mandatory, R=Required, O=Optional, C=Conditional, D=Dependent, A=Advised, N=Not used

Used Codes

| | |
|-------------|---|
| 0001 | <p>Syntax identifier</p> <p>Coded identification of the agency controlling the syntax, and of the character repertoire used in an interchange.</p> <p>Notes:</p> <p>1. The data value consists of the letters 'UN', upper case, identifying the syntax controlling agency, directly followed by an a2 code identifying the character repertoire used.</p> |
| UNOA | <p>UN/ECE level A</p> <p>As defined in the basic code table of ISO 646 with the exceptions of lower case letters, alternative graphic character allocations and national or application-oriented graphic character allocations.</p> |
| UNOB | <p>UN/ECE level B</p> <p>As defined in the basic code table of ISO 646 with the exceptions of alternative graphic character allocations and national or application-oriented graphic character allocations.</p> |
| UNOC | <p>UN/ECE level C</p> <p>As defined in ISO 8859-1 : Information processing - Part 1: Latin alphabet No. 1.</p> |
| UNOD | <p>UN/ECE level D</p> <p>As defined in ISO 8859-2 : Information processing - Part 2: Latin alphabet No. 2.</p> |
| UNOE | <p>UN/ECE level E</p> <p>As defined in ISO 8859-5 : Information processing - Part 5: Latin/Cyrillic alphabet.</p> |
| UNOF | <p>UN/ECE level F</p> <p>As defined in ISO 8859-7 : Information processing - Part 7: Latin/Greek alphabet.</p> |
| UNOG | <p>UN/ECE level G</p> <p>As defined in ISO 8859-3 : Information processing - Part 3: Latin alphabet.</p> |
| UNOH | <p>UN/ECE level H</p> <p>As defined in ISO 8859-4 : Information processing - Part 4: Latin alphabet.</p> |
| UNOI | <p>UN/ECE level I</p> <p>As defined in ISO 8859-6 : Information processing - Part 6: Latin/Arabic alphabet.</p> |
| UNOJ | <p>UN/ECE level J</p> <p>As defined in ISO 8859-8 : Information processing - Part 8: Latin/Hebrew alphabet.</p> |
| UNOK | <p>UN/ECE level K</p> <p>As defined in ISO 8859-9 : Information processing - Part 9: Latin alphabet.</p> |

Used Codes

| | |
|-------------|---|
| UNOW | UN/ECE level W ISO 10646-1 octet with code extension technique to support UTF-8 (UCS Transformation Format, 8 bit) encoding. |
| UNOX | UN/ECE level X Code extension technique as defined by ISO 2022 utilising the escape techniques in accordance with ISO 2375. |
| UNOY | UN/ECE level Y ISO 10646-1 octet without code extension technique. |
| 0002 | Syntax version number Version number of the syntax. Notes: 1. Shall be '4' to indicate this version of the syntax. |
| 4 | Version 4 ISO 9735:1998. |
| 0007 | Identification code qualifier Qualifier referring to the identification code. Notes: 1. A qualifier code may refer to an organisation identification as in ISO 6523. |
| 14 | GS1 Partner identification code assigned by GS1, an international organization of GS1 Member Organizations that manages the GS1 System. |
| 0025 | Recipient reference/password qualifier Qualifier for the recipient's reference or password. Notes: 1. To be used as specified in the partners' interchange agreement. |
| AA | Reference Recipient's reference/password is a reference. |
| BB | Password Recipient's reference/password is a password. |
| 0029 | Processing priority code Code determined by the sender requesting processing priority for the interchange. Notes: 1. To be used as specified in the partners' interchange agreement. |

Used Codes

| | |
|-------------|---|
| A | Highest priority Requested processing priority is the highest. |
| 0031 | Acknowledgement request Code requesting acknowledgement for the interchange. Notes: 1. Used if the sender requests that a message related to syntactical correctness be sent by the recipient in response. 2. For UN/EDIFACT a specific message (Syntax and service report - CONTRL) is defined for this purpose. |
| 1 | Requested Acknowledgement is requested. |
| 0035 | Test indicator Indication that the structural level containing the test indicator is a test. |
| 1 | Interchange is a test Indicates that the interchange is a test. |
| 5 | Interchange is a service provider test Indicates that this interchange is a test with a service provider. |
| 0051 | Controlling agency, coded Code identifying a controlling agency. |
| UN | UN/CEFACT United Nations Centre for Trade Facilitation and Electronic Business (UN/CEFACT). GS1 Description: UN Economic Commission for Europe (UN/ECE), Committee on the development of trade (TRADE), Working Party on facilitation of international trade procedures (WP.4). |
| 0052 | Message version number Version number of a message type. |
| D | Draft version/UN/EDIFACT Directory Message approved and issued as a draft message (Valid for directories published after March 1993 and prior to March 1997). Message approved as a standard message (Valid for directories published after March 1997). |
| 0054 | Message release number Release number within the current message version number. |
| 01B | Release 2001 - B Message approved and issued in the second 2001 release of the UNTDID (United Nations Trade Data Interchange Directory). |

Used Codes

| | |
|-------------|--|
| 0057 | Association assigned code Code, assigned by the association responsible for the design and maintenance of the message type concerned, which further identifies the message. |
| EAN009 | GS1 version control number (GS1 Permanent Code) Indicates that the message is an EANCOM message in version 009. |
| 0065 | Message type Code identifying a type of message and assigned by its controlling agency. Notes: 1. In UNSMs (United Nations Standard Messages), the representation is a6. |
| RECADV | Receiving advice message A code to identify the receiving advice message. GS1 Description: This message is to address the business needs related to the goods receipt. This message is used to report the physical receipt of goods. The message allows for the reporting of discrepancies in products, quantities, terms, packages, etc. |
| 1001 | Document name code Code specifying the document name. |
| 632 | Goods receipt Document/message to acknowledge the receipt of goods and in addition may indicate receiving conditions. GS1 Description: Message addressing the business needs related to the goods receipt or advising discrepancies between despatched or ordered/planned goods. |
| 1131 | Code list identification code Code identifying a user or association maintained code list. Notes: 1. The codes for this data element are provided by the code list responsible agency defined in data element 3055. |
| 23 | Clearing house automated payment Self explanatory. Notes: This code value will be removed effective with directory D.04A. GS1 Description: Banking community' automated payment clearing system. |

Used Codes

| | |
|-----|--|
| 25 | <p>Bank identification Code for identification of banks.</p> <p>Notes: This code value will be removed effective with directory D.04A.</p> |
| 106 | <p>Incoterms 1980 (4110) Code to indicate applicable Incoterm (1980 edition) under which seller undertakes to deliver merchandise to buyer (ICC). Incoterms 1990: use 4053 only.</p> <p>Notes: This code value will be removed effective with directory D.04A.</p> |
| 132 | <p>Charge Identification of a type of charge.</p> <p>Notes: This code value will be removed effective with directory D.04A.</p> |
| 154 | <p>Bank branch sorting identification Identification of a specific branch of a bank.</p> <p>Notes: This code value will be removed effective with directory D.04A.</p> |
| 157 | <p>Clearing code Identification of the responsible bank/clearing house which has cleared or is ordered to do the clearing.</p> <p>Notes: This code value will be removed effective with directory D.04A.</p> |
| 166 | <p>Social security identification Code assigned by the authority competent to issue social security identification to identify a person.</p> <p>Notes: This code value will be removed effective with directory D.04A.</p> |
| 174 | <p>Citizen identification Self explanatory.</p> <p>Notes: This code value will be removed effective with directory D.04A.</p> <p>GS1 Description: Code issued by national authority competent to issue citizen identification to identify a person.</p> |
| 1E | <p>Incoterms 1990 (GS1 Temporary Code) Incoterms 1990 as published by the International Chamber of Commerce (ICC).</p> |

Used Codes

| | |
|-----|--|
| 2E | Incoterms 2000 (GS1 Temporary Code) Incoterms 2000 as published by the International Chamber of Commerce (ICC). |
| 3E | Incoterms 2010 (GS1 Temporary Code) Incoterms 2010 as published by the International Chamber of Commerce (ICC). |
| ADR | Accord Europeen au transport international dangereuses (GS1 Temporary Code) A European agreement concerning the international carriage of dangerous goods by road. |
| BR | Brand (GS1 Temporary Code) An identifying mark or label on the products of a particular company, or the kind or make of a commodity. |
| CA | Category (GS1 Temporary Code) A class or division in a scheme of classification. |
| CO | Colour (GS1 Temporary Code) Description of the colour required/available on the goods. |
| FL | Flavor (GS1 Temporary Code) The characteristic quality of goods. |
| HMT | Hazardous material standard text (GS1 Temporary Code) Code indicating agreed standard text on hazardous materials. |
| LOC | Location Code (GS1 Temporary Code) This is a code to indicate where the EAS tag is located on the Trade Item. Values include On outside of Trade Item, Concealed inside Trade Item, Integrated Inside Trade Item. |
| OAG | Organic Claim Agency (GS1 Temporary Code) A governing body that creates and maintain standards related to organic products. |
| OCO | Organic Trade Item Code (GS1 Temporary Code) Used to indicate the organic status of a trade item or of one or more of its components. |
| OUM | Ordering unit of measure (GS1 Temporary Code) The alternate Unit of Measure of how Trade Items are ordered by the Retailer under one Unit of Measure, but sold under another Unit of Measure. |
| SKB | SKRS recommendation (GS1 Temporary Code) SKRS recommendation for standard clothes hanger. |
| SRN | Service relation number (GS1 Temporary Code) A number used to identify a database entry which records recurring services, e.g., treatment of a patient in a hospital, usage by a member of a library facilities, etc. |

Used Codes

| | |
|-----|---|
| ST | Style (GS1 Temporary Code) Specific or characteristic design in any goods. |
| SUM | Selling unit of measure (GS1 Temporary Code) Describes the measurement used for selling unit of the Trade Item to the end consumer. |
| SZ | Size (GS1 Temporary Code) Any of a series of graded classifications of measure into which goods are divided. |
| SZG | Size Group (GS1 Temporary Code) A description of the variable size that is necessary to uniquely specify the size of the item in conjunction with the nonpackaged size dimension. |
| TYP | Type Code (GS1 Temporary Code) This is a code to indicate the type of EAS tag located on the Trade Item. Values include Acousto-Magnetic, Electro-Magnetic, Ink or dye, Microwave, Radio Frequency. |
| X11 | Diet Allergen (GS1 Temporary Code) Indication of which dietary or allergen marks that are on the package. |
| X12 | Environment (GS1 Temporary Code) Indication of which environmental marks (e.g. recycling schemes) that are on trade item package. |
| X13 | Ethical (GS1 Temporary Code) Indication of which ethical trading marks that are on the package. |
| X14 | Free Form (GS1 Temporary Code) Indication of which free-from marks that are on the package. |
| X15 | Expiration date (GS1 Temporary Code) Indicates the type of expiration date marked on the packaging. |
| X16 | Nesting Direction (GS1 Temporary Code) Depicts the arrangement of two items that nest together specifically whether they nest against each other or on top of each other. |
| X17 | Package Marks Hygienic (GS1 Temporary Code) Indication of which hygiene markings are present in the product package |
| X18 | Hazardous Components are Removable (GS1 Temporary Code) An indicator if any hazardous components contained within the trade item can easily be separated from the other materials to facilitate product recycling. |
| X19 | Trade Item Has Refuse Obligations (GS1 Temporary Code) Indicates if there are special disposal obligations that apply to the trade item for example INTRASTAT. |
| X20 | Trade Item Is Designed for Easy Disassembly (GS1 Temporary Code) Indicates that the trade item is designed for easy disassembly by recycling facilities using standard industry tools. |

Used Codes

| | |
|-----|--|
| X21 | Trade Item Is Rigid Plastic Packaging Container (GS1 Temporary Code) Indicates that a product is or is contained in a Rigid Plastic Packaging Container (RPPC) as defined by laws in the target market. |
| X22 | Trade Item Is ROHS Compliant (GS1 Temporary Code) Indicates if the product is compliant with the European Union RoHS Directive. |
| X23 | Trade Item Is Universal Waste (GS1 Temporary Code) Indicates if a product can be considered universal waste. |
| X24 | Trade Item Is Consumer Upgradeable Or Maintainable (GS1 Temporary Code) Indicates if a product can be easily upgraded or have parts replaced by the consumer. |
| X25 | Trade Item Contains Short Chain Chlorinated Paraffins (GS1 Temporary Code) Indicate if the trade item and/or its components contain paints, coatings, plastics or other materials containing short chain chlorinated paraffins (SCCPs). |
| X26 | Trade Item Contains Pesticide (GS1 Temporary Code) Indicates if the trade item is advertised or labelled as a chemical or contains a chemical that is advertised or labelled to kill, repel or prevent the growth of any living organism. |
| X27 | Trade Item Contains Propellant (GS1 Temporary Code) Indicates if a trade item contains a compressed gas or propellant. |
| X28 | Trade Item Contains Polyvinyl Chloride (GS1 Temporary Code) Indicate if product contains Polyvinyl Chloride (PVC), a widely used thermoplastic polymer. |
| X29 | Trade Item Chemical Is Not Intended For Human Consumption (GS1 Temporary Code) Indicates that the trade item is or contains a Liquid, Gel, Paste, Powder, or Flammable solid not intended for human consumption (ingested). |
| X30 | ROHS Compliance Failure Material (GS1 Temporary Code) The material used in the trade item that does not comply with the ROHS Directives |
| X31 | Packaging Terms And Condition (GS1 Temporary Code) Indicates if the packaging given in the described packaging configuration is a rented, exchangeable, against deposit or one way/not reusable. |
| X32 | Warranty Effective Date Type (GS1 Temporary Code) The type of date associated with the warranty trade item usually expressed as an event date for the item for example date of purchase, date of manufacture or date of delivery. |
| X33 | Warranty Type (GS1 Temporary Code) Type of warranty available for the part, e.g. labour, distance, extended service. |

Used Codes

| | |
|-----|--|
| X35 | <p>Warranty Constraint (GS1 Temporary Code)</p> <p>Defines the relationship between different guarantee terms, e.g. "and", "or", "the stronger", "the weaker".</p> |
| X36 | <p>Seasonal Availability End Date (GS1 Temporary Code)</p> <p>Indicates the end date of the trade item's seasonal availability.</p> |
| X37 | <p>Seasonal Availability Start Date (GS1 Temporary Code)</p> <p>Indicates the start date of the trade item's seasonal availability.</p> |
| X38 | <p>Season Calendar Year (GS1 Temporary Code)</p> <p>This element indicates the calendar year in which the trade item is seasonally available.</p> |
| X39 | <p>Season Parameter (GS1 Temporary Code)</p> <p>Indication of the season, in which the trade item is available.</p> |
| X40 | <p>Trade Item Automatic Power Down is Enabled (GS1 Temporary Code)</p> <p>An indicator whether a product is enabled with auto power down feature when shipped to the customer.</p> |
| X41 | <p>Electrical Usage Agency Code (GS1 Temporary Code)</p> <p>The agency that regulates electrical usage for products within a target market.</p> |
| X42 | <p>Nesting Type (GS1 Temporary Code)</p> <p>Depicts whether a nested item fits inside or over the other item in a nesting relationship.</p> |
| X43 | <p>Display Dimension Type Code (GS1 Temporary Code)</p> <p>Depicts certain display scenarios used for measurement.</p> |
| X44 | <p>Manufacturer Has Take Back Program (GS1 Temporary Code)</p> <p>Indicates if the manufacturer of the trade item offers any take back programs to consumers for the product to be reused, remanufactured or recycled by the manufacturer.</p> |
| X45 | <p>Display Resolution (GS1 Temporary Code)</p> <p>The display resolution of a television or computer display.</p> |
| X46 | <p>Orientation Preference Sequence (GS1 Temporary Code)</p> <p>Depicts the preferred sequence of orientation used to communicate the manufacturers relative preferences of orientation.</p> |
| X47 | <p>Orientation Type (GS1 Temporary Code)</p> <p>Depicts via code a display orientation for a trade item.</p> |
| X48 | <p>Electrical Usage Trade Item Classification Code (GS1 Temporary Code)</p> <p>A classification code value from a product classification scheme provided to drive required information for electrical usage.</p> |
| X49 | <p>Electrical Usage Trade Item Classification Name (GS1 Temporary Code)</p> <p>A classification name from a product classification scheme provided to drive required information for electrical usage.</p> |

Used Codes

| | |
|-----|---|
| X50 | Electrical Usage SubClassification Code (GS1 Temporary Code) A sub-classification code value from a product classification scheme provided to drive required information for electrical usage. |
| X51 | Electrical Usage SubClassification Name (GS1 Temporary Code) A sub-classification name provided to drive required information for electrical usage. |
| X52 | Confirmation Status Code (GS1 Temporary Code) The CIC Confirmation Code must be of a type of code number that can be generated automatically by a computer system. |
| X53 | Confirmation Status Code Description (GS1 Temporary Code) Provides the code description that matches up with the Code that can possibly be generated automatically by a computer system. |
| X54 | Additional Confirmation Status Description (GS1 Temporary Code) Provides a way to communicate human entered information that may not be covered by the machine to machine codes and descriptions. |
| X55 | Corrective Action (GS1 Temporary Code) Provides the corrective action code to fix the issue that caused the problem. |
| X56 | Expected Corrective Information (GS1 Temporary Code) Provides the expected corrective information via a human entered information that may not be covered by the machine to machine codes. |
| X57 | Electrical Usage Trade Item Classification Agency (GS1 Temporary Code) A classification agency or organisation whose product classification scheme is being provided to drive required information for electrical usage. |
| X58 | ASFIS (GS1 Permanent Code) FAO alph-3 code list for fish species identification, commercial name & scientific name. |
| X59 | FAO fishing areas (GS1 Permanent Code) FAO fishing areas codelist. |
| X60 | FAO Fishing gear type (GS1 Permanent Code) FAO Fishing gear type codelist. |
| X61 | EU fish quality (GS1 Permanent Code) EU fish quality grade code list (E, A, B, C). |
| X62 | EU fish size (GS1 Permanent Code) EU fish standardized size code list (1, 2, 3, 4, 5 & One_Size). |
| X63 | EU fish presentation (GS1 Permanent Code) EU fish presentation code list (3 or 5 char alpha code). |
| ZZZ | Mutually defined Self explanatory. Note : This code value will be removed effective with directory D.04A. |

Used Codes

| | |
|-------------|--|
| 1153 | Reference code qualifier Code qualifying a reference. |
| AAB | Proforma invoice number [1088] Reference number assigned by the seller to a Proforma Invoice. |
| AAC | Documentary credit number [1172] Reference number assigned by issuing bank to a Documentary credit. |
| AAF | Debit card number A reference number identifying a debit card. |
| AAG | Offer or quotation number Reference number assigned by issuing party to an offer. |
| AAJ | Delivery order number Reference number assigned by issuer to a delivery order. |
| AAK | Despatch advice number Reference number assigned by issuing party to a despatch advice. |
| AAL | Drawing number Reference number identifying a specific product drawing. |
| AAM | Waybill number Reference number assigned to a waybill, see: 1001 = 700. |
| AAN | Delivery schedule number Reference number assigned by buyer to a delivery schedule. |
| AAO | Consignee's shipment reference number [1362] Reference assigned by the consignee to a shipment. |
| AAQ | Unit load device (e.g. container) identification number [8260] Marks (letters and/or numbers) which identify a unit load device e.g. freight container. |
| AAS | Transport document number [1188] Reference assigned by the carrier or his agent to the transport document. |
| AAT | Master label number Identifies the master label number of any package type. |
| AAU | Despatch note number [1128] Reference number assigned by the seller to a Despatch Note. |
| ABD | Customs tariff number (7357) Code number of the goods in accordance with the tariff nomenclature system of classification in use where the Customs declaration is made. |
| ABE | Declarant's reference number Unique reference number assigned to a document or a message by the declarant for identification purposes. |

Used Codes

| | |
|-----|---|
| ABO | Originator's reference A unique reference assigned by the originator. |
| ABP | Declarant's Customs identity number Reference to the party whose posted bond or security is being declared in order to accept responsibility for a goods declaration and the applicable duties and taxes. |
| ABQ | Importer reference number Reference number assigned by the importer to identify a particular shipment for his own purposes. |
| ABT | Customs declaration number [1426] Number, assigned or accepted by Customs, to identify a Goods declaration. |
| ACD | Additional reference number Reference number provided in addition to another given reference. |
| ACE | Related document number Reference number identifying a related document. |
| ACK | Bank reference Cross reference issued by financial institution. |
| ACL | Principal reference number A number that identifies the principal reference. |
| ACW | Reference number to previous message Reference number assigned to the message which was previously issued (e.g. in the case of a cancellation, the primary reference of the message to be cancelled will be quoted in this element). |
| ACX | Banker's acceptance Reference number for banker's acceptance issued by the accepting financial institution. |
| ADB | Matured certificate of deposit Reference number for certificate of deposit allocated by issuing financial institution. |
| ADC | Loan Reference number for loan allocated by lending financial institution. |
| ADD | Analysis number/test number Number given to a specific analysis or test operation. |
| ADE | Account number Identification number of an account. |
| AE | Authorization for expense (AFE) number A number that identifies an authorization for expense (AFE). GS1 Description: A number providing authorization for a party to incur an expense. |

Used Codes

| | |
|-----|--|
| AEK | Payment order number A number that identifies a payment order. |
| AER | Project specification number Reference number identifying a project specification. |
| AES | Primary reference A number that identifies the primary reference. |
| AFO | Beneficiary's reference Reference of the beneficiary. |
| AFS | Beneficiary's bank reference Reference number of the beneficiary's bank. |
| AGA | Agreement to pay number A number that identifies an agreement to pay. GS1 Description: A reference number guaranteeing a payment. |
| AGB | Contract party reference number Reference number assigned to a party for a particular contract. |
| AGG | Dispute number Reference number to a dispute notice. GS1 Description: A reference number identifying a previously transmitted commercial dispute. |
| AGT | Service group identification number Identification used for a group of services. |
| AGW | Scheme/plan number Reference number assigned to a service scheme or plan. |
| AHJ | Payee's reference number Reference number of the party to be paid. |
| AHL | Creditor's reference number Reference number of the party to whom a debt is owed. |
| AHM | Debtor's reference number Reference number of the party who owes an amount of money. |
| AHU | Request for quote number Reference number assigned by the requestor to a request for quote. |
| AID | Certificate of conformity Certificate certifying the conformity to predefined definitions. |
| AIJ | Customer's individual transaction reference number Customer's reference number allocated by the customer to one specific transaction. |

Used Codes

| | |
|-----|--|
| AIK | Bank's individual transaction reference number Bank's reference number allocated by the bank to one specific transaction. |
| AIZ | Consolidated invoice number Invoice number into which other invoices are consolidated. |
| AJS | Agreement number A number specifying an agreement between parties. |
| AJT | Standard Industry Classification (SIC) number A number specifying a standard industry classification. |
| AKJ | Direct debit reference Reference number assigned to the direct debit operation. |
| AKM | Replenishment purchase order range start number Starting number of a range of purchase order numbers assigned by the buyer to vendor's replenishment orders. |
| AKO | Action authorization number A reference number authorizing an action. |
| ALK | Consignee's invoice number The invoice number assigned by a consignee. |
| ALL | Message batch number A number identifying a batch of messages. |
| ALM | Previous delivery schedule number A reference number identifying a previous delivery schedule. |
| ALN | Physical inventory recount reference number A reference to a re-count of physically held inventory. |
| ALO | Receiving advice number A reference number to a receiving advice. |
| ALP | Returnable container reference number A reference number identifying a returnable container. |
| ALQ | Returns notice number A reference number to a returns notice. |
| ALR | Sales forecast number A reference number identifying a sales forecast. |
| ALS | Sales report number A reference number identifying a sales report. |
| ALT | Previous tax control number A reference number identifying a previous tax control number. GS1 Description: A reference number identifying a previous Tax Control (TAXCON) message number. |

Used Codes

| | |
|-----|--|
| ALV | Registered capital reference Registered capital reference of a company. |
| AML | Replenishment purchase order range end number Ending number of a range of purchase order numbers assigned by the buyer to vendor's replenishment orders. |
| AMT | Goods and Services Tax identification number An identification number assigned to an organization collecting Goods and Services Taxes (GST). |
| ANJ | Authorization number A number which uniquely identifies an authorization. |
| ANL | Deposit reference number A reference number identifying a deposit. GS1 Description: A reference number identifying a physical deposit made to a financial account by a party through the bank branch network. |
| ANX | Clearing reference Reference allocated by a clearing procedure. |
| ANZ | Direct debit reference Reference of the direct debit. Notes: This code value will be removed effective with directory D.02A. |
| AOA | Documentary payment reference Reference of the documentary payment. |
| AP | Accounts receivable number Reference number assigned by accounts receivable department to the account of a specific debtor. |
| APF | Price/sales catalogue response reference number A reference number identifying a response to a price/sales catalogue. |
| APG | General purpose message reference number A reference number identifying a general purpose message. EDIFACT |
| APH | Invoicing data sheet reference number A reference number identifying an invoicing data sheet. |
| API | Inventory report reference number A reference number identifying an inventory report. |
| APQ | Commercial account summary reference number A reference number identifying a commercial account summary. |
| AQQ | Activite Principale Exercee (APE) identifier The French industry code for the main activity of a company. |

Used Codes

| | |
|-----|--|
| AQS | Nomenclature Activity Classification Economy (NACE) identifier A European industry classification code used to identify the activity of a company. |
| ARZ | Stock adjustment number A number identifying a stock adjustment. |
| ASE | Duty free products security number A security number allocated for duty free products. |
| ASF | Duty free products receipt authorisation number Authorisation number allocated for the receipt of duty free products. |
| ASG | Party information message reference Reference identifying a party information message. |
| ASI | Proof of delivery reference number A reference number identifying a proof of delivery which is generated by the goods recipient. |
| ASJ | Supplier's credit claim reference number A reference number identifying a supplier's credit claim. |
| ASK | Picture of actual product Reference identifying the picture of an actual product. |
| ASL | Picture of a generic product Reference identifying a picture of a generic product. |
| ASO | Password Code used for authentication purposes. |
| ASV | Product data file number The number of a product data file. |
| ATB | Purchase for export Customs agreement number A number assigned by a Customs authority allowing the purchase of goods free of tax because they are to be exported immediately after the purchase. EDIFACT |
| AUB | Party reference The reference to a party |
| AUD | Collection reference A reference identifying a collection. |
| AUG | Importer's letter of credit reference Letter of credit reference issued by importer. |
| AUJ | Proposed purchase order reference number A reference number assigned to a proposed purchase order. |
| AUK | Application for financial support reference number Reference number assigned to an application for financial support. |

Used Codes

| | |
|-----|--|
| AUL | Manufacturing quality agreement number Reference number of a manufacturing quality agreement. |
| AUQ | Customs binding ruling number Binding ruling number issued by customs. |
| AUR | Customs non-binding ruling number Non-binding ruling number issued by customs. |
| AUY | International Standard Industrial Classification (ISIC) code A code specifying an international standard industrial classification. |
| AUZ | Customs pre-approval ruling number Pre-approval ruling number issued by Customs. |
| AVB | Product characteristics directory A reference to a product characteristics directory. EDIFACT |
| AVD | Inventory report request number A reference to a product characteristics directory. EDIFACT |
| AVG | Slaughterhouse approval number Veterinary licence number allocated by a national authority to a Slaughterhouse. EDIFACT |
| AVH | Meat cutting plant approval number Veterinary licence number allocated by a national authority to a meat cutting plant. EDIFACT |
| AVQ | Place of packing approval number Approval Number of the place where goods are packaged. Approval number of the place where goods are packaged. In the meat sector, some additional information is required for traceability purposes: cutting party, slaughterhouse, ... |
| AVS | Mandate Reference Reference to a specific mandate given by the relevant party for underlying business or action. |
| AWB | Air waybill number Reference number assigned to an air waybill, see: 1001 = 740. |
| AWS | Hygienic Certificate number, national Nationally set Hygienic Certificate number, such as sanitary, epidemiologic. |
| AWT | Administrative Reference Code Reference number assigned by Customs to a 'shipment of excise goods'. |

Used Codes

| | |
|-----|---|
| AWV | <p>Phone number</p> <p>A sequence of digits used to call from one telephone line to another in a public telephone network.</p> |
| AWW | <p>Buyer's fund number</p> <p>A reference number indicating the fund number used by the buyer. GS1 Note: Replaces GS1 Temporary Code BFN.</p> |
| AWX | <p>Company trading account number</p> <p>A reference number identifying a company trading account. GS1 Note: Replaces GS1 Temporary Code CAN.</p> |
| AWY | <p>Reserve goods identifier</p> <p>A reference number identifying goods in stock which have been reserved for a party. GS1 Note: Replaces GS1 Temporary Code GRN.</p> |
| AWZ | <p>Handling and movement reference number</p> <p>A reference number identifying a previously transmitted cargo/goods handling and movement message. GS1 Note: Replaces GS1 Temporary Code HN.</p> |
| AXA | <p>Instruction to despatch reference number</p> <p>A reference number identifying a previously transmitted instruction to despatch message. GS1 Note: Replaces GS1 Temporary Code IDR.</p> |
| AXB | <p>Instruction for returns number</p> <p>A reference number identifying a previously communicated instruction for return message. GS1 Note: Replaces GS1 Temporary Code IRN.</p> |
| AXC | <p>Metered services consumption report number</p> <p>A reference number identifying a previously communicated metered services consumption report. GS1 Note: Replaces GS1 Temporary Code MSC.</p> |
| AXD | <p>Order status enquiry number</p> <p>A reference number to a previously sent order status enquiry. GS1 Note: Replaces GS1 Temporary Code OSC.</p> |
| AXE | <p>Firm booking reference number</p> <p>A reference number identifying a previous firm booking. GS1 Note: Replaces GS1 Temporary Code PFB.</p> |
| AXF | <p>Product inquiry number</p> <p>A reference number identifying a previously communicated product inquiry. GS1 Note: Replaces GS1 Temporary Code PIE.</p> |
| AXG | <p>Split delivery number</p> <p>A reference number identifying a split delivery. GS1 Note: Replaces GS1 Temporary Code SDR.</p> |

Used Codes

| | |
|-----|--|
| AXH | <p>Service relation number</p> <p>A reference number identifying the relationship between a service provider and a service client, e.g., treatment of a patient in a hospital, usage by a member of a library facility, etc.</p> <p>GS1 Note: Replaces GS1 Temporary Code SNR.</p> |
| AXI | <p>Serial shipping container code</p> <p>Reference number identifying a logisitc unit.</p> <p>GS1 Note: Replaces GS1 Temporary Code SSC.</p> |
| AXJ | <p>Test specification number</p> <p>A reference number identifying a test specification.</p> <p>GS1 Note: Replaces GS1 Temporary Code TS.</p> |
| AXK | <p>Transport status report number</p> <p>[1125] A reference number identifying a transport status report.</p> <p>GS1 Note: Replaces GS1 Temporary Code TSE.</p> |
| AXL | <p>Tooling contract number</p> <p>A reference number of the tooling contract.</p> <p>GS1 Note: Replaces GS1 Temporary Code XB5.</p> |
| AXM | <p>Formula reference number</p> <p>A reference number of a formula.</p> <p>GS1 Note: Replaces GS1 Temporary Code XB6.</p> |
| AXN | <p>Pre-agreement number</p> <p>A reference number identifying a pre-agreement.</p> <p>GS1 Note: Replaces GS1 Temporary Code XB7.</p> |
| AXO | <p>Product certification number</p> <p>Number assigned by a governing body (or their agents) to a product which certifies compliance with a standard.</p> <p>GS1 Note: Replaces GS1 Temporary Code XC1.</p> |
| AXP | <p>Consignment contract number</p> <p>Reference number identifying a consignment contract.</p> <p>GS1 Note: Replaces GS1 Temporary Code XC3.</p> |
| AXQ | <p>Product specification reference number</p> <p>Number assigned by the issuer to his product specification.</p> <p>GS1 Note: Replaces GS1 Temporary Code YA1.</p> |
| AXR | <p>Payroll deduction advice reference</p> <p>A reference number identifying a payroll deduction advice.</p> <p>GS1 Note: Replaces GS1 Temporary Code YA9.</p> |
| BC | <p>Buyer's contract number</p> <p>Reference number assigned by buyer to a contract.</p> |
| BFN | <p>Buyer's fund number (GS1 Temporary Code)</p> <p>A reference number indicating the fund number used by the buyer.</p> <p>GS1 Note: Code marked for deletion. Use value AWW instead.</p> |

Used Codes

| | |
|-----|--|
| BM | Bill of lading number Reference number assigned to a bill of lading, see: 1001 = 705. |
| BN | Booking reference number [1016] Reference number assigned by the carrier or his agent when cargo space is reserved prior to loading. |
| BO | Blanket order number Reference number assigned by the order issuer to a blanket order. |
| BT | Batch number/lot number Reference number assigned by manufacturer to a series of similar products or goods produced under similar conditions. |
| CAN | Company trading account number (GS1 Temporary Code) A reference number identifying a company trading account. GS1 Note: Code marked for deletion. Use value AWX instead. |
| CBB | Order shipment grouping reference A reference number identifying the grouping of purchase orders into one shipment. GS1 Note: Replaces GS1 Temporary Code YB4. |
| CD | Credit note number Reference number assigned to a credit note. |
| CED | Debit Letter number Reference number identifying the letter of debit document. GS1 Note: Replaces GS1 Temporary Code YB8. |
| CFF | Animal farm licence number Veterinary licence number allocated by a national authority to an animal farm. GS1 Note: Replaces GS1 Temporary Code YC3. |
| CH | Customer catalogue number Number identifying a catalogue for customer's usage. |
| CK | Cheque number Unique number assigned to one specific cheque. |
| CMR | Road consignment note number Reference number assigned to a road consignment note, see: 1001 = 730. |
| CN | Carrier's reference number Reference number assigned by carrier to a consignment. |
| CNE | Consolidated reference number (GS1 Temporary Code) A number identifying a consolidated reference. |
| CO | Buyers order number [1022] Reference number assigned by the buyer to an order. |
| COF | Call off order number A number that identifies a call off order. |

Used Codes

| | |
|-----|---|
| CR | Customer reference number Reference number assigned by the customer to a transaction. |
| CT | Contract number Reference number of a contract concluded between parties. |
| CU | Consignor's reference number [1140] Reference number assigned by a consignor to a particular shipment for his own purposes or for those of the consignee. |
| CZ | Cooperation contract number Number issued by a party concerned given to a contract on cooperation of two or more parties. |
| DDC | Direct debit contract reference (SWIFT Code) A reference number identifying a direct debit contract. |
| DL | Debit note number Reference number assigned by issuer to a debit note. |
| DM | Document number [1004] Reference number assigned to the document by the issuer. |
| DQ | Delivery note number Reference number assigned by the issuer to a delivery note. |
| ECN | External consolidation reference number (GS1 Temporary Code) A reference number assigned to identify an external consolidation. |
| EID | Economic operator identifier (EO-ID) (GS1 Temporary Code) Specify the economic operator identifier (EO-ID) number, e.g. in tobacco traceability. |
| ERC | External recap reference number (GS1 Temporary Code) A reference number identifying an external recap. |
| EX | Export licence number [1208] Reference number assigned by issuing authority to an Export Licence. |
| FC | Fiscal number Tax payer's number. Number assigned to individual persons as well as to corporates by a public institution; this number is different from the VAT registration number. |
| FF | Freight forwarder's reference number [1460] Reference number assigned to the consignment by the freight forwarder. |
| FI | File line identifier Number assigned by the file issuer or sender to identify a specific line. |
| FID | Facility identifier (F-ID) (GS1 Temporary Code) Identifies the place, for example the POS or warehouse where tobacco products are traded. |

Used Codes

| | |
|-----|---|
| FV | File version number Number given to a version of an identified file. |
| FX | Foreign exchange contract number Reference number identifying a foreign exchange contract. |
| GC | Government contract number Number assigned to a specific government/public contract. |
| GN | Government reference number A number that identifies a government reference. GS1 Description: This code value should not be used to provide the tax identification number for a party (use code VA). |
| GRN | Goods reserve number (GS1 Temporary Code) A reference number identifying goods in stock which have been reserved for a party. GS1 Note: Code marked for deletion. Use value AWY instead. |
| HN | Handling and movement reference number (GS1 Temporary Code) A reference number identifying a previously transmitted cargo/goods handling and movement message. GS1 Note: Code marked for deletion. Use value AWZ instead. |
| HS | Harmonised system number Number specifying the goods classification under the Harmonised Commodity Description and Coding System of the Customs Co-operation Council (CCC). |
| HWB | House waybill number Reference number assigned to a house waybill, see: 1001 = 703. |
| IA | Internal vendor number Number identifying the company-internal vending department/unit. |
| IDR | Instruction to despatch reference number (GS1 Temporary Code) A reference number identifying a previously transmitted instruction to despatch message. GS1 Note: Code marked for deletion. Use value AXA instead. |
| IP | Import licence number [1106] Reference number assigned by the issuing authority to an Import Licence. |
| IRN | Instruction for returns number (GS1 Temporary Code) A reference number identifying a previously communicated instruction for return message. GS1 Note: Code marked for deletion. Use value AXB instead. |
| IT | Internal customer number Number assigned by a seller, supplier etc. to identify a customer within his enterprise. |

Used Codes

| | |
|-----|---|
| IV | Invoice number [1334] Reference number assigned by the seller to a Commercial Invoice. |
| LC | Letter of credit number Reference number identifying the letter of credit document. |
| LI | Line item reference number (1156) Reference number identifying a particular line in a document. |
| MB | Master bill of lading number Reference number assigned to a master bill of lading, see: 1001 = 704. |
| MF | Manufacturer's part number Reference number assigned by the manufacturer to his product or part. |
| MG | Meter unit number Number identifying a unique meter unit. |
| MH | Manufacturing order number Reference number assigned by manufacturer for a given production quantity of products. |
| MR | Message recipient A number that identifies the message recipient. GS1 Description: Party who receives the message. |
| MS | Message sender A number that identifies the message sender. GS1 Description: Party who sends the message. |
| MSC | Metered services consumption report (GS1 Temporary Code) A reference number identifying a previously communicated metered services consumption report. GS1 Note: Code marked for deletion. Use value AXC instead. |
| MSS | Manufacturer's material safety data sheet number A number that identifies a manufacturer's material safety data sheet. |
| MWB | Master air waybill number Reference number assigned to a master air waybill, see: 1001 = 741. |
| ON | Order number (buyer) [1022] Reference number assigned by the buyer to an order. |
| OSE | Order status enquiry (GS1 Temporary Code) A reference number to a previously sent order status enquiry. GS1 Note: Code marked for deletion. Use value AXD instead. |
| PB | Payer's financial institution account number Originated company account number (ACH transfer), check, draft or wire. |

Used Codes

| | |
|-----|---|
| PD | Promotion deal number Number assigned by a vendor to a special promotion activity. |
| PFB | Firm booking reference number (GS1 Temporary Code) A reference number identifying a previous firm booking. GS1 Note: Code marked for deletion. Use value AXE instead. |
| PIE | Product inquiry number (GS1 Temporary Code) A reference number identifying a previously communicated product inquiry number. GS1 Note: Code marked for deletion. Use value AXF instead. |
| PK | Packing list number (1014) Reference number assigned to a packing list, see: 1001 = 271. |
| PL | Price list number Reference number assigned to a price list. GS1 Description: This code should be used to identify a Price/Sales Catalogue (PRICAT) message. |
| POR | Purchase order response number Reference number assigned by the seller to an order response. |
| PP | Purchase order change number Reference number assigned by a buyer for a revision of a purchase order. |
| PQ | Payment reference Reference number assigned to a payment. |
| PR | Price quote number Reference number assigned by the seller to a quote. |
| PW | Prior purchase order number Reference number of a purchase order previously sent to the supplier. |
| PY | Payee's financial institution account number Receiving company account number (ACH transfer), check, draft or wire. |
| RA | Remittance advice number A number that identifies a remittance advice. |
| RAK | Rack identification (GS1 Temporary Code) Identification of a warehouse rack in the location for shipment pick-up. |
| RCE | Recap number (GS1 Temporary Code) A reference number identifying a recap. |
| RCN | Railway consignment note number Reference number assigned to a rail consignment note, see: 1001 = 720. |
| RF | Export reference number Reference number given to an export shipment. |

Used Codes

| | |
|-----|--|
| SB | Sales region number A number that identifies a sales region. |
| SD | Sales department number A number that identifies a sales department. |
| SDR | Split delivery reference number (GS1 Temporary Code) A reference number identifying a split delivery. GS1 Note: Code marked for deletion. Use value AXG instead. |
| SE | Serial number Identification number of an item which distinguishes this specific item out of an number of identical items. |
| SN | Seal number [9308] Identification number on Customs or other seals affixed to containers or other transport units. |
| SNR | Service relation number (GS1 Temporary Code) A number used to identify a database entry which records recurring services, e.g., treatment of a patient in a hospital, usage by a member of a library facility, etc. GS1 Note: Code marked for deletion. Use value AXH instead. |
| SRN | Shipment reference number Reference number assigned to a shipment. GS1 Description: Reference number assigned by a consignor to a particular shipment for his own purposes or for those of the consignee. |
| SS | Seller's reference number Reference number assigned to a transaction by the seller. |
| SSC | Serial shipping container code (GS1 Temporary Code) Reference number identifying a serial shipping container or package. GS1 Note: Code marked for deletion. Use value AXI instead. |
| SZ | Specification number Number assigned by the issuer to his specification. |
| TAU | Aggregated level unique identifier (aUI) (GS1 Temporary Code) Reference the aggregated level unique identifier (aUI), e.g. in tobacco traceability. |
| TIN | Transport instruction number A reference number identifying a transport instruction. EDIFACT |
| TL | Tax exemption licence number Number assigned by the tax authorities to a party indicating its tax exemption authorization. This number could relate to a specified business type, a specified local area or a class of products. |

Used Codes

| | |
|-----|---|
| TP | Test report number Reference number identifying a test report document relevant to the product. |
| TRB | Tribunal place registration number (GS1 Temporary Code) Registration number of a company at the tribunal place. |
| TS | Test specification number (GS1 Temporary Code) A reference number identifying a test specification. GS1 Note: Code marked for deletion. Use value AXJ instead. |
| TSE | Transport status number (GS1 Temporary Code) A reference number identifying a transport status message. GS1 Note: Code marked for deletion. Use value AXK instead. |
| TUU | Aggregated level unique identifier (upUI) (GS1 Temporary Code) Identifies the single pack of cigarettes issued by a central EU repository. |
| UC | Ultimate customer's reference number The originator's reference number as forwarded in a sequence of parties involved. |
| UCN | Unique consignment reference number (1202) Unique reference of a consignment (UCRN) used for identification purposes in documents and messages exchanged between parties in international trade. See also: Unique Identifier Code (UNIC) in UN/ECE Recommendation No. 8, March 1992. |
| UO | Ultimate customer's order number The originator's order number as forwarded in a sequence of parties involved. |
| VA | VAT registration number Unique number assigned by the relevant tax authority to identify a party for use in relation to Value Added Tax (VAT). |
| VN | Order number (supplier) Reference number assigned by supplier to a buyer's purchase order. |
| XA | Company/place registration number Company registration and place as legally required. |
| XA4 | Account servicing bank reference (SWIFT Code) A reference number allocated by an account servicing bank. |
| XA5 | Customer to customer reference number (SWIFT Code) A reference number exchanged between customers. |
| XA6 | Third party reference number (SWIFT Code) A number used to identify references related to third parties. |
| XA8 | Credit card number (SWIFT Code) A reference number identifying a credit card. |
| XB1 | Clearing number (SWIFT Code) A reference number identifying a clearing. |

Used Codes

| | |
|-----|--|
| XB5 | Tooling contract number (GS1 Temporary Code) Number of the tooling contract. GS1 Note: Code marked for deletion. Use value AXL instead. |
| XB6 | Formula number (GS1 Temporary Code) Number of the formula. GS1 Note: Code marked for deletion. Use value AXM instead. |
| XB7 | Pre-agreement number (GS1 Temporary Code) Number identifying a pre-agreement. GS1 Note: Code marked for deletion. Use value AXN instead. |
| XC1 | Product certification number (GS1 Temporary Code) Number assigned by a governing body (or their agents) to a product which certifies compliance with a standard. GS1 Note: Code marked for deletion. Use value AXO instead. |
| XC3 | Consignment contract number (GS1 Temporary Code) Reference number identifying a consignment contract. GS1 Note: Code marked for deletion. Use value AXP instead. |
| YA1 | Product specification reference number (GS1 Temporary Code) Number assigned by the issuer to his product specification. GS1 Note: Code marked for deletion. Use value AXQ instead. |
| YA3 | Numbering per year (GS1 Temporary Code) Financial statement should be identified consecutively numbered per year. |
| YA6 | Bank statement number (SWIFT Code) A reference number identifying a bank statement. |
| YA9 | Payroll deduction advice reference (GS1 Temporary Code) A reference number identifying a payroll deduction advice. GS1 Note: Code marked for deletion. Use value AXR instead. |
| YB4 | Order shipment grouping reference (GS1 Temporary Code) A reference number identifying the grouping of purchase orders into one shipment. GS1 Note: Code marked for deletion. Use value CBB instead. |
| YB8 | Debit Letter (GS1 Temporary Code) Reference number identifying the letter of debit document. GS1 Note: Code marked for deletion. Use value CED instead. |
| YC1 | Additional party identification (GS1 Temporary Code) Reference number to an additional party identification. This number may be the internal trading partner identification number used by a party to identify its trading parties. |
| YC3 | Farm approval number (GS1 Temporary Code) Veterinary licence number allocated by a national authority to an animal farm. |

Used Codes

| | |
|-----|---|
| YC6 | Electrical and Electronic Equipment Producer registration number (GS1 Temporary Code) National registration number of the producers of Electrical and Electronic Equipment |
| YC7 | Batteries and Accumulators Producer registration number (GS1 Temporary Code) National registration number of the producers of Batteries and Accumulators |
| ZZZ | Mutually defined reference number Number based on party agreement. |

1225

Message function code
Code indicating the function of the message.

| | |
|----|---|
| 5 | Replace Message replacing a previous message. |
| 9 | Original Initial transmission related to a given transaction. |
| 27 | Not accepted Message to inform that the referenced message is not accepted by the recipient. |
| 29 | Accepted without amendment Referenced message is entirely accepted. |
| 31 | Copy Indicates that the message is a copy of an original message that has been sent, e.g. for action or information. |

2005

Date or time or period function code qualifier
Code qualifying the function of a date, time or period.

| | |
|---|---|
| 1 | Service completion date/time, actual Actual date/time on which the service was completed. |
| 2 | Delivery date/time, requested Date on which buyer requests goods to be delivered. |
| 3 | Invoice date/time [2376] Date when a Commercial Invoice is issued. |
| 4 | Order date/time [2010] Date when an order is issued. |
| 7 | Effective date/time Date and/or time at which specified event or document becomes effective. |
| 8 | Order received date/time Date/time when the purchase order is received by the seller. |

Used Codes

| | |
|----|--|
| 9 | Processing date/time Date/time of processing. |
| 10 | Shipment date/time, requested Date on which goods should be shipped or despatched by the supplier. |
| 11 | Despatch date and/or time (2170) Date/time on which the goods are or are expected to be despatched or shipped. |
| 12 | Terms discount due date/time Date by which payment should be made if discount terms are to apply. |
| 13 | Terms net due date Date by which payment must be made. |
| 14 | Payment date/time, deferred Date/time when instalments are due. |
| 15 | Promotion start date/time Date/time when promotion activities begin. |
| 16 | Promotion end date/time Date/time when promotion activities end. |
| 17 | Delivery date/time, estimated Date and/or time when the shipper of the goods expects delivery will take place. |
| 18 | Installation date/time/period The date/time/period of the act, or an instance of installing something or someone. |
| 35 | Delivery date/time, actual Date/time on which goods or consignment are delivered at their destination. |
| 36 | Expiry date Date of expiry of the validity of a referenced document, price information or any other referenced data element with a limited validity period. |
| 37 | Ship not before date/time Goods should not be shipped before given date/time. |
| 38 | Ship not later than date/time Date/time by which the goods should have been shipped. |
| 44 | Availability Date/time when received item is available. |
| 50 | Goods receipt date/time Date/time upon which the goods were received by a given party. |
| 55 | Confirmed date/time Date/time which has been confirmed. |

Used Codes

| | |
|----|---|
| 58 | Clearance date (Customs) (3080) Date on which Customs formalities necessary to allow goods to be exported, to enter home use, or to be placed under another Customs procedure has been accomplished (CCC). |
| 59 | Inbond movement authorization date Inland movement authorization date. |
| 61 | Cancel if not delivered by this date The date on which cancellation should take place, if delivery has not occurred. |
| 63 | Delivery date/time, latest Date identifying a point of time after which goods shall not or will not be delivered. |
| 64 | Delivery date/time, earliest Date identifying a point in time before which the goods shall not be delivered. |
| 67 | Delivery date/time, current schedule Delivery Date deriving from actual schedule. |
| 69 | Delivery date/time, promised for [2138] Date by which, or period within which, the merchandise should be delivered to the buyer, as agreed between the seller and the buyer (generic term). |
| 71 | Delivery date/time, requested for (after and including) Delivery is requested to happen after or on given date. |
| 72 | Delivery date/time, promised for (after and including) Delivery might take place earliest at given date. |
| 73 | Guarantee period The period for which the guarantee is or will be granted. |
| 74 | Delivery date/time, requested for (prior to and including) Delivery is requested to happen prior to or including the given date. |
| 75 | Delivery date/time, promised for (prior to and including) Delivery might take place latest at given date. |
| 76 | Delivery date/time, scheduled for The date/time for which delivery is scheduled. |
| 79 | Shipment date/time, promised for Shipment might happen at given date/time. |
| 90 | Report start date The date on which a report is to begin. |
| 91 | Report end date The date on which a report is to end. |

Used Codes

| | |
|-----|---|
| 94 | Production/manufacture date Date on which goods are produced. |
| 95 | Bill of lading date Date as specified on the bill of lading. |
| 99 | Quotation opening date The date on which the quotation has been or may be opened. |
| 100 | Product ageing period before delivery Period of time before delivery during which the product is ageing. |
| 102 | Health problem period Period of time of health problem. GS1 Description: Period of time of exceptional health problems. |
| 117 | Delivery date/time, first First possible date/time for delivery. |
| 119 | Test completion date Date when a test has been completed. |
| 124 | Despatch note date [2218] Date when a Despatch Note is issued. |
| 126 | Contract date [2326] Date when a Contract is agreed. |
| 128 | Delivery date/time, last Date when the last delivery should be or has been accomplished. |
| 129 | Exportation date Date when imported vessel/merchandise last left the country of export for the country of import. |
| 131 | Tax point date Date on which tax is due or calculated. |
| 132 | Arrival date/time, estimated (2348) Date/time when carrier estimates that a means of transport should arrive at the port of discharge or place of destination. |
| 133 | Departure date/time, estimated Date/time when carrier estimates that a means of transport should depart at the place of departure. |
| 134 | Rate of exchange date/time Date/time on which the exchange rate was fixed. |
| 136 | Departure date/time [2280] Date (and time) of departure of means of transport. |

Used Codes

| | |
|-----|--|
| 137 | Document/message date/time (2006) Date/time when a document/message is issued. This may include authentication. |
| 138 | Payment date [2034] Date on which an amount due is made available to the creditor, in accordance with the terms of payment. |
| 140 | Payment due date Date/time at which funds should be made available. |
| 143 | Acceptance date/time of goods [2126] Date on which the goods are taken over by the carrier at the place of acceptance (CMR 4). |
| 147 | Expiry date of export licence [2078] Date of expiry of the validity of an Export Licence. |
| 151 | Importation date Date on which goods are imported, as determined by the governing Customs administration. |
| 152 | Exportation date for textiles Date when imported textiles last left the country of origin for the country of importation. |
| 154 | Acceptance date of document The date on which a document was accepted. GS1 Description: Date on which a document was, or will be, accepted. |
| 155 | Accounting period start date The first date of an accounting period. |
| 156 | Accounting period end date The last date of an accounting period. |
| 157 | Validity start date The first date of a period for which something is valid. |
| 162 | Release date of supplier Date when the supplier released goods. |
| 165 | Tax period start date Date when a tax period begins. |
| 166 | Tax period end date Date when a tax period ends. |
| 167 | Charge period start date The charge period's first date. |
| 168 | Charge period end date The charge period's last date. |

Used Codes

| | |
|-----|---|
| 169 | Lead time Time required between order entry till earliest goods delivery. |
| 171 | Reference date/time Date/time on which the reference was issued. |
| 174 | Advise after date/time The information must be advised after the date/time indicated. |
| 175 | Advise before date/time The information must be advised before the date/time indicated. |
| 176 | Advise completed date/time The advise has been completed at the date indicated. |
| 177 | Advise on date/time The information must be advised on the date/time indicated. |
| 178 | Arrival date/time, actual [2106] Date (and time) of arrival of means of transport. |
| 179 | Booking date/time Date at which the booking was made. |
| 180 | Closing date/time Final date for delivering cargo to a liner ship. |
| 182 | Issue date Date when a document/message has been or will be issued. |
| 186 | Departure date/time, actual (2280) Date (and time) of departure of means of transport. |
| 189 | Departure date/time, scheduled Date (and time) of scheduled departure of means of transport. |
| 190 | Transshipment date/time Date and time of the transfer of the goods from one means of transport to another. |
| 191 | Delivery date/time, expected Date/time on which goods are expected to be delivered. |
| 192 | Expiration date/time of customs document Date on which validity of a customs document expires. |
| 193 | Execution date The date when ordered bank initiated the transaction. |
| 194 | Start date/time Date/time on which a period starts. |
| 195 | Expiry date of import licence [2272] Date of expiry of the validity of an Import Licence. |

Used Codes

| | |
|-----|--|
| 199 | Positioning date/time of goods The date and/or time the goods have to be or have been positioned. |
| 200 | Pick-up/collection date/time of cargo Date/time at which the cargo is picked up. |
| 202 | Posting date The date when an entry is posted to an account. |
| 203 | Execution date/time, requested The date/time on which the ordered bank is requested to initiate the payment order, as specified by the originator (e.g. the date of the debit). |
| 206 | End date/time Date/time on which a period (from - to) ends. |
| 209 | Value date Date on which the funds are at the disposal of the beneficiary or cease to be at the disposal of the ordering customer. |
| 211 | 360/30 Calculation is based on year of 360 days, month of 30 days. |
| 212 | 360/28-31 Calculation is based on year of 360 days, month of 28-31 days. |
| 213 | 365-6/30 Calculation is based on year of 365-6 days, month of 30 days. |
| 214 | 365-6/28-31 Calculation is based on year of 365-6 days, month of 28-31 days. |
| 215 | 365/28-31 Calculation is based on year of 365 days, month of 28-31 days. |
| 216 | 365/30 Calculation is based on year of 365 days, month of 30 days. |
| 218 | Authentication/validation date/time The date/time of authentication and/or validation. |
| 219 | Crossborder date/time Date/time at which goods are transferred across a country border. |
| 221 | Interest period Number of days used for the calculation of interests. |
| 222 | Presentation date, latest Latest date for presentation of a document. |
| 223 | Delivery date/time, deferred New date and time of delivery calculated on basis of a consignee's requirement (chargeable). |

Used Codes

| | |
|-----|--|
| 227 | Beneficiary's banks due date Date on which funds should be made available to the beneficiary's bank. |
| 231 | Arrival date/time, earliest Date/time of earliest arrival of means of transport. |
| 232 | Arrival date/time, scheduled Date (and time) of scheduled arrival of means of transport. |
| 234 | Collection date/time, earliest The transport order may be issued before the goods are ready for picking up. This date/time indicates from when on the carrier can have access to the consignment. |
| 235 | Collection date/time, latest In relation with the arrangements agreed between buyer and seller or between sender and main transport it may be necessary to specify the latest collection date/time. |
| 255 | Availability due date Date when ordered items should be available at a specified location. |
| 257 | Calculation date/time/period The date/time/period on which a calculation will take, or has taken, place. |
| 260 | Valuation date (Customs) Date when Customs valuation was made. |
| 261 | Release date/time Date/time assigned to identify the release of a set of rules, conditions, conventions, productions, etc. |
| 263 | Invoicing period Period for which an invoice is issued. |
| 265 | Due date The date on which some action should occur. |
| 266 | Validation date The date on which something was made valid, ratified or confirmed. GS1 Description: The date on which the validation of a document or message has taken place. |
| 267 | Rate/price date/time Date/time on which a rate/price is determined. |
| 273 | Validity period Dates (from/to)/period referenced documents are valid. |
| 282 | Confirmation date lead time Lead time is referenced to the date of confirmation. |
| 306 | Work period Period of execution of works. |

Used Codes

| | |
|-----|---|
| 310 | Received date/time Date/time of receipt. |
| 315 | Agreement to pay date Date on which the debtor agreed to pay. |
| 321 | Promotion date/period Date/period relevant for specific promotion activities. |
| 322 | Accounting period Self-explanatory. GS1 Description: Period related to a company's accounting procedures/fiscal calendar. |
| 324 | Processing date/period Date/period a specific process happened/will happen. |
| 325 | Tax period Period a tax rate/tax amount etc. is applicable. GS1 Description: A period which is designated by tax authorities, e.g. VAT period. |
| 326 | Charge period Period a specified charge is valid for. |
| 328 | Payroll deduction date/time Date/time of a monetary deduction made from the salary of a person on a payroll. |
| 334 | Status change date/time Date/time when a status changes. |
| 349 | Packing end date Date on which packing completed. |
| 350 | Test start date Date when a test has been started. |
| 351 | Inspection date Date of inspection. |
| 356 | Sales date, and or time, and or period The date, and or time, and or period on which a sale took place. |
| 357 | Cancel if not published by this date Cancel if not published by this date. |
| 358 | Scheduled for delivery on or after Scheduled for delivery on or after the specified date, and or time. |
| 359 | Scheduled for delivery on or before Scheduled for delivery on or before specified date and or time. |

Used Codes

| | |
|-----|--|
| 360 | Sell by date The date by which a product should be sold. |
| 361 | Best before date The best before date. |
| 362 | End availability date The end date of availability. |
| 363 | Total shelf life period A period indicating the total shelf life of a product. |
| 364 | Minimum shelf life remaining at time of despatch period Period indicating the minimum shelf life remaining for a product at the time of leaving the supplier. |
| 365 | Packaging date The date on which the packaging of a product took place. |
| 366 | Inventory report date Date on which a inventory report is made. |
| 367 | Previous meter reading date Date on which the previous reading of a meter took place. |
| 368 | Latest meter reading date Date on which the latest reading of a meter took place. |
| 369 | Date and or time of handling, estimated The date and or time when the handling action is estimated to take place. |
| 381 | Product Lifespan at time of production (GS1 Temporary Code) The total lifespan of a product at the time of its production. |
| 382 | Earliest sale date The earliest date on which the product may be made available for sale. |
| 383 | Cancel if not shipped by this date Cancel the order if goods not shipped by this date. GS1 Description: Cancel the identified order if it has not been shipped/despatched by this date. |
| 417 | Previous booking date/time Date/time at which the previous booking was made. |
| 418 | Minimum shelf life remaining at time of receipt The minimum shelf life remaining at the time of receipt. |
| 419 | Forecast period A period for which a forecast applies. GS1 Description: A validity period for a forecast. |

Used Codes

| | |
|-----|---|
| 423 | First date of ordering The first date on which ordering may take place. |
| 424 | Last date of ordering The last date on which ordering may take place. |
| 434 | Maturity date Date at which maturity occurs. |
| 447 | Creditor's requested value date Date on which the creditor requests to be credited. |
| 448 | Referenced item creation date Creation date of referenced item. |
| 454 | Accounting value date Date against which the entry has to be legally allocated. |
| 496 | Reinstatement date Identifies the date of reinstatement. |
| 506 | Back order delivery date/time/period The date/time/period during which the delivery of a back order will take, or has taken, place. |
| 530 | Fumigation date and/or time The date/or time on which fumigation is to occur or has taken place. |
| 531 | Payment period A period of time in which a payment has been or will be made. |
| 536 | Review date Date the item was or will be reviewed. |
| 541 | First published date Date when material was first published. |
| 557 | Returned date Date return takes place. GS1 Description: Date by which goods must be, or have been, returned. |
| 656 | Age Length of time that a person or thing has existed. GS1 Description: Length of time that a person or animal has lived or a thing has existed. |
| 684 | Deletion date The date on which deletion occurs. |
| 685 | First sale date and/or time and/or period The first date, and/or time, and/or period a product was sold. |

Used Codes

| | |
|-----|--|
| 686 | Last sale date and/or time and/or period The last date, and/or time, and/or period a product was sold. |
| 706 | File generation date and/or time Date and, or time of file generation. |
| 743 | Purchase order latest possible change date Date identifying a point of time after which a purchase order cannot be changed. |
| 748 | Open period Code identifying the period during which something is, was or will be open. |
| 750 | Before date The specified before date. EDIFACT |
| 751 | After date The specified after date. EDIFACT |
| 753 | Maturity date, optimal Date at which optimal maturity occurs. EDIFACT |
| 754 | Product ageing duration, maximum Maximum period of time during which the product is ageing. EDIFACT |
| 755 | Product ageing duration, minimum Minimum period of time during which the product is ageing. EDIFACT |
| 758 | Trade item ship date/time, earliest possible The earliest date/time that the trade item can be shipped. It indicates the earliest date that the trade item can be shipped. This is independent of any specific ship-from location. |
| 759 | Trade item ship date/time, latest possible The latest date/time that the trade item can be shipped. It indicates the latest date that the trade item can be shipped. This is independent of any specific ship-from location. |
| 760 | Start date/time, maximum buying quantity The date/time from which the maximum buying quantity may be purchased. The start date for when the maximum buying quantity is available to the trading partner. |
| 761 | Start date/time, minimum buying quantity The date/time from which the minimum buying quantity may be purchased. The start date for when the minimum buying quantity is available to the trading partner. |

Used Codes

| | |
|-----|---|
| 762 | Marketing campaign end date/time, suggested The date and or time suggested for the marketing campaign to end. The date suggested by the supplier for the campaign to end. It indicates the end of a marketing campaign. |
| 763 | Marketing campaign start date/time, suggested The date and or time suggested for the marketing campaign to start. The date suggested by the supplier for the campaign to start. It indicates the beginning of a marketing campaign. |
| 764 | Start availability date The start date of availability. Indicates the start date of the trade item's seasonal availability. |
| 765 | Seasonal availability calendar year The calendar year of the season in which the trade item is available. |
| 766 | Goods pickup lead time Minimum time required between order entry and goods release for pick-up. Time (in weeks, days, hours ...) required between order entry and the earliest goods release (use for pick-up, not use for delivery). |
| 767 | Change date/time, latest Most recent date and/or time that the information has been changed. A system generated value identifying the date and time a record was last updated. |
| 768 | End date/time, maximum buying quantity The date and/or time until which the maximum buying quantity may be purchased. The end date for when the maximum buying quantity is no longer available to the trading partner. |
| 769 | End date/time, minimum buying quantity The date and/or time until which the minimum buying quantity may be purchased. The end date for when the minimum buying quantity is no longer available to the trading partner. |
| 770 | End date/time of exclusivity The date and/or time until which a product is exclusive. The Date & Time at which a product is no longer exclusive to that trading partner. |
| 772 | Handling start date and/or time, actual The actual date and/or time when the start of the handling action takes place. |
| 773 | Handling end date and/or time, estimated The date and/or time when the end of the handling action is estimated to take place. |
| 774 | Handling end date and/or time, actual The actual date and/or time when the end of the handling action takes place. |

Used Codes

| | |
|-----|--|
| 775 | <p>Minimum product lifespan for consumer</p> <p>The minimum life span of the product remaining after selling it to the consumer, i.e. between the "sell by date" and the "use by date" of the product.</p> |
| 789 | <p>Opened trade item life span</p> <p>The number of days the trade item that had been opened can remain on the shelf and must then be removed.</p> |
| 793 | <p>Reprocessing date/time</p> <p>Date/time on which goods previously produced are re-processed.</p> |
| 794 | <p>First returnable date/time</p> <p>The first date/time on or after which items can be returned.</p> |
| 795 | <p>Community visibility date/time</p> <p>The date/time from which information becomes visible to the target community.</p> |
| 796 | <p>Catch date/time</p> <p>Date/time of catch.</p> |
| 799 | <p>Validity end date</p> <p>The last date of a period for which something is valid. GS1 Note: Replaces GS1 Temporary Code 21E.</p> |
| 800 | <p>Next status report date</p> <p>Date of the next status report. GS1 Note: Replaces GS1 Temporary Code 40E.</p> |
| 801 | <p>Service connection date/time, actual</p> <p>The date/time on which a service was connected, e.g. telephone, water, etc. GS1 Note: Replaces GS1 Temporary Code 44E.</p> |
| 802 | <p>Service disconnection date/time, actual</p> <p>The date/time on which a service was DISconnected, e.g. telephone, water, etc. GS1 Note: Replaces GS1 Temporary Code 45E.</p> |
| 803 | <p>Empty equipment required date/time/period</p> <p>Date/time/period on which empty equipment is required. GS1 Note: Replaces GS1 Temporary Code 50E.</p> |
| 804 | <p>Product sterilisation date</p> <p>Date on which a product was sterilised. GS1 Note: Replaces GS1 Temporary Code 90E.</p> |
| 805 | <p>Stock demand cover period, expected</p> <p>A period of time when stocks are expected to cover demand for a product. GS1 Note: Replaces GS1 Temporary Code 96E.</p> |
| 806 | <p>Shipment date/time, expected</p> <p>Date and/or time when shipment is expected. GS1 Note: Replaces GS1 Temporary Code X13.</p> |

Used Codes

| | |
|-----|--|
| 807 | Slaughtering date/time Date/time of slaughtering |
| 808 | Animal birth date/time Date/time when an animal was born |
| 809 | Seasonal availability end date Indicates the end date of the trade item's seasonal availability |
| 822 | Delivery place booking date/time Date/time at which a booking was made at the delivery place. |
| 823 | Pickup place booking date/time Date/time at which a booking was made at the pickup place. |
| 21E | End validity date (GS1 Temporary Code) Date indicating the end date of a validity period. GS1 Note: Code marked for deletion. Use value 799 instead. |
| 40E | Next status date (GS1 Temporary Code) The next date on which a status report will be provided. GS1 Note: Code marked for deletion. Use value 800 instead. |
| 41E | Product lifespan from time of production (GS1 Temporary Code) An indication of the lifespan of a product from its time of production. |
| 44E | Connection date/time (GS1 Temporary Code) The date/time on which a service was connected, e.g. telephone, water, etc. Connection date/time |
| 45E | Disconnection date/time (GS1 Temporary Code) The date/time on which a service was disconnected, e.g. telephone, water, etc. GS1 Note: Code marked for deletion. Use value 802 instead. |
| 46E | Order completion date/time (GS1 Temporary Code) The date/time on which an order was completed. |
| 50E | Empty equipment required date/time/period (GS1 Temporary Code) Date on which empty equipment is required. GS1 Note: Code marked for deletion. Use value 803 instead. |
| 54E | Stuffing date/time (GS1 Temporary Code) The date/time on which the stuffing of a container is to take place, or has taken place. |
| 55E | Un-stuffing date/time (GS1 Temporary Code) The date/time on which the un-stuffing of a container is to take place, or has taken place. |
| 61B | Cancel if not delivered by this date unless title not published at time (GS1 Temporary Code) Cancel the product ordered if it has not been delivered by this date unless it had not been published at the time of order. GS1 Note: Code marked for deletion. |

Used Codes

| | |
|-----|--|
| 63B | Latest availability date if not yet despatched (GS1 Temporary Code) The latest availability date required for a product or order if it has not already been despatched. |
| 90E | Product sterilisation date (GS1 Temporary Code) Date on which a product was sterilised. GS1 Note: Code marked for deletion. Use value 804 instead. |
| 91E | First freezing date (GS1 Temporary Code) Date on which a product was first frozen. |
| 92E | Pension deduction payment date (GS1 Temporary Code) Date when the deduction was made from the salary of the employee. |
| 93E | Professional risk deduction payment date (GS1 Temporary Code) Date when the risk deduction was made from the salary of the employee. |
| 94E | Health care deduction payment date (GS1 Temporary Code) Date when health care deduction was made. |
| 96E | Stock cover period (GS1 Temporary Code) A period of time when all stocks are expected to cover demand for a product. GS1 Note: Code marked for deletion. Use value 805 instead. |
| 98E | Discharge date/time, start (GS1 Temporary Code) Date/time when all discharge operations on the transport means have actually been started. |
| X13 | Expect to ship by (GS1 Temporary Code) The consignment is expected to be shipped by this date and/or time. GS1 Note: Code marked for deletion. Use value 806 instead. |
| X14 | Requested for delivery week commencing (GS1 Temporary Code) Code requesting delivery of an order or order line during a specified week. |
| X19 | Material Safety Data Sheet issue date (GS1 Temporary Code) A date when a Material Safety Data Sheet has been or will be issued. |
| X20 | Slaughter date/time (GS1 Temporary Code) Date/time of slaughtering of an animal. GS1 Note: Code marked for deletion. Use value 807 instead. |
| X21 | Animal Birth date/time (GS1 Temporary Code) Date/time when an animal was born. For traceability purposes. GS1 Note: Code marked for deletion. Use value 808 instead. |
| X49 | Seasonal availability end date (GS1 Temporary Code) Indicates the end date of the trade item's seasonal availability. GS1 Note: Code marked for deletion. Use value 809 instead. |
| X50 | Committed quantity announcement date (GS1 Temporary Code) The date when quantity committed by store could be announced to the supply chain of the retailer. |

Used Codes

| | |
|-------------|--|
| XF2 | Date of issue and maturity (SWIFT Code) Date when a document/message has been issued and becomes mature. |
| YB9 | Total credits (SWIFT Code) The total value of credits to a financial account. |
| 2379 | Date or time or period format code Code specifying the representation of a date, time or period. |
| 2 | DDMMYY Calendar date: D = Day; M = Month; Y = Year. |
| 101 | YYMMDD Calendar date: Y = Year; M = Month; D = Day. |
| 102 | CCYYMMDD Calendar date: C = Century ; Y = Year ; M = Month ; D = Day. |
| 104 | MMWW-MMWW A period of time specified by giving the start week of a month followed by the end week of a month. Data is to be transmitted as consecutive characters without hyphen. |
| 107 | DDD Day's number within a specific year: D = Day. |
| 108 | WW Week's number within a specific year: W = Week. |
| 109 | MM Month's number within a specific year: M = Month. |
| 110 | DD Day's number within is a specific month. |
| 201 | YYMMDDHHMM Calendar date including time without seconds: Y = Year; M = Month; D = Day; H = Hour; M = Minute. |
| 203 | CCYYMMDDHHMM Calendar date including time with minutes: C=Century; Y=Year; M=Month; D=Day; H=Hour; M=Minutes. |
| 204 | CCYYMMDDHHMMSS Calendar date including time with seconds: C=Century;Y=Year; M=Month; D=Day;H=Hour;M=Minute;S=Second. |
| 401 | HHMM Time without seconds: H = Hour; m = Minute. |
| 501 | HHMMHHMM Time span without seconds: H = Hour; m = Minute;. |

Used Codes

| | |
|-----|---|
| 502 | HHMMSS-HHMMSS Format of period to be given without hyphen. |
| 602 | CCYY Calendar year including century: C = Century; Y = Year. |
| 609 | YYMM Month within a calendar year: Y = Year; M = Month. |
| 610 | CCYYMM Month within a calendar year: CC = Century; Y = Year; M = Month. |
| 615 | YYWW Week within a calendar year: Y = Year; W = Week 1st week of January = week 01. |
| 616 | CCYYWW Week within a calendar year: CC = Century; Y = Year; W = Week (1st week of January = week 01). |
| 713 | YYMMDDHHMM-YYMMDDHHMM Format of period to be given in actual message without hyphen. |
| 715 | YYWW-YYWW A period of time specified by giving the start week of a year followed by the end week of year (both not including century). Data is to be transmitted as consecutive characters without hyphen. |
| 717 | YYMMDD-YYMMDD Format of period to be given in actual message without hyphen. |
| 718 | CCYYMMDD-CCYYMMDD Format of period to be given without hyphen. |
| 719 | CCYYMMDDHHMM-CCYYMMDDHHMM A period of time which includes the century, year, month, day, hour and minute. Format of period to be given in actual message without hyphen. |
| 720 | DHHMM-DHHMM Format of period to be given without hyphen (D=day of the week, 1=Monday; 2=Tuesday; ... 7=Sunday). |
| 801 | Year To indicate a quantity of years. |
| 802 | Month To indicate a quantity of months. |
| 803 | Week To indicate a quantity of weeks. |
| 804 | Day To indicate a quantity of days. |

Used Codes

| | |
|-------------|---|
| 805 | Hour To indicate a quantity of hours. |
| 806 | Minute To indicate a quantity of minutes. |
| 810 | Trimester To indicate a quantity of trimesters (three months). |
| 811 | Half month To indicate a quantity of half months. |
| 21E | DDHHMM-DDHHMM (GS1 Temporary Code) Format of period to be given in actual message without hyphen. |
| 3035 | Party function code qualifier Code giving specific meaning to a party. |
| AB | Buyer's agent/representative Third party who arranged the purchase of merchandise on behalf of the actual buyer. |
| ACD | Party has access to all non publicly available data (GS1 Temporary Code) The identified party has access to all non publicly available pricing and non-pricing data associated with the current product. |
| ACN | Party has access only to non publicly available non-pricing data (GS1 Temporary Code) The identified party has access only to the non publicly available non-pricing data associated with the current product. |
| ACP | Party has access only to non publicly available pricing data (GS1 Temporary Code) The identified party has access only to the non publicly available pricing data associated with the current product. |
| AE | Declarant's agent/representative Any natural or legal person who makes a declaration to an official body on behalf of another natural or legal person, where legally permitted (CCC). |
| AG | Agent/representative (3196) Party authorized to act on behalf of another party. |
| AP | Accepting party (3352) Party accepting goods, products, services etc. |
| AS | Account servicing financial institution Identifies the financial institution servicing the account(s). |
| BE | Beneficiary The ultimate recipient of the funds. Normally the account owner who is reimbursed by the payor. |

Used Codes

| | |
|-----|--|
| BF | Beneficiary's bank Identifies the account servicer for the beneficiary or the payee. |
| BK | Financial institution Party acting as financial institution. |
| BL | Bill of lading recipient Party to receive B/L. |
| BO | Broker or sales office Party acting in the name of the seller as broker or as sales office. |
| BQ | Cheque drawn bank Identifies the bank on which the cheque should be drawn, as instructed by the ordering customer. |
| BS | Bill and ship to Party receiving goods and relevant invoice. |
| BY | Buyer Party to whom merchandise and/or service is sold. |
| CA | Carrier (3126) Party undertaking or arranging transport of goods between named points. |
| CG | Carrier's agent Party authorized to act for or on behalf of carrier. |
| CH | Connecting carrier Owner or operator of a transportation conveyance to which goods in a given transaction will be transferred. |
| CK | Empty equipment despatch party Party from whose premises empty equipment will be or has been despatched. |
| CM | Customs Identification of customs authority relevant to the transaction or shipment. |
| CN | Consignee (3132) Party to which goods are consigned. |
| CO | Corporate office Identification of the Head Office within a company. |
| COD | Quotation requesting party The party sending the requests for quotation. GS1 Note: Replaces GS1 Temporary Code QP. EDIFACT |
| CPE | Central payment service (GS1 Temporary Code) Master of the conveyance. GS1 Description: A party providing central (or consolidated payment) services. |

Used Codes

| | |
|-----|---|
| CPU | Central procurement party (GS1 Temporary Code) Party responsible for all aspects (e.g. tenders, orders, invoices, ..) of procurement. |
| CQ | Cheque order Party to which the cheque will be ordered, when different from the beneficiary. |
| CR | Empty equipment return party Party to whose premises empty equipment will be or has been returned. |
| CRB | Creditor's bank (SWIFT Code) Identifies the account servicer for the creditor. |
| CRE | Creditor (SWIFT Code) The party to be credited with funds. |
| CS | Consolidator Party consolidating various consignments, payments etc. |
| CW | Equipment owner Owner of equipment (container, etc.). |
| CX | Consignee's agent Party authorized to act on behalf of the consignee. |
| CZ | Consignor (3336) Party which, by contract with a carrier, consigns or sends goods with the carrier, or has them conveyed by him. Synonym: shipper, sender. |
| DBB | Debtor's bank (SWIFT Code) Identifies the account servicer for the debtor. |
| DCS | Temporary employee A person employed on a temporary basis. |
| DCT | Designer A party who designs. |
| DCU | Quotation delivered to Party to whom the quotation is to be or has been delivered. EDIFACT |
| DCV | Developer A party who develops. |
| DCX | Party to receive refund Party to whom a refund is given. |
| DEF | Meat cutter Person whose job is to cut up and/or mince meat. EDIFACT |
| DEQ | Shipper Party responsible for the shipment of goods. |

Used Codes

| | |
|-----|---|
| DER | <p>Source data pool</p> <p>A data pool that supports the functionality required by a data source such as data loading, publication, notification, registration, etc.</p> |
| DES | <p>Brand owner</p> <p>The owner of a brand.</p> |
| DFZ | <p>Article information responsible party</p> <p>The party responsible for article information.</p> <p>GS1 Note: Replaces GS1 Temporary Code IPD.</p> |
| DGA | <p>Price information responsible party</p> <p>The party responsible for price information.</p> <p>GS1 Note: Replaces GS1 Temporary Code IPR.</p> |
| DGB | <p>Invoice processing party</p> <p>Party to whom the invoice is sent and who processes the invoice on behalf of the invoicee. Note, the invoicee is legally responsible for the invoice and can be different to the processing party.</p> <p>GS1 Note: Replaces GS1 Temporary Code ITO.</p> |
| DGC | <p>Logistic service provider</p> <p>A party providing logistic services for another party (e.g re-packing suppliers products) on products.</p> <p>GS1 Note: Replaces GS1 Temporary Code LSP.</p> |
| DGD | <p>Fattener</p> <p>Party which provides fattening services.</p> <p>GS1 Note: Replaces GS1 Temporary Code X51.</p> |
| DGE | <p>Breeder</p> <p>Party which provides breeding.</p> <p>GS1 Note: Replaces GS1 Temporary Code X52.</p> |
| DL | <p>Factor</p> <p>Company offering a financial service whereby a firm sells or transfers title to its accounts receivable to the factoring company.</p> |
| DM | <p>Party to whom documents are to be presented</p> <p>Party to whom documents are to be presented.</p> |
| DP | <p>Delivery party</p> <p>(3144) Party to which goods should be delivered, if not identical with consignee.</p> <p>GS1 Description:</p> <p>Party to which goods should be delivered, if not the same as the buyer.</p> |
| DS | <p>Distributor</p> <p>Party distributing goods, financial payments or documents.</p> |
| EM | <p>Party to receive electronic memo of invoice</p> <p>Party being informed about invoice issue (via EDI).</p> |

Used Codes

| | |
|----|--|
| EO | Owner of equipment Party who owns equipment. |
| EX | Exporter (3030) Party who makes - or on whose behalf a Customs clearing agent or other authorized person makes - an export declaration. This may include a manufacturer, seller or other person. Within a Customs union, consignor may have the same meaning as exporter. |
| FD | Buyer's parent company Parent company, e.g. holding company. |
| FP | Freight/charges payer Party responsible for the payment of freight. |
| FR | Message from Party where the message comes from. |
| FW | Freight forwarder Party arranging forwarding of goods. |
| GL | Socially insured person A person who is registered in a social security scheme. |
| GM | Inventory controller To specifically identify the party in charge of inventory control. |
| GO | Goods owner The party which owns the goods. |
| GQ | Slaughterer Party or person who has undertaken or will undertake a slaughter. |
| GW | Party fulfilling all operations Code indicating the fact that the party identified carries out all operations within that company's activities. |
| GX | Central catalogue party Party controlling a central catalogue. |
| GY | Inventory reporting party Party reporting inventory information. |
| GZ | Substitute supplier Party which may be in a position to supply products or services should the main usual supplier be unable to do so. |
| HP | Final message recipient To identify the final recipient of the message. |
| HQ | Owner of account (SWIFT Code) Identifies the owner of the account. |

Used Codes

| | |
|-----|--|
| HX | Debtor (SWIFT Code) Party from whom payment is due. |
| I1 | Intermediary bank 1 A financial institution between the ordered bank and the beneficiary's bank. |
| I2 | Intermediary bank 2 A financial institution between the ordered bank and the beneficiary's bank. |
| II | Issuer of invoice (3028) Party issuing an invoice. |
| IM | Importer (3020) Party who makes - or on whose behalf a Customs clearing agent or other authorized person makes - an import declaration. This may include a person who has possession of the goods or to whom the goods are consigned. |
| IN | Insurer A person or company offering insurance policies for premiums. |
| IPA | Party information party (GS1 Temporary Code) The party in a company who is responsible for the party information. The PARTIN message may be requested from or sent by this party. |
| IPD | Article information party (GS1 Temporary Code) The party in a company who is responsible for the pricing or other article information. The PRICAT or PRODAT messages may be requested from or sent by this party. GS1 Note: Code marked for deletion. Use value DFZ instead. |
| IPR | Price information party (GS1 Temporary Code) The party in a company who is responsible for the price information. The PRICAT message may be requested from or sent by this party. GS1 Note: Code marked for deletion. Use value DGA instead. |
| ITO | Invoice recipient party (GS1 Temporary Code) Party to whom the invoice is sent and who processes the invoice on behalf of the invoicee. Note, the invoicee is legally responsible for the invoice and can be different to the processing party. GS1 Note: Code marked for deletion. Use value DGB instead. |
| IV | Invoicee (3006) Party to whom an invoice is issued. |
| JB | Goods collection party Party that will collect or has collected the goods. GS1 Description: Party that will collect or has collected the goods. |
| LC | Party declaring the Value Added Tax (VAT) A code to identify the party who is responsible for declaring the Value Added Tax (VAT) on the sale of goods or services. |

Used Codes

| | |
|-----|--|
| LD | Party recovering the Value Added Tax (VAT) A code to identify the party who is eligible to recover the Value Added Tax (VAT) on the sale of goods or services. |
| LF | Buyer's corporate office The identification of the buyer's corporate office. |
| LG | Supplier's corporate office The identification of the supplier's corporate office. |
| LP | Loading party Party responsible for the loading when other than carrier. |
| LSP | Logistic Service Provider (GS1 Temporary Code) A party providing logistic services for another party (e.g re-packing suppliers products) on products which may lead to added value for the product. GS1 Note: Code marked for deletion. Use value DGC instead. |
| MA | Party for whom item is ultimately intended Party for whom item is ultimately intended. |
| MF | Manufacturer of goods Party who manufactures the goods. |
| MP | Manufacturing plant Self explanatory. GS1 Description: Industrial department of a company in which goods are manufactured with appropriate equipment and fittings. |
| MR | Message recipient A party to receive a message or messages. |
| MS | Document/message issuer/sender Issuer of a document and/or sender of a message. |
| N1 | Notify party no. 1 The first party which is to be notified. |
| N2 | Notify party no. 2 The second party which is to be notified. |
| NFP | No function priority allocated (GS1 Temporary Code) Code indicating that the party identified is capable of carrying out all or most functions within the party. |
| NI | Notify party (3180) Party to be notified of arrival of goods. |
| OB | Ordered by Party who issued an order. GS1 Description: Party who issued an order for goods and services. |

Used Codes

| | |
|----|--|
| OR | Ordered bank Identifies the account servicer for the ordering customer or payor. |
| OS | Original shipper The original supplier of the goods. |
| OV | Owner of means of transport (3126) Party owning the means of transport. No synonym of carrier = CA. |
| OY | Ordering customer Identifies the originator of the instruction. GS1 Description: Only used in financial messages. |
| P1 | Contact party 1 First party to contact. |
| P2 | Contact party 2 Second party to contact. |
| PB | Paying financial institution Financial institution designated to make payment. |
| PE | Payee Identifies the credit party when other than the beneficiary. |
| PF | Party to receive freight bill Party to whom the freight bill should be sent. |
| PL | Payor Identifies the debit party when other than the ordering customer (for banking purposes). |
| PO | Ordering party To be used only if ordering party and buyer are not identical. |
| PR | Payer (3308) Party initiating payment. |
| PW | Despatch party (3282) Party where goods are collected or taken over by the carrier (i.e. if other than consignor). |
| PX | Party to receive all documents A party which is named to be the recipient of all documents. |
| PY | Checking party Party or contact designated on behalf of carrier or his agent to establish the actual figures for quantities, weight, volume and/or (cube) measurements of goods or containers which are to appear in the transport contract and on which charges will be based. |

Used Codes

| | |
|----|---|
| RA | Central bank or regulatory authority Identifies central bank or regulatory authority which must be informed of certain aspects of a message. |
| RB | Receiving financial institution Financial institution designated to receive payment. |
| RE | Party to receive commercial invoice remittance Party to whom payment for a commercial invoice or bill should be remitted. |
| RH | Seller's financial institution Financial institution designated by seller to receive payment. RDFI (ACH transfers). |
| RV | Receiver of cheque Identifies the party which is to receive the actual cheque, when different from the receiver of funds. |
| SA | Sales person number (GS1 Temporary Code) The identification of a sales person number. GS1 Note: Code marked for deletion. Use value SE instead. |
| SE | Seller (3346) Party selling merchandise to a buyer. GS1 Note: Replaces GS1 Temporary Code SA. |
| SF | Ship from Identification of the party from where goods will be or have been shipped. |
| SN | Store number A party keeping a shop or store. GS1 Description: Number allocated to identify a store. |
| SR | Supplier's agent/representative (3254) Party representing the seller for the purpose of the trade transaction. GS1 Description: Party representing the supplier for the purpose of the trade transaction. |
| SS | Social securities collector's office Party collecting social securities premiums. |
| ST | Ship to Identification of the party to where goods will be or have been shipped. |
| SU | Supplier Party who supplies goods and/or services. GS1 Description: Party which provides service(s) and/or manufactures or otherwise has possession of goods, and consigns or makes them available in trade. |
| TC | Tax collector's office Party collecting taxes. |

Used Codes

| | |
|-----|--|
| TPE | Testing party (GS1 Temporary Code) A party authorized to carry out a specified test. |
| TS | Party to receive certified test results Party to whom the certified test results should be sent. |
| UC | Ultimate consignee Party who has been designated on the invoice or packing list as the final recipient of the stated merchandise. |
| UD | Ultimate customer The final recipient of goods. |
| WH | Warehouse keeper (3022) Party taking responsibility for goods entered into a warehouse. |
| WS | Wholesaler Seller of articles, often in large quantities, to be retailed by others. |
| X47 | Cash register number (GS1 Temporary Code) Number allocated to identify a cash register. |
| X48 | Corporate identity (GS1 Temporary Code) The identity of party to whom all other parties of the same commercial organisation are linked. |
| X50 | Mincing plant (GS1 Temporary Code) A place where the meat of animals is cut into very small pieces using a meat grinder. GS1 Note: Code marked for deletion. |
| X51 | Fattener (GS1 Temporary Code) Party which fattens the animal. GS1 Note: Code marked for deletion. Use value DGD instead. |
| X52 | Breeder (GS1 Temporary Code) Party which breeds the animal. GS1 Note: Code marked for deletion. Use value DGE instead. |
| X53 | Content Owner (GS1 Temporary Code) Not available. GS1 Note: Code marked for deletion. |
| X54 | Temperature variation (GS1 Temporary Code) Temperature variation upward or downward |
| X56 | No / missing loading space (GS1 Temporary Code) The goods/consignment/equipment could not be loaded because of no/missing loading space. |
| ZZZ | Mutually defined Party specification mutually agreed between interchanging parties. |

Used Codes

| | |
|-------------|---|
| 3045 | Party name format code Code specifying the representation of a party name. |
| 1 | Name components in sequence as defined in description below Name component 1: Family name. Name component 2: Given name or initials. Name component 3: Given name or initials. Name component 4: Maiden name. Name component 5: Title Group of name components transmitted in sequence with name component 1 transmitted first. The maiden name is the family name given at birth of a female. Other names are self-explanatory. |
| 3055 | Code list responsible agency code Code specifying the agency responsible for a code list. |
| 2 | CEC (Commission of the European Communities) Generic: see also 140, 141, 142, 162. GS1 Description: Commission of the European Communities |
| 3 | IATA (International Air Transport Association) The airline industry's international organisation. GS1 Description: International Air Transport Association |
| 5 | ISO (International Organization for Standardization) International Organization of Standardization. |
| 6 | UN/ECE (United Nations - Economic Commission for Europe) United Nations Economic Commission for Europe. |
| 7 | CEFIC (Conseil Europeen des Federations de l'Industrie Chimique) EDI project for chemical industry. |
| 8 | EDIFICE Standardised electronic commerce forum for companies with interests in computing, electronics and telecommunications. GS1 Description: EDI Forum for companies with Interest in Computing and Electronics (EDI project for EDP/ADP sector). |
| 9 | GS1 GS1 (formerly EAN International), an organisation of GS1 Member Organisations, which manages the GS1 System. GS1 Description: GS1 International. |
| 10 | ODETTE Organization for Data Exchange through Tele-Transmission in Europe (European automotive industry project). |
| 17 | S.W.I.F.T. Society for Worldwide Interbank Financial Telecommunications s.c. |

Used Codes

| | |
|-----|---|
| 28 | EDITEUR (European book sector electronic data interchange group) Code identifying the pan European user group for the book industry as an organisation responsible for code values in the book industry. |
| 60 | Assigned by national trade agency The code list is from a national agency. |
| 65 | GS1 France Organisation responsible for GS1 System in France. |
| 68 | GS1 Italy Organisation responsible for GS1 System in Italy. |
| 83 | US, National Retail Federation The National Retail Federation is the trade association for the general merchandise retailing industry. In addition to providing support and education services, they also maintain and publish standard colour and size codes for the retail industry. |
| 84 | DE, BRD (Gesetzgeber der Bundesrepublik Deutschland) German legislature. |
| 86 | Assigned by party originating the message Codes assigned by the party originating the message. |
| 87 | Assigned by carrier Codes assigned by the carrier. |
| 88 | Assigned by owner of operation Assigned by owner of operation (e.g. used in construction). |
| 89 | Assigned by distributor Codes assigned by a distributor. |
| 90 | Assigned by manufacturer Code assigned by the manufacturer. |
| 91 | Assigned by supplier or supplier's agent Codes assigned by a seller or seller's agent. GS1 Description: Code assigned by the supplier or supplier's agent. |
| 92 | Assigned by buyer or buyer's agent Codes assigned by a buyer or buyer's agent. |
| 112 | US, U.S. Census Bureau The Bureau of the Census of the U.S. Dept. of Commerce. |
| 113 | GS1 US Organisation responsible for GS1 System in the USA. |
| 116 | US, ANSI ASC X12 American National Standards Institute ASC X12. |

Used Codes

| | |
|-----|---|
| 131 | DE, German Bankers Association German Bankers' Association. |
| 136 | GS1 UK Organisation responsible for GS1 System in the UK. |
| 137 | AT, Verband oesterreichischer Banken und Bankiers Austrian bankers association. |
| 174 | DE, DIN (Deutsches Institut fuer Normung) German standardization institute. |
| 182 | US, Standard Carrier Alpha Code (Motor) Organisation maintaining the SCAC lists and transportation operating in North America. |
| 194 | AU, AQIS (Australian Quarantine and Inspection Service) Australian Quarantine and Inspection Service. |
| 200 | GS1 Netherlands Organisation responsible for GS1 System in the Netherlands. |
| 245 | GS1 Denmark Organisation responsible for GS1 System in Denmark. |
| 246 | GS1 Germany Organisation responsible for GS1 System in Germany. GS1 Description: German representative of International Article Numbering association (GS1). |
| 260 | Ediel Nordic forum A code to identify Ediel Nordic forum, which is an organization standardizing the use of EDI between the participants in the Nordic power market. |
| 281 | GS1 Belgium & Luxembourg Organisation responsible for GS1 System in Belgium & Luxembourg. |
| 286 | SE, TCO (Tjänstemännen Central Organisation) The Swedish Confederation of Professional Employees. |
| 294 | GS1 Austria Organisation responsible for the GS1 System in Austria. |
| 295 | AU, Therapeutic Goods Administration Austrialian administration responsible for the regulation of therapeutic goods in Australia. EDIFACT |
| 297 | IT, Ufficio IVA Ufficio responsabile gestione partite IVA, Italy (Italian Institute issuing VAT registration numbers). EDIFACT |

Used Codes

| | |
|-----|--|
| 298 | GS1 Spain Organisation responsible for the GS1 System in Spain. |
| 316 | GS1 Finland Organisation responsible for the GS1 system in Finland. |
| 317 | GS1 Brazil Organisation responsible for the GS1 system in Brazil. |
| 324 | GS1 Ireland Organisation responsible for the GS1 system in Ireland. |
| 325 | GS1 Russia Organisation responsible for the GS1 system in Russia. |
| 326 | GS1 Poland Organisation responsible for the GS1 system in Poland. |
| 327 | GS1 Estonia Organisation responsible for the GS1 system in Estonia. |
| 376 | PANTONE Color code controlling organisation |
| 400 | FAO (Food and Agriculture Organisation) Food and Agriculture Organisation of the United Nations. |
| 403 | Comite Europeen de Normalisation Comite Européen de Normalisation (CEN), European committee for standardisation. GS1 Note: Replaces GS1 Temporary Code CEN. |
| 404 | Assigned by logistics service provider Codes assigned by a logistics service provider. GS1 Note: Replaces GS1 Temporary Code X6. |
| CEN | Comite European de Normalisation (GS1 Temporary Code) Comite European de Normalisation. GS1 Note: Code marked for deletion. Use value 403 instead. |
| PMS | Pantone Matching System (GS1 Temporary Code) Pantone Matching System. |
| RAL | DE, Deutsches Institut fuer Guetesicherung und Kennzeichnung (GS1 Temporary Code) German Institute for Quality Assurance and Certification. |
| X5 | IT, Ufficio IVA (GS1 Temporary Code) Ufficio responsabile gestione partite IVA, Italy (Italian Institute issuing VAT registration numbers). |
| X6 | Assigned by logistics service provider (GS1 Temporary Code) Codes assigned by the logistics service provider. GS1 Note: Code marked for deletion. Use value 404 instead. |

Used Codes

| | |
|-------------|--|
| ZZZ | Mutually defined A code assigned within a code list to be used on an interim basis and as defined among trading partners until a precise code can be assigned to the code list. |
| 3139 | Contact function code Code specifying the function of a contact (e.g. department or person). |
| AA | Insurance contact Department/person to contact for matters regarding insurance. |
| AD | Accounting contact The contact responsible for accounting matters. |
| AE | Contract contact Department/person to contact for matters regarding contracts. |
| AM | Claims contact Department/person to contact for matters regarding claims. |
| AP | Accounts payable contact Department/person responsible for the accounts payable function within a corporation. |
| AR | Accounts receivable contact Department/person responsible for the accounts receivable within a corporation. |
| BC | Banking contact Contact person for bank. |
| BJ | Department or person responsible for processing purchase order Identification of the department or person responsible for the processing of purchase orders. |
| BN | Certification contact Code specifying a contact with knowledge of a certification action. |
| BO | After business hours contact Department/person to contact after normal working hours. |
| BR | Cook Person responsible for cooking. GS1 Note: Replaces GS1 Temporary Code CKE. |
| CB | Changed by Person who made the change. |
| CKE | Cook (GS1 Temporary Code) Person responsible for cooking. GS1 Note: Code marked for deletion. Use value BR instead. |

Used Codes

| | |
|-----|--|
| CN | Consignee (3132) Party to which goods are consigned. |
| CO | Consignor (3336) Party which, by contract with a carrier, consigns or sends goods with the carrier, or has them conveyed by him. Synonym: shipper/sender. |
| CP | Responsible person for computer data processing Responsible person to contact for matters regarding computer data processing. |
| CR | Customer relations Individual responsible for customer relations. |
| DE | Department/employee to execute export procedures Department/employee which/who executes export procedures. |
| DI | Department/employee to execute import procedures Department/employee which/who executes import procedures. |
| DL | Delivery contact Department/person responsible for delivery. |
| ED | Engineering contact Department/person to contact for matters regarding engineering. |
| GR | Goods receiving contact Department/person responsible for receiving the goods at the place of delivery. |
| HE | Emergency dangerous goods contact Party who is to be contacted to intervene in case of emergency. |
| HG | Dangerous goods contact Department/person to be contacted for details about the transportation of dangerous goods/hazardous material. |
| IC | Information contact Department/person to contact for questions regarding transactions. |
| LO | Place of collection contact Department/employee to be contacted at the place of collection. |
| MGR | Manager (GS1 Temporary Code) Person responsible for management within a department or company. |
| NT | Notification contact Department/employee to be notified. |
| OC | Order contact An individual to contact for questions regarding this order. |
| PD | Purchasing contact Department/person responsible for issuing this purchase order. |

Used Codes

| | |
|-------------|---|
| PM | Product management contact Department/person to contact for questions regarding this order. |
| QC | Quality coordinator contact Quality coordinator contact within an organization. |
| SA | Sales administration Name of the sales administration contact within a corporation. |
| SD | Shipping contact The shipping department contact within an organization. |
| SR | Sales representative or department The sales representative or department contact within an organization. |
| TA | Traffic administrator The traffic administrator contact within an organization. |
| TD | Test contact Department/person responsible for testing contact. |
| TR | Transport contact Department/person in charge of transportation. |
| WH | Warehouse The warehouse contact within an organization. |
| 3155 | Communication address code qualifier Code qualifying the communication address. |
| AL | Cellular phone Identifies the cellular phone number. |
| AO | Uniform Resource Location (URL) Identification of the Uniform Resource Location (URL) Synonym: World wide web address. EDIFACT |
| AQ | X.400 address for mail text The X.400 address accepting information in the body text of a message. |
| AR | AS1 address Address capable of receiving messages in accordance with the EDIINT/AS1 protocol for MIME based EDI . |
| AS | AS2 address Address capable of receiving messages in accordance with the EDIINT/AS2 protocol. |
| AT | AS3 address Address capable of receiving messages in accordance with the EDIINT/AS3 protocol. |

Used Codes

| | |
|-------------|--|
| AU | File Transfer Protocol Address capable for receiving message in accordance with the File Transfer Protocol (IETF RFC 959 et. al.). |
| CA | Cable address The communication number identifies a cable address. |
| EI | EDI Number identifying the service and service user. |
| EM | Electronic mail Exchange of mail by electronic means. GS1 Description: Creating/sending/receiving of unstructured free text messages or documents using computer network, a mini-computer or an attached modem and regular telephone line or other electronic transmission media. |
| EXI | Exite mail (GS1 Temporary Code) Requests that the file shall be returned via Exite. GS1 Note: Code marked for deletion. |
| FX | Fax Device used for transmitting and reproducing fixed graphic material (as printing) by means of signals over telephone lines or other electronic transmission media. |
| IA | Interchange address (GS1 Temporary Code) Code identifying an EDI interchange address. |
| TE | Telephone Voice/data transmission by telephone. |
| TL | Telex Transmission of text/data via telex. |
| XF | X.400 The X.400 address. GS1 Description: CCITT Message handling system. |
| XG | Pager Identifies that the communication number is for a pager. |
| 3207 | Country name code Identification of the name of the country or other geographical entity as defined in ISO 3166-1. Notes: 1. Use ISO 3166-1 two alpha country code. |
| AD | Andorra |
| AE | United Arab Emirates |

Used Codes

| | |
|----|----------------------------------|
| AF | Afghanistan |
| AG | Antigua and Barbuda |
| AI | Anguilla |
| AL | Albania |
| AM | Armenia |
| AO | Angola |
| AQ | Antarctica |
| AR | Argentina |
| AS | American Samoa |
| AT | Austria |
| AU | Australia |
| AW | Aruba |
| AX | Åland Islands |
| AZ | Azerbaijan |
| BA | Bosnia and Herzegovina |
| BB | Barbados |
| BD | Bangladesh |
| BE | Belgium |
| BF | Burkina Faso |
| BG | Bulgaria |
| BH | Bahrain |
| BI | Burundi |
| BJ | Benin |
| BL | Saint Barthélemy |
| BM | Bermuda |
| BN | Brunei Darussalam |
| BO | Bolivia (Plurinational State of) |
| BQ | Bonaire, Sint Eustatius and Saba |
| BR | Brazil |
| BS | Bahamas |
| BT | Bhutan |
| BV | Bouvet Island |
| BW | Botswana |

Used Codes

| | |
|----|-------------------------------|
| BY | Belarus |
| BZ | Belize |
| CA | Canada |
| CC | Cocos (Keeling) Islands |
| CD | Congo, Democratic Republic of |
| CF | Central African Republic |
| CG | Congo |
| CH | Switzerland |
| CI | Cote D'Ivoire |
| CK | Cook Islands |
| CL | Chile |
| CM | Cameroon |
| CN | China |
| CO | Colombia |
| CR | Costa Rica |
| CU | Cuba |
| CV | Cape Verde |
| CW | Curaçao |
| CX | Christmas Island |
| CY | Cyprus |
| CZ | Czechia |
| DE | Germany |
| DJ | Djibouti |
| DK | Denmark |
| DM | Dominica |
| DO | Dominican Republic |
| DZ | Algeria |
| EC | Ecuador |
| EE | Estonia |
| EG | Egypt |
| EH | Western Sahara |
| ER | Eritrea |
| ES | Spain |

Used Codes

| | |
|----|--|
| ET | Ethiopia |
| FI | Finland |
| FJ | Fiji |
| FK | Falkland Islands (Malvinas) |
| FM | Micronesia (Federated States of) |
| FO | Faroe Islands |
| FR | France |
| GA | Gabon |
| GB | United Kingdom of Great Britain and Northern Ireland |
| GD | Grenada |
| GE | Georgia |
| GF | French Guiana |
| GG | Guernsey |
| GH | Ghana |
| GI | Gibraltar |
| GL | Greenland |
| GM | Gambia |
| GN | Guinea |
| GP | Guadeloupe |
| GQ | Equatorial Guinea |
| GR | Greece |
| GS | South Georgia and the South Sandwich Islands |
| GT | Guatemala |
| GU | Guam |
| GW | Guinea-Bissau |
| GY | Guyana |
| HK | Hong Kong |
| HM | Heard Island and McDonald Islands |
| HN | Honduras |
| HR | Croatia |
| HT | Haiti |
| HU | Hungary |
| ID | Indonesia |

Used Codes

| | |
|----|---|
| IE | Ireland |
| IL | Israel |
| IM | Isle Of Man |
| IN | India |
| IO | British Indian Ocean Territory |
| IQ | Iraq |
| IR | Iran (Islamic Republic of) |
| IS | Iceland |
| IT | Italy |
| JE | Jersey |
| JM | Jamaica |
| JO | Jordan |
| JP | Japan |
| KE | Kenya |
| KG | Kyrgyzstan |
| KH | Cambodia |
| KI | Kiribati |
| KM | Comoros |
| KN | Saint Kitts and Nevis |
| KP | Korea (Democratic People'S Republic of) |
| KR | Korea, Republic of |
| KW | Kuwait |
| KY | Cayman Islands |
| KZ | Kazakhstan |
| LA | Lao People'S Democratic Republic |
| LB | Lebanon |
| LC | Saint Lucia |
| LI | Liechtenstein |
| LK | Sri Lanka |
| LR | Liberia |
| LS | Lesotho |
| LT | Lithuania |
| LU | Luxembourg |

Used Codes

| | |
|----|--|
| LV | Latvia |
| LY | Libya |
| MA | Morocco |
| MC | Monaco |
| MD | Moldova, Republic of |
| ME | Montenegro |
| MF | Saint Martin (French Part) |
| MG | Madagascar |
| MH | Marshall Islands |
| MK | Macedonia, the Former Yugoslav Republic of |
| ML | Mali |
| MM | Myanmar |
| MN | Mongolia |
| MO | Macao |
| MP | Northern Mariana Islands |
| MQ | Martinique |
| MR | Mauritania |
| MS | Montserrat |
| MT | Malta |
| MU | Mauritius |
| MV | Maldives |
| MW | Malawi |
| MX | Mexico |
| MY | Malaysia |
| MZ | Mozambique |
| NA | Namibia |
| NC | New Caledonia |
| NE | Niger |
| NF | Norfolk Island |
| NG | Nigeria |
| NI | Nicaragua |
| NL | Netherlands |
| NO | Norway |

Used Codes

| | |
|----|--|
| NP | Nepal |
| NR | Nauru |
| NU | Niue |
| NZ | New Zealand |
| OM | Oman |
| PA | Panama |
| PE | Peru |
| PF | French Polynesia |
| PG | Papua New Guinea |
| PH | Philippines |
| PK | Pakistan |
| PL | Poland |
| PM | Saint Pierre and Miquelon |
| PN | Pitcairn |
| PR | Puerto Rico |
| PS | Palestine, State of |
| PT | Portugal |
| PW | Palau |
| PY | Paraguay |
| QA | Qatar |
| RE | Reunion |
| RO | Romania |
| RS | Serbia |
| RU | Russian Federation |
| RW | Rwanda |
| SA | Saudi Arabia |
| SB | Solomon Islands |
| SC | Seychelles |
| SD | Sudan |
| SE | Sweden |
| SG | Singapore |
| SH | Saint Helena, Ascension and Tristan da Cunha |
| SI | Slovenia |

Used Codes

| | |
|----|--------------------------------------|
| SJ | Svalbard and Jan Mayen |
| SK | Slovakia |
| SL | Sierra Leone |
| SM | San Marino |
| SN | Senegal |
| SO | Somalia |
| SR | Suriname |
| SS | South Sudan |
| ST | Sao Tome and Principe |
| SV | El Salvador |
| SX | Sint Maarten (Dutch part) |
| SY | Syrian Arab Republic |
| SZ | Swaziland |
| TC | Turks and Caicos Islands |
| TD | Chad |
| TF | French Southern Territories |
| TG | Togo |
| TH | Thailand |
| TJ | Tajikistan |
| TK | Tokelau |
| TL | Timor-Leste |
| TM | Turkmenistan |
| TN | Tunisia |
| TO | Tonga |
| TR | Turkey |
| TT | Trinidad and Tobago |
| TV | Tuvalu |
| TW | Taiwan, Province of China |
| TZ | Tanzania, United Republic of |
| UA | Ukraine |
| UG | Uganda |
| UM | United States Minor Outlying Islands |
| US | United States of America |

Used Codes

| | |
|----|------------------------------------|
| UY | Uruguay |
| UZ | Uzbekistan |
| VA | Holy See |
| VC | Saint Vincent and the Grenadines |
| VE | Venezuela (Bolivarian Republic of) |
| VG | Virgin Islands, British |
| VI | Virgin Islands, U.S. |
| VN | Viet Nam |
| VU | Vanuatu |
| WF | Wallis and Futuna |
| WS | Samoa |
| YE | Yemen |
| YT | Mayotte |
| ZA | South Africa |
| ZM | Zambia |
| ZW | Zimbabwe |

3239

Country of origin name code
Code specifying the name of the country of origin.

Notes:

| 1. Use ISO 3166-1 two alpha country code.

| | |
|----|----------------------|
| AD | Andorra |
| AE | United Arab Emirates |
| AF | Afghanistan |
| AG | Antigua and Barbuda |
| AI | Anguilla |
| AL | Albania |
| AM | Armenia |
| AO | Angola |
| AQ | Antarctica |
| AR | Argentina |
| AS | American Samoa |
| AT | Austria |
| AU | Australia |

Used Codes

| | |
|----|----------------------------------|
| AW | Aruba |
| AX | Åland Islands |
| AZ | Azerbaijan |
| BA | Bosnia and Herzegovina |
| BB | Barbados |
| BD | Bangladesh |
| BE | Belgium |
| BF | Burkina Faso |
| BG | Bulgaria |
| BH | Bahrain |
| BI | Burundi |
| BJ | Benin |
| BL | Saint Barthélemy |
| BM | Bermuda |
| BN | Brunei Darussalam |
| BO | Bolivia (Plurinational State of) |
| BQ | Bonaire, Sint Eustatius and Saba |
| BR | Brazil |
| BS | Bahamas |
| BT | Bhutan |
| BV | Bouvet Island |
| BW | Botswana |
| BY | Belarus |
| BZ | Belize |
| CA | Canada |
| CC | Cocos (Keeling) Islands |
| CD | Congo, Democratic Republic of |
| CF | Central African Republic |
| CG | Congo |
| CH | Switzerland |
| CI | Cote D'Ivoire |
| CK | Cook Islands |
| CL | Chile |

Used Codes

| | |
|----|--|
| CM | Cameroon |
| CN | China |
| CO | Colombia |
| CR | Costa Rica |
| CU | Cuba |
| CV | Cape Verde |
| CW | Curaçao |
| CX | Christmas Island |
| CY | Cyprus |
| CZ | Czechia |
| DE | Germany |
| DJ | Djibouti |
| DK | Denmark |
| DM | Dominica |
| DO | Dominican Republic |
| DZ | Algeria |
| EC | Ecuador |
| EE | Estonia |
| EG | Egypt |
| EH | Western Sahara |
| ER | Eritrea |
| ES | Spain |
| ET | Ethiopia |
| FI | Finland |
| FJ | Fiji |
| FK | Falkland Islands (Malvinas) |
| FM | Micronesia (Federated States of) |
| FO | Faroe Islands |
| FR | France |
| GA | Gabon |
| GB | United Kingdom of Great Britain and Northern Ireland |
| GD | Grenada |
| GE | Georgia |

Used Codes

| | |
|----|--|
| GF | French Guiana |
| GG | Guernsey |
| GH | Ghana |
| GI | Gibraltar |
| GL | Greenland |
| GM | Gambia |
| GN | Guinea |
| GP | Guadeloupe |
| GQ | Equatorial Guinea |
| GR | Greece |
| GS | South Georgia and the South Sandwich Islands |
| GT | Guatemala |
| GU | Guam |
| GW | Guinea-Bissau |
| GY | Guyana |
| HK | Hong Kong |
| HM | Heard Island and McDonald Islands |
| HN | Honduras |
| HR | Croatia |
| HT | Haiti |
| HU | Hungary |
| ID | Indonesia |
| IE | Ireland |
| IL | Israel |
| IM | Isle Of Man |
| IN | India |
| IO | British Indian Ocean Territory |
| IQ | Iraq |
| IR | Iran (Islamic Republic of) |
| IS | Iceland |
| IT | Italy |
| JE | Jersey |
| JM | Jamaica |

Used Codes

| | |
|----|--|
| JO | Jordan |
| JP | Japan |
| KE | Kenya |
| KG | Kyrgyzstan |
| KH | Cambodia |
| KI | Kiribati |
| KM | Comoros |
| KN | Saint Kitts and Nevis |
| KP | Korea (Democratic People'S Republic of) |
| KR | Korea, Republic of |
| KW | Kuwait |
| KY | Cayman Islands |
| KZ | Kazakhstan |
| LA | Lao People'S Democratic Republic |
| LB | Lebanon |
| LC | Saint Lucia |
| LI | Liechtenstein |
| LK | Sri Lanka |
| LR | Liberia |
| LS | Lesotho |
| LT | Lithuania |
| LU | Luxembourg |
| LV | Latvia |
| LY | Libya |
| MA | Morocco |
| MC | Monaco |
| MD | Moldova, Republic of |
| ME | Montenegro |
| MF | Saint Martin (French Part) |
| MG | Madagascar |
| MH | Marshall Islands |
| MK | Macedonia, the Former Yugoslav Republic of |
| ML | Mali |

Used Codes

| | |
|----|--------------------------|
| MM | Myanmar |
| MN | Mongolia |
| MO | Macao |
| MP | Northern Mariana Islands |
| MQ | Martinique |
| MR | Mauritania |
| MS | Montserrat |
| MT | Malta |
| MU | Mauritius |
| MV | Maldives |
| MW | Malawi |
| MX | Mexico |
| MY | Malaysia |
| MZ | Mozambique |
| NA | Namibia |
| NC | New Caledonia |
| NE | Niger |
| NF | Norfolk Island |
| NG | Nigeria |
| NI | Nicaragua |
| NL | Netherlands |
| NO | Norway |
| NP | Nepal |
| NR | Nauru |
| NU | Niue |
| NZ | New Zealand |
| OM | Oman |
| PA | Panama |
| PE | Peru |
| PF | French Polynesia |
| PG | Papua New Guinea |
| PH | Philippines |
| PK | Pakistan |

Used Codes

| | |
|----|--|
| PL | Poland |
| PM | Saint Pierre and Miquelon |
| PN | Pitcairn |
| PR | Puerto Rico |
| PS | Palestine, State of |
| PT | Portugal |
| PW | Palau |
| PY | Paraguay |
| QA | Qatar |
| RE | Reunion |
| RO | Romania |
| RS | Serbia |
| RU | Russian Federation |
| RW | Rwanda |
| SA | Saudi Arabia |
| SB | Solomon Islands |
| SC | Seychelles |
| SD | Sudan |
| SE | Sweden |
| SG | Singapore |
| SH | Saint Helena, Ascension and Tristan da Cunha |
| SI | Slovenia |
| SJ | Svalbard and Jan Mayen |
| SK | Slovakia |
| SL | Sierra Leone |
| SM | San Marino |
| SN | Senegal |
| SO | Somalia |
| SR | Suriname |
| SS | South Sudan |
| ST | Sao Tome and Principe |
| SV | El Salvador |
| SX | Sint Maarten (Dutch part) |

Used Codes

| | |
|----|--------------------------------------|
| SY | Syrian Arab Republic |
| SZ | Swaziland |
| TC | Turks and Caicos Islands |
| TD | Chad |
| TF | French Southern Territories |
| TG | Togo |
| TH | Thailand |
| TJ | Tajikistan |
| TK | Tokelau |
| TL | Timor-Leste |
| TM | Turkmenistan |
| TN | Tunisia |
| TO | Tonga |
| TR | Turkey |
| TT | Trinidad and Tobago |
| TV | Tuvalu |
| TW | Taiwan, Province of China |
| TZ | Tanzania, United Republic of |
| UA | Ukraine |
| UG | Uganda |
| UM | United States Minor Outlying Islands |
| US | United States of America |
| UY | Uruguay |
| UZ | Uzbekistan |
| VA | Holy See |
| VC | Saint Vincent and the Grenadines |
| VE | Venezuela (Bolivarian Republic of) |
| VG | Virgin Islands, British |
| VI | Virgin Islands, U.S. |
| VN | Viet Nam |
| VU | Vanuatu |
| WF | Wallis and Futuna |
| WS | Samoa |

Used Codes

| | |
|----|--------------|
| YE | Yemen |
| YT | Mayotte |
| ZA | South Africa |
| ZM | Zambia |
| ZW | Zimbabwe |

3453

Language name code
Code specifying the language name.

Notes:
1. Use ISO 639-1988.

| | |
|----|-------------|
| AA | Afar |
| aa | Afar |
| AB | Abkhazian |
| ab | Abkhazian |
| AE | Avestan |
| ae | Avestan |
| AF | Afrikaans |
| af | Afrikaans |
| AK | Akan |
| ak | Akan |
| AM | Amharic |
| am | Amharic |
| AN | Aragonese |
| an | Aragonese |
| AR | Arabic |
| ar | Arabic |
| AS | Assamese |
| as | Assamese |
| AV | Avaric |
| av | Avaric |
| AY | Aymara |
| ay | Aymara |
| AZ | Azerbaijani |
| az | Azerbaijani |

Used Codes

| | |
|----|--|
| BA | Bashkir |
| ba | Bashkir |
| BE | Belarusian |
| be | Belarusian |
| BG | Bulgarian |
| bg | Bulgarian |
| BH | Bihari |
| bh | Bihari |
| BI | Bislama |
| bi | Bislama |
| BM | Bambara |
| bm | Bambara |
| BN | Bengali |
| bn | Bengali |
| BO | Tibetan |
| bo | Tibetan |
| BR | Breton |
| br | Breton |
| BS | Bosnian |
| bs | Bosnian |
| CA | Catalan; Valencian |
| ca | Catalan; Valencian |
| CE | Chechen |
| ce | Chechen |
| CH | Chamorro |
| ch | Chamorro |
| CO | Corsican |
| co | Corsican |
| CR | Cree |
| cr | Cree |
| CS | Czech |
| cs | Czech |
| CU | Church Slavic; Old Slavonic; Church Slavonic; Old Bulgarian; Old Church Slavonic |

Used Codes

| | |
|----|--|
| cu | Church Slavic; Old Slavonic; Church Slavonic; Old Bulgarian; Old Church Slavonic |
| CV | Chuvash |
| cv | Chuvash |
| CY | Welsh |
| cy | Welsh |
| DA | Danish |
| da | Danish |
| DE | German |
| de | German |
| DV | Divehi; Dhivehi; Maldivian |
| dv | Divehi; Dhivehi; Maldivian |
| DZ | Dzongkha |
| dz | Dzongkha |
| EE | Ewe |
| ee | Ewe |
| EL | Greek; Modern (1453-) |
| el | Greek; Modern (1453-) |
| EN | English |
| en | English |
| EO | Esperanto |
| eo | Esperanto |
| ES | Spanish; Castilian |
| es | Spanish; Castilian |
| ET | Estonian |
| et | Estonian |
| EU | Basque |
| eu | Basque |
| FA | Persian |
| fa | Persian |
| FF | Fulah |
| ff | Fulah |
| FI | Finnish |
| fi | Finnish |

Used Codes

| | |
|----|-------------------------|
| FJ | Fijian |
| fj | Fijian |
| FO | Faroese |
| fo | Faroese |
| FR | French |
| fr | French |
| FY | Western Frisian |
| fy | Western Frisian |
| GA | Irish |
| ga | Irish |
| GD | Gaelic; Scottish Gaelic |
| gd | Gaelic; Scottish Gaelic |
| GL | Galician |
| gl | Galician |
| GN | Guarani |
| gn | Guarani |
| GU | Gujarati |
| gu | Gujarati |
| GV | Manx |
| gv | Manx |
| HA | Hausa |
| ha | Hausa |
| HE | Hebrew |
| he | Hebrew |
| HI | Hindi |
| hi | Hindi |
| HO | Hiri Motu |
| ho | Hiri Motu |
| HR | Croatian |
| hr | Croatian |
| HT | Haitian; Haitian Creole |
| ht | Haitian; Haitian Creole |
| HU | Hungarian |

Used Codes

| | |
|----|--|
| hu | Hungarian |
| HY | Armenian |
| hy | Armenian |
| HZ | Herero |
| hz | Herero |
| IA | Interlingua (International Auxiliary Language Association) |
| ia | Interlingua (International Auxiliary Language Association) |
| ID | Indonesian |
| id | Indonesian |
| IE | Interlingue |
| ie | Interlingue |
| IG | Igbo |
| ig | Igbo |
| II | Sichuan Yi |
| ii | Sichuan Yi |
| IK | Inupiaq |
| ik | Inupiaq |
| IO | Ido |
| io | Ido |
| IS | Icelandic |
| is | Icelandic |
| IT | Italian |
| it | Italian |
| IU | Inuktiut |
| iu | Inuktiut |
| JA | Japanese |
| ja | Japanese |
| JV | Javanese |
| jv | Javanese |
| KA | Georgian |
| ka | Georgian |
| KG | Kongo |
| kg | Kongo |

Used Codes

| | |
|----|----------------------------------|
| KI | Kikuyu; Gikuyu |
| ki | Kikuyu; Gikuyu |
| KJ | Kuanyama; Kwanyama |
| kj | Kuanyama; Kwanyama |
| KK | Kazakh |
| kk | Kazakh |
| KL | Kalaallisut; Greenlandic |
| kl | Kalaallisut; Greenlandic |
| KM | Central Khmer |
| km | Central Khmer |
| KN | Kannada |
| kn | Kannada |
| KO | Korean |
| ko | Korean |
| KR | Kanuri |
| kr | Kanuri |
| KS | Kashmiri |
| ks | Kashmiri |
| KU | Kurdish |
| ku | Kurdish |
| KV | Komi |
| kv | Komi |
| KW | Cornish |
| kw | Cornish |
| KY | Kirghiz; Kyrgyz |
| ky | Kirghiz; Kyrgyz |
| LA | Latin |
| la | Latin |
| LB | Luxembourgish; Letzeburgesch |
| lb | Luxembourgish; Letzeburgesch |
| LG | Ganda |
| lg | Ganda |
| LI | Limburgan; Limburger; Limburgish |

Used Codes

| | |
|----|----------------------------------|
| li | Limburgan; Limburger; Limburgish |
| LN | Lingala |
| In | Lingala |
| LO | Lao |
| lo | Lao |
| LT | Lithuanian |
| lt | Lithuanian |
| LU | Luba-Katanga |
| lu | Luba-Katanga |
| LV | Latvian |
| lv | Latvian |
| MG | Malagasy |
| mg | Malagasy |
| MH | Marshallese |
| mh | Marshallese |
| MI | Maori |
| mi | Maori |
| MK | Macedonian |
| mk | Macedonian |
| ML | Malayalam |
| ml | Malayalam |
| MN | Mongolian |
| mn | Mongolian |
| MO | Moldavian; Moldovan |
| mo | Moldavian; Moldovan |
| MR | Marathi |
| mr | Marathi |
| MS | Malay |
| ms | Malay |
| MT | Maltese |
| mt | Maltese |
| MY | Burmese |
| my | Burmese |

Used Codes

| | |
|----|---------------------------------------|
| NA | Nauru |
| na | Nauru |
| NB | Bokmal Norwegian; Norwegian Bokmal |
| nb | Bokmal Norwegian; Norwegian Bokmal |
| ND | Ndebele; North; North Ndebele |
| nd | Ndebele; North; North Ndebele |
| NE | Nepali |
| ne | Nepali |
| NG | Ndonga |
| ng | Ndonga |
| NL | Dutch; Flemish |
| nl | Dutch; Flemish |
| NN | Norwegian Nynorsk; Nynorsk, Norwegian |
| nn | Norwegian Nynorsk; Nynorsk, Norwegian |
| NO | Norwegian |
| no | Norwegian |
| NR | Ndebele; South; South Ndebele |
| nr | Ndebele; South; South Ndebele |
| NV | Navajo; Navaho |
| nv | Navajo; Navaho |
| NY | Chichewa; Chewa; Nyanja |
| ny | Chichewa; Chewa; Nyanja |
| OC | Occitan (post 1500); Provençal |
| oc | Occitan (post 1500); Provençal |
| OJ | Ojibwa |
| oj | Ojibwa |
| OM | Oromo |
| om | Oromo |
| OR | Oriya |
| or | Oriya |
| OS | Ossetian; Ossetic |
| os | Ossetian; Ossetic |
| PA | Panjabi; Punjabi |

Used Codes

| | |
|----|--------------------|
| pa | Panjabi; Punjabi |
| PI | Pali |
| pi | Pali |
| PL | Polish |
| pl | Polish |
| PS | Pushto; Pashto |
| ps | Pushto; Pashto |
| PT | Portuguese |
| pt | Portuguese |
| QU | Quechua |
| qu | Quechua |
| RM | Romansh |
| rm | Romansh |
| RN | Rundi |
| rn | Rundi |
| RO | Romanian |
| ro | Romanian |
| RU | Russian |
| ru | Russian |
| RW | Kinyarwanda |
| rw | Kinyarwanda |
| SA | Sanskrit |
| sa | Sanskrit |
| SC | Sardinian |
| sc | Sardinian |
| SD | Sindhi |
| sd | Sindhi |
| SE | Northern Sami |
| se | Northern Sami |
| SG | Sango |
| sg | Sango |
| SI | Sinhala; Sinhalese |
| si | Sinhala; Sinhalese |

Used Codes

| | |
|----|-----------------|
| SK | Slovak |
| sk | Slovak |
| SL | Slovenian |
| sl | Slovenian |
| SM | Samoan |
| sm | Samoan |
| SN | Shona |
| sn | Shona |
| SO | Somali |
| so | Somali |
| SQ | Albanian |
| sq | Albanian |
| SR | Serbian |
| sr | Serbian |
| SS | Swati |
| ss | Swati |
| ST | Sotho, Southern |
| st | Sotho, Southern |
| SU | Sundanese |
| su | Sundanese |
| SV | Swedish |
| sv | Swedish |
| SW | Swahili |
| sw | Swahili |
| TA | Tamil |
| ta | Tamil |
| TE | Telugu |
| te | Telugu |
| TG | Tajik |
| tg | Tajik |
| TH | Thai |
| th | Thai |
| TI | Tigrinya |

Used Codes

| | |
|----|-----------------------|
| ti | Tigrinya |
| TK | Turkmen |
| tk | Turkmen |
| TL | Tagalog |
| tl | Tagalog |
| TN | Tswana |
| tn | Tswana |
| TO | Tonga (Tonga Islands) |
| to | Tonga (Tonga Islands) |
| TR | Turkish |
| tr | Turkish |
| TS | Tsonga |
| ts | Tsonga |
| TT | Tatar |
| tt | Tatar |
| TW | Twi |
| tw | Twi |
| TY | Tahitian |
| ty | Tahitian |
| UG | Uighur; Uyghur |
| ug | Uighur; Uyghur |
| UK | Ukrainian |
| uk | Ukrainian |
| UR | Urdu |
| ur | Urdu |
| UZ | Uzbek |
| uz | Uzbek |
| VE | Venda |
| ve | Venda |
| VI | Vietnamese |
| vi | Vietnamese |
| VO | Volapük |
| vo | Volapük |

Used Codes

| | |
|-------------|--|
| WA | Walloon |
| wa | Walloon |
| WO | Wolof |
| wo | Wolof |
| XH | Xhosa |
| xh | Xhosa |
| YI | Yiddish |
| yi | Yiddish |
| YO | Yoruba |
| yo | Yoruba |
| ZA | Zhuang; Chuang |
| za | Zhuang; Chuang |
| ZH | Chinese |
| zh | Chinese |
| ZU | Zulu |
| zu | Zulu |
| 4183 | Special condition code Code specifying a special condition. |
| 199 | Receipt advice, fully detailed Includes qualitative and/or quantitative details regarding everything received (all line items) whether or not there were exceptions between what was received and what was advised as being sent. |
| 200 | Receipt advice, only exceptions Includes only qualitative and/or quantitative exceptions between what was received and what was advised as being sent. |
| 4221 | Discrepancy nature identification code Code specifying the identification used to define the nature of a discrepancy. |
| AA | Item discontinued by wholesaler The wholesaler no longer offers the ordered product. |
| AB | Item no longer produced The item ordered has been discontinued and is no longer in production. |
| AC | Over-shipped Code indicating that there was an excess quantity of goods in a shipment relative to the order. |

Used Codes

| | |
|----|---|
| AD | Item out of stock at manufacturer The item is out of stock at manufacturer. |
| AE | Delivered but not advised Shipment or goods have been delivered without any advance notification of delivery. |
| AF | Goods delivered damaged Part or all of the goods in a shipment were delivered damaged. |
| AG | Delivered too late Delivered but at a later date than the delivery date under the agreed conditions or stipulated in the order. |
| AH | Next higher packaging quantity The ordered item has been, or is to be, packed to the next higher packaging quantity. GS1 Description: An indication from the buyer which allows the supplier to pack, if required, the ordered item to its next higher complete level of packaging. |
| AS | Available now - scheduled to ship (date) The material is available for shipment and is committed for shipment/delivery at a future date. GS1 Description: Back ordered product (product which has been ordered, was not delivered as scheduled but which the buyer still expects to receive at a later date) is now available and is scheduled for shipment on a specified date. |
| BK | Back ordered from previous order An order is being held as no material is available to fulfil the requirement. EDIFACT |
| BP | Shipment partial - back order to follow A portion of the previous order is being held as open, as enough material was not available to fulfil the requirement. GS1 Description: The shipment is incomplete, the missing quantities are to follow. |
| CC | Shipment complete The quantity dispatched fulfilled the order quantity. GS1 Description: The shipment is complete. |
| CE | Shipment includes extra items to meet price break The quantity dispatched exceeds the order quantity to accommodate a quantity of scale price model opportunity. GS1 Description: An additional quantity to the quantity ordered has been added for special discounts. |
| CK | Cancelled from previous order Amount deleted from the earlier schedule. EDIFACT |

Used Codes

| | |
|----|--|
| CM | <p>Shipment complete with additional quantity The quantity dispatched exceeds the ordered quantity. GS1 Description: The shipment is complete and includes an additional quantity.</p> |
| CN | <p>Next carrier, PVE - (date) Self explanatory. GS1 Description: Item will be shipped on the next available or scheduled carrier.</p> |
| CP | <p>Shipment partial - considered complete, no backorder The quantity shipped is less than the amount authorized and there is no plan to ship the remaining amount. GS1 Description: Shipment does not fulfil the complete order but should be considered complete. Unshipped items are not considered to be on backorder.</p> |
| CS | <p>Shipment complete with substitution The quantity and product shipped, though not exactly matching the original order, is compliant with and fulfils the expectation. GS1 Description: Shipment considered complete. One or more items in the order have been substituted by other items.</p> |
| IC | <p>Item cancelled The material previously ordered is no longer needed. GS1 Description: Item has been cancelled from the order by the buyer or supplier.</p> |
| IS | <p>Item represents substitution from original order The quantity and product shipped is compliant with the expectation. GS1 Description: Item substitutes another item originally ordered.</p> |
| OS | <p>Item out of stock because of strike of force majeure Item is not available due to strike or an unforeseeable event.</p> |
| OW | <p>Item out of stock at wholesaler Item is not available at the distribution point.</p> |
| PO | <p>Purchase order inquiry - unshipped items only The response includes information concerning all of the articles that were not dispatched and included in the prior inquiry that had been requested by the contact initiator. EDIFACT</p> |
| PP | <p>Purchase order inquiry - specific items The response includes information concerning a unique sub-set of the total list of articles that the contract initiator had requested information on. EDIFACT</p> |

Used Codes

| | |
|-------------|---|
| PS | In process - scheduled to ship (date) This amount is being manufactured in anticipation for a possible authorization for shipment. EDIFACT |
| RA | Item rationed Product is restricted because of limited availability. GS1 Description: Item has been rationed, ordered quantity exceeds rationed quantity. |
| TW | Item temporarily discontinued by wholesaler Product is, for the time being, not available from the distribution point. GS1 Description: The item has been temporarily removed from the product range of the wholesaler. |
| US | Pack to closest complete logistic packaging quantity Pack to the closest complete logistic packaging quantity. GS1 Description: An indication from the buyer which allows the supplier to pack, if required, the ordered item to its closest complete level of packaging. |
| UT | Pack to next lower complete logistic quantity Pack to the next lower complete logistic packaging quantity. GS1 Description: An indication from the buyer which allows the supplier to pack, if required, the ordered item to the next lowest complete logistics packaging. |
| 4233 | Marking instructions code Code specifying instructions for marking. |
| 1 | Do not mark supplier's company name Packaging should not be marked with supplier's company name. |
| 2 | Mark customer's company name Packaging should be marked with customer's company name. |
| 3 | Mark customer's references Packaging should be marked with customer's references. |
| 4 | Mark additionally customer's article description Packaging should also be marked with customer's article description. |
| 5 | Mark exclusively customer's article description Packaging should be marked with customer's article description only. |
| 6 | Mark packages dimensions Packaging should be marked with package's dimensions. |
| 7 | Mark net weight Packaging should be marked with net weight. |

Used Codes

| | |
|----|---|
| 8 | Mark gross weight Packaging should be marked with gross weight. |
| 9 | Mark tare weight Packaging should be marked with tare weight. |
| 10 | Mark batch number Packaging should be marked with batch number. |
| 11 | Mark article number customer Packaging should be marked with customer's article number. |
| 12 | Mark running number of packages Packaging should be marked with the running number of packages. |
| 13 | Mark date of production Packaging should be marked with the date of production. |
| 14 | Mark expiry date Packaging should be marked with the expiry date. |
| 15 | Mark supplier number Packaging should be marked with the supplier number. |
| 16 | Buyer's instructions Markings as specified by the buyer. |
| 17 | Supplier's instructions Markings as specified by the seller. GS1 Description: Markings as specified by the supplier. |
| 18 | Carrier's instructions Markings as specified by carrier. |
| 19 | Legal requirements Markings as specified by law. |
| 20 | Industry instructions Markings as specified by industry. |
| 30 | Mark serial shipping container code Requests the marking of the serial shipping container code to the transport container or packaging. |
| 32 | Mark date of packaging Packaging must be marked with the packaging date. GS1 Note: Replaces GS1 Temporary Code 41E. |
| 33 | Mark reference to source entity Packaging must be marked with the reference to source entity. The reference to source identifies that the trade item was derived from. |

Used Codes

| | |
|----|---|
| 34 | <p>Marked GS1 Global Individual Asset Identifier Indication that the GS1 Global Individual Asset Identifier has been marked on the package. GS1 Note: Replaces GS1 Temporary Code 42G.</p> |
| 35 | <p>Marked with a product serial number Indication that the product serial number has been marked on a package.</p> |
| 38 | <p>Marked price Indication that the price has been marked on a package. GS1 Note: Replaces GS1 Temporary Code 31E.</p> |
| 39 | <p>Marked with Serial Shipping Container Code (SSCC) Indication that the Serial Shipping Container Code has been marked on a package. GS1 Note: Replaces GS1 Temporary Code 33E.</p> |
| 40 | <p>Marked with first freezing date Indication that the first freezing date has been marked on the package. GS1 Note: Replaces GS1 Temporary Code 35E.</p> |
| 41 | <p>Marked with batch number Indication that the batch number has been marked on a package. GS1 Note: Replaces GS1 Temporary Code 36E.</p> |
| 42 | <p>Marked with production date Indication that the production date has been marked on a package. GS1 Note: Replaces GS1 Temporary Code 37E.</p> |
| 43 | <p>Marked with expiry date Indication that the expiry date has been marked on a package. GS1 Note: Replaces GS1 Temporary Code 38E.</p> |
| 44 | <p>Marked with best before date Indication that the best before date has been marked on a package. GS1 Note: Replaces GS1 Temporary Code 39E.</p> |
| 45 | <p>Marked net weight Indication that the net weight has been marked on a package. GS1 Note: Replaces GS1 Temporary Code 40E.</p> |
| 46 | <p>Marked with packaging date Indication that the packaging date has been marked on a package. GS1 Note: Replaces GS1 Temporary Code 41E.</p> |
| 47 | <p>Marked with GS1 Global Returnable Asset Identifier (GRAI) Indication that the GS1 Global Returnable Asset Identifier (GRAI) has been marked on the package. GS1 Note: Replaces GS1 Temporary Code 41G.</p> |
| 48 | <p>Marked with a greeting message Indication that the package has been marked with a greeting message. GS1 Note: Replaces GS1 Temporary Code X27.</p> |

Used Codes

| | |
|-----|--|
| 49 | Price per unit of measure marked on product The price per unit of measure is marked on trade item |
| 31E | Mark price (GS1 Temporary Code) Coded instruction that the price be marked on a package. GS1 Note: Code marked for deletion. Use value 38 instead. |
| 32E | Mark GS1 number (GS1 Temporary Code) Coded instruction that the GS1 number be marked on a package. |
| 33E | Marked with serial shipping container code (GS1 Temporary Code) Indication that the serial shipping container code has been marked on a package. GS1 Note: Code marked for deletion. Use value 39 instead. |
| 34E | Marked with GS1 number (GS1 Temporary Code) Indication that the GS1 number has been marked on a package. |
| 35E | Marked with first freezing date (GS1 Temporary Code) Indication that the first freezing date has been marked on the package. GS1 Note: Code marked for deletion. Use value 40 instead. |
| 36E | Marked with batch number (GS1 Temporary Code) Indication that the batch number has been marked on a package. GS1 Note: Code marked for deletion. Use value 41 instead. |
| 37E | Marked with production/manufacturing date (GS1 Temporary Code) Indication that the production/manufacturing date has been marked on a package. GS1 Note: Code marked for deletion. Use value 42 instead. |
| 38E | Marked with expiry date (GS1 Temporary Code) Indication that the expiry date has been marked on a package. GS1 Note: Code marked for deletion. Use value 43 instead. |
| 39E | Marked with best before date (GS1 Temporary Code) Indication that the best before date has been marked on a package. GS1 Note: Code marked for deletion. Use value 44 instead. |
| 40E | Marked with unit net weight (GS1 Temporary Code) Indication that the net unit weight has been marked on a package. GS1 Note: Code marked for deletion. Use value 45 instead. |
| 41E | Marked with packaging date (GS1 Temporary Code) Indication that the packaging date has been marked on a package. GS1 Note: Code marked for deletion. Use value 46 instead. |
| 41G | Marked with GS1 Global Returnable Asset Identifier (GS1 Temporary Code) Indication that the GS1 Global Returnable Asset Identifier has been marked on the package. GS1 Note: Code marked for deletion. Use value 47 instead. |
| IEN | Package Identity Number (GS1 Temporary Code) Number uniquely identifying a package. |

Used Codes

| | |
|-------------|---|
| X26 | Not marked with an GS1 code (GS1 Temporary Code) Indication that the package is not marked with an GS1 code. |
| X27 | Marked with a greeting message (GS1 Temporary Code) Package should be marked with greeting message GS1 Note: Code marked for deletion. Use value 48 instead. |
| X28 | GINC (GS1 Temporary Code) Global Identification Number for Consignment |
| X29 | GSIN (GS1 Temporary Code) Global Shipment Identification Number |
| X3 | Marked with use by date (GS1 Temporary Code) Indication that the use by date has been marked on a package. |
| 4295 | Change reason description code Code specifying the reason for a change. |
| AA | Member attribute change An attribute of a member of a group has changed. |
| AC | Member category change The member or benefits category has changed. |
| AJT | Adjustment (GS1 Temporary Code) Code indicating that an adjustment has taken place. |
| AQ | Alternate quantity and unit of measurement Change is due to an alternate quantity and unit of measurement. GS1 Description: Code indicating an alternate quantity and unit of measure than that was previously agreed. |
| AR | Article out of assortment for particular company Item normally part of a suppliers standard assortment but is unavailable for a specific buyer due to legal or commercial reasons. |
| ARP | Article to be published (GS1 Temporary Code) The article has to be published. |
| AS | Article out of assortment Article normally part of a standard assortment is unavailable. |
| AT | Item not ordered Code indicating the item or product was not ordered. |
| AU | No delivery due to outstanding payments Delivery of an item was stopped due to outstanding deliveries which have not yet been paid. |

Used Codes

| | |
|-----|---|
| AUE | Article code unknown (GS1 Temporary Code) Item identification code (GTIN article number) is unknown. GS1 Note: Code marked for deletion. Use value BJ instead. |
| AV | Out of inventory Item is out of inventory. |
| AY | Sale location different Sold in a different sales location. GS1 Description: The reason for a different price is a different sale location and a different type of sale location, for example, a duty paid shop or a duty free shop. |
| BA | Damaged Goods CA change resulting from damaged goods. EDIFACT |
| BB | Transport means technical failure Transport means had a technical failure, e.g. transport means could not be unloaded or did not comply with hygienic requirements. |
| BC | Equipment technical failure Equipment had a technical failure, e.g. equipment was damaged or wrong. |
| BE | Goods technical failure Goods had a technical failure, e.g. instability, overhang, transportation lock or damage. |
| BF | Spoilage of goods A change resulting from the spoilage of goods. |
| BG | Grade difference out of tolerance level The change is due to a variation in the grade of the product outside the tolerance level allowed in an agreement. |
| BH | Batch number difference The batch number printed on the product received is different to the batch number specified in the despatch advice message. |
| BI | Expiry date difference The expiry date printed on the product received is different from the expiry date specified in the despatch advice message. GS1 Note: Replaces GS1 Temporary Code X40. |
| BJ | Item identification code unknown The item identification code is unknown. GS1 Note: Replaces GS1 Temporary Code AUE. |
| BK | Barcode not readable Barcode is not readable by a barcode scanning device. GS1 Note: Replaces GS1 Temporary Code BN_OLD. |

Used Codes

| | |
|--------|---|
| BL | <p>Item represents substitution from original order Code indicating the item or product is a substitute of the item or product originally ordered. GS1 Note: Replaces GS1 Temporary Code IS.</p> |
| BM | <p>Minimum/maximum product durability date unacceptable Code indicating that the minimum durability date (e.g. best before date) and/or maximum durability date (e.g. expiry date) of a product are not acceptable. GS1 Note: Replaces GS1 Temporary Code PE.</p> |
| BN | <p>Temperature outside agreed range The temperature is or has been outside the agreed range. GS1 Note: Replaces GS1 Temporary Code X32.</p> |
| BN_OLD | <p>Bar code not readable (GS1 Temporary Code) Bar code is not readable for some reason (e.g. poor print quality) by a bar code scanning device. GS1 Note: Code marked for deletion. Use value BK instead.</p> |
| BO | <p>Delivered but not advised Shipment or goods have been delivered without any advance notification of delivery. GS1 Note: Replaces GS1 Temporary Code X33.</p> |
| BP | <p>Short shipped The quantity of goods received is smaller than advised. GS1 Note: Replaces GS1 Temporary Code X34.</p> |
| BR | <p>Item withdrawn The item has been withdrawn. GS1 Note: Replaces GS1 Temporary Code X35.</p> |
| BS | <p>SSCC difference The logistic unit is identified by another Serial Shipping Container Code (SSCC) than the one announced in the despatch advice. GS1 Note: Replaces GS1 Temporary Code X37.</p> |
| BT | <p>SSCC missing The logistic unit is missing its Serial Shipping Container code (SSCC). GS1 Note: Replaces GS1 Temporary Code X38.</p> |
| BU | <p>Best before date(s) difference The best before date(s) deviate(s) from those announced in the despatch advice. GS1 Note: Replaces GS1 Temporary Code X39.</p> |
| BV | <p>Weight difference More or less weight was received than announced in the despatch advice. GS1 Note: Replaces GS1 Temporary Code X41.</p> |
| BW | <p>Quantity difference More or less units were received than announced in the despatch advice.</p> |

Used Codes

| | |
|-----|---|
| BX | Delivered too late Delivered but at a later date than the delivery date under the agreed conditions or stipulated in the preceding message. GS1 Note: Replaces GS1 Temporary Code X43. |
| IS | Item represents substitution from original order (GS1 Temporary Code) Code indicating the item or product is a substitute of the item or product originally ordered. GS1 Note: Code marked for deletion. Use value BL instead. |
| PC | Pack difference Self-explanatory. GS1 Description: The packaging of the product has changed. |
| PE | Minimum/maximum product durability date unacceptable (GS1 Temporary Code) Code indicating that the minimum durability date (e.g. best before date) or maximum durability date (e.g. expiry date) of a product are not acceptable. GS1 Note: Code marked for deletion. Use value BM instead. |
| PS | Product/services ID change The product/services identification has changed. |
| QT | Quantity price break The quantity price break has changed. GS1 Description: Additional quantity shipped to meet special discount conditions. |
| UM | Unit of measure difference The change is due to a difference in the unit of measure. GS1 Description: The unit of measure for the product shipped is different to the unit of measure for the product ordered. |
| WQ | Over shipped A shipped quantity greater than the ordered or invoiced quantity. |
| WR | Temporarily unavailable Product is temporarily unavailable. |
| WT | Excluded from the promotion activity Product is not included in the promotion activity. |
| WU | Committed purchase quantity exceeded The committed purchase quantity has been exceeded. |
| WV | Committed purchase quantity not ordered The committed purchase quantity has not been ordered. |
| X29 | Government price charge (GS1 Temporary Code) Reason for price charge is due to government action. |

Used Codes

| | |
|-----|--|
| X32 | <p>Receipt temperature outside agreed range (GS1 Temporary Code) The temperature at which the goods are received is outside the agreed range. GS1 Note: Code marked for deletion. Use value BN instead.</p> |
| X33 | <p>Delivered but not advised (GS1 Temporary Code) Shipment or goods have been delivered without any advance notification of delivery. GS1 Note: Code marked for deletion. Use value BO instead.</p> |
| X34 | <p>Missing (GS1 Temporary Code) The quantity of goods received is smaller than advised. GS1 Note: Code marked for deletion. Use value BP instead.</p> |
| X35 | <p>Article withdrawn (GS1 Temporary Code) The article has been withdrawn GS1 Note: Code marked for deletion. Use value BR instead.</p> |
| X36 | <p>Best before date out of chronological order (GS1 Temporary Code) Goods have a best before date which is out of chronological order.</p> |
| X37 | <p>Wrong SSCC (GS1 Temporary Code) The logistic unit is identified by another SSCC than the one announced in the despatch advice. GS1 Note: Code marked for deletion. Use value BS instead.</p> |
| X38 | <p>SSCC missing (GS1 Temporary Code) The logistic unit is missing its SSCC. GS1 Note: Code marked for deletion. Use value BT instead.</p> |
| X39 | <p>Wrong best before date(s) (GS1 Temporary Code) The best before date(s) deviates from the one announced in the despatch advice. GS1 Note: Code marked for deletion. Use value BU instead.</p> |
| X40 | <p>Wrong expiry date(s) (GS1 Temporary Code) The expiry date(s) deviates from the one announced in the despatch advice. GS1 Note: Code marked for deletion. Use value BI instead.</p> |
| X41 | <p>Different weight (GS1 Temporary Code) More or less weight was received than expected with regard of what was announced in the despatch advice. GS1 Note: Code marked for deletion. Use value BV instead.</p> |
| X42 | <p>Over-shipped (GS1 Temporary Code) An excess quantity of goods was received in a shipment with regard of what was expected in the despatch advice. GS1 Note: Code marked for deletion. Use value WQ instead.</p> |
| X43 | <p>Delivered too late (GS1 Temporary Code) Delivered but at a later date than the delivery date under the agreed conditions or stipulated in the preceding message GS1 Note: Code marked for deletion. Use value BX instead.</p> |

Used Codes

| | |
|-------------|---|
| X44 | GS1 bar code label missing (GS1 Temporary Code) The GS1 bar code label is missing |
| 4347 | Product identifier code qualifier Code qualifying the product identifier. |
| 1 | Additional identification Information which specifies and qualifies product identifications. |
| 5 | Product identification The item number is for product identification. |
| 4441 | Free text value code Code specifying free form text. |
| 78E | Proof Of Delivery (GS1 Permanent Code) The mentioned URL refers to a Proof of Delivery document. This Code value can be used if DE 4451 of the FTX segment is ZXL. |
| 4451 | Text subject code qualifier Code qualifying the subject of the text. |
| 1E | Additional product information address (GS1 Temporary Code) Address at which additional information on the product can be found. GS1 Note: Code marked for deletion. Use value BAI instead. |
| 2E | VAT exemption (GS1 Temporary Code) VAT exemption reason in clear text. GS1 Note: Code marked for deletion. Use value BAQ instead. |
| 3E | Tracking URL (GS1 Temporary Code) The internet link (URL) to track the delivery of a specific package or consignment. |
| AAA | Goods description [7002] Plain language description of the nature of the goods sufficient to identify them at the level required for banking, Customs, statistical or transport purposes, avoiding unnecessary detail (Generic term). |
| AAB | Terms of payments [4276] Conditions of payment between the parties to a transaction (generic term). |
| AAC | Dangerous goods additional information Additional information concerning dangerous goods. |
| AAD | Dangerous goods, technical name Proper shipping name, supplemented as necessary with the correct technical name, by which a dangerous substance or article may be correctly identified or which is sufficiently informative to permit identification by reference to generally available literature. |

Used Codes

| | |
|-----|---|
| AAG | Party instructions Indicates that the segment contains instructions to be passed on to the identified party. |
| AAI | General information The text contains general information. |
| AAK | Price conditions Information on the price conditions that are expected or given. |
| AAM | Equipment re-usage restrictions Technical or commercial reasons why a piece of equipment may not be re-used after the current transport terminates. |
| AAN | Handling restriction Restrictions in handling depending on the technical characteristics of the piece of equipment or on the nature of the goods. |
| AAO | Error description (free text) Error described by a free text. |
| AAR | Terms of delivery (4053) Free text of the non Incoterms terms of delivery. For Incoterms, use: 4053. |
| AAW | Letter of credit information Information pertaining to the letter of credit. |
| AAZ | Additional export information The text contains additional export information. |
| ABN | Accounting information Self explanatory. GS1 Description: Free text information regarding account. |
| ABO | Discrepancy information Free text or coded information to indicate a specific discrepancy. |
| ABU | Deferred payment termed additional Additional terms concerning deferred payment. |
| ACB | Additional information The text contains additional information. |
| ACD | Reason Reason for a request or response. |
| ACE | Dispute A notice, usually from buyer to seller, that something was found wrong with goods delivered or the services rendered, or with the related invoice. |

Used Codes

| | |
|-----|---|
| ACF | Additional attribute information The text refers to information about an additional attribute not otherwise specified. |
| ACL | Quality Statement Code A statement on the quality of an object. |
| ADK | Promotion information The text contains information about a promotion. |
| ADL | Meter condition Description of the condition of a meter. |
| ADM | Meter reading information Information related to a particular reading of a meter. |
| ADS | Booked item information (SWIFT Code) Information pertaining to a booked item. GS1 Description: Information related to an item booked onto a financial account. |
| AEI | Instructions to the applicant Instructions given to the applicant. |
| AFF | Batch code structure A description of the structure of a batch code. |
| AFG | Product application A general description of the application of a product. |
| AGW | Location Description of a location. |
| AGZ | Marketing activities Information concerning marketing activities. |
| AIP | Question A free text question. |
| AIQ | Party information Free text information related to a party. |
| AIX | Warranty terms Text describing the terms of warranty which apply to a product or service. |
| ALL | All documents The note implies to all documents. |
| BAI | Additional product information address Address at which additional information on the product can be found. GS1 Note: Replaces GS1 Temporary Code 1E. |

Used Codes

| | |
|-----|---|
| BAJ | Information to be printed on despatch advice Specification of free text information which is to be printed on a despatch advice. GS1 Note: Replaces GS1 Temporary Code DSI. |
| BAK | Missing goods remarks Remarks concerning missing goods. GS1 Note: Replaces GS1 Temporary Code MIS. |
| BAL | Non-acceptance information Information related to the non-acceptance of an order, goods or a consignment. GS1 Note: Replaces GS1 Temporary Code NAI. |
| BAM | Returns information Information related to the return of items. GS1 Note: Replaces GS1 Temporary Code RTI. |
| BAN | Sub-line item Note contains information related to sub-line item data. GS1 Note: Replaces GS1 Temporary Code SID. |
| BAO | Test information Information of a test. GS1 Note: Replaces GS1 Temporary Code TIN. |
| BAP | External link The external link to a digital document (e.g.: URL) GS1 Note: Replaces GS1 Temporary Code ZXL. |
| BAQ | VAT exemption reason The reason for Value Added Tax exemption. GS1 Note: Replaces GS1 Temporary Code 2E. |
| BLR | Transport document remarks Remarks concerning the complete consignment to be printed on the bill of lading. |
| BLV | B2C marketing information, short description Consumer marketing information, short description. |
| BLW | B2B marketing information, long description Trading partner marketing information, long description. |
| BLX | B2C marketing information, long description Consumer marketing information, long description. |

Used Codes

| | |
|-----|--|
| BLY | <p>Product ingredients</p> <p>Information on the ingredient make up of the product.</p> <p>Information on the constituent ingredient make up of the product specified as one string.</p> <p>Example: FTX+ING+1+ +Tomato puree (54%), water, onions (9%), sunflower seed oil' FTX+ING+1+ +(cold pressed, untempered, unrefined) (10%), corn syrup (2%), soy protein (12%):++EN'</p> |
| CHG | <p>Change information</p> <p>Note contains change information.</p> |
| CIP | <p>Customs clearance instruction import</p> <p>Any coded or clear instruction agreed by customer and carrier regarding the import declaration of the goods.</p> |
| CLR | <p>Loading remarks</p> <p>Instructions concerning the loading of the container.</p> |
| CUS | <p>Customs declaration information</p> <p>Note contains customs declaration information.</p> |
| DAR | <p>Damage remarks</p> <p>Remarks concerning damage on the cargo.</p> |
| DEL | <p>Delivery information</p> <p>Information about delivery.</p> |
| DIN | <p>Delivery instructions</p> <p>Instructions regarding the delivery of the cargo.</p> |
| DSI | <p>Information to be printed on despatch advice (GS1 Temporary Code)</p> <p>Specification of free text information which is to be printed on a despatch advice.</p> <p>GS1 Note: Code marked for deletion. Use value BAJ instead.</p> |
| DUT | <p>Duty declaration</p> <p>The text contains a statement constituting a duty declaration.</p> |
| GEN | <p>Entire transaction set</p> <p>Note is general in nature, applies to entire transaction segment.</p> |
| HAN | <p>Handling instructions</p> <p>[4078] Instructions on how specified goods, packages or containers should be handled.</p> |
| HAZ | <p>Hazard information</p> <p>Information pertaining to a hazard.</p> |
| IIN | <p>Insurance instructions</p> <p>Instructions regarding the cargo insurance.</p> |

Used Codes

| | |
|-----|---|
| INS | Insurance information Specific note contains insurance information. |
| INV | Invoice instruction Note contains invoice instructions. |
| ITS | Testing instructions Instructions regarding the testing that is required to be carried out on the items in the transaction. |
| LIN | Line item Note contains line item information. |
| LOI | Loading instruction Instructions where specified packages or containers are to be loaded on a means of transport. |
| MIS | Missing goods remarks (GS1 Temporary Code) Remarks concerning missing goods. GS1 Note: Code marked for deletion. Use value BAK instead. |
| MKS | Additional marks/numbers information Additional information regarding the marks and numbers. |
| NAI | Non-acceptance information (GS1 Temporary Code) Information related to the non-acceptance of an order, goods or a consignment. GS1 Note: Code marked for deletion. Use value BAL instead. |
| ORI | Order instruction Free text contains order instructions. |
| OSI | Other service information General information created by the sender of general or specific value. |
| PAC | Packing/marking information Information regarding the packaging and/or marking of goods. |
| PAY | Payables information Note contains payables information. |
| PKG | Packaging information Note contains packaging information. GS1 Description: Note contains packaging instructions. |
| PMD | Payment detail/remittance information The free text contains payment details. |
| PMT | Payment information Note contains payments information. |
| PRD | Product information The text contains product information. |

Used Codes

| | |
|-----|--|
| PRF | Price calculation formula Additional information regarding the price formula used for calculating the item price. |
| PRI | Priority information Note contains priority information. |
| PUR | Purchasing information Note contains purchasing information. |
| QQD | Quality demands/requirements Specification of the quality/performance expectations or standards to which the items must conform. |
| QUT | Quotation instruction/information Note contains quotation information. |
| REG | Regulatory information The free text contains information for regulatory authority. |
| RET | Return to origin information Free text information on an IATA Air Waybill to indicate consignment returned because of non delivery. |
| REV | Receivables The text contains receivables information. |
| RQR | Requested routes/routing instructions [3074] Names of places via which the consignor requests a consignment to be routed. |
| RQT | Tariffs and route requested [4120] Stipulation of the tariffs to be applied showing, where applicable, special-agreement numbers or references; indication of routes by frontier points or by frontier stations and, when necessary, by transit stations between. |
| RTI | Returns information (GS1 Temporary Code) Information related to the return of goods. GS1 Note: Code marked for deletion. Use value BAM instead. |
| SAF | Safety information The text contains safety information. |
| SIC | Sender's instruction to carrier [4284] Instructions given and declarations made by the sender to the carrier concerning Customs, insurance, and other formalities. |
| SID | Sub line item (GS1 Temporary Code) Note contains information related to sub line item data. GS1 Note: Code marked for deletion. Use value BAN instead. |
| SIN | Special instructions Special instructions like licence no, high value, handle with care, glass. |

Used Codes

| | |
|-------------|---|
| SPH | Special handling Note contains special handling information. |
| SSR | Special service request Request for a special service concerning the transport of the goods. |
| SUR | Supplier remarks Remarks from or for a supplier of goods or services. |
| TIN | Test information (GS1 Temporary Code) Information related to a test which will be, or has been, carried out. GS1 Note: Code marked for deletion. Use value BAO instead. |
| TRA | Transportation information General information regarding the transport of the cargo. |
| TXD | Tax declaration The text contains a statement constituting a tax declaration. |
| WHI | Warehouse instruction/information Note contains warehouse information. |
| XYZ | No partial delivery (GS1 Temporary Code) The goods that are not delivered have to be re-ordered by the buyer. Supplier only delivers the goods they have in stock at that moment. One order leads to one delivery. |
| ZXL | External link (GS1 Temporary code) The external link to a digital document (e.g.: URL) GS1 Note 1: This Code value can be used if no EFI segment is available. If the type of the referenced document (e.g. proof-of-delivery.pdf) can be identified by a code value of DE 1001, this code value should be used to fill DE 4441. (e.g. 78E), DE 3055 = 9. GS1 Note 2: Code marked for deletion. Use value BAP instead. |
| ZYZ | Partial delivery allowed (GS1 Temporary Code) The supplier keeps delivering until the entire order is fulfilled. One order can lead to many deliveries. The buyer doesn't need to place a new order; they just waits for the other goods to be delivered. |
| ZZZ | Mutually defined Note contains information mutually defined by trading partners. |
| 4453 | Free text function code Code specifying the function of free text. |
| 1 | Text for subsequent use The occurrence of this text does not affect message processing. |
| 3 | Text for immediate use Text must be read before actioning message. |

Used Codes

| | |
|-------------|--|
| 5495 | Sub-line indicator code Code indicating a sub-line item. |
| 1 | Sub-line information Code indicating a sub-line item. |
| 6063 | Quantity type code qualifier Code qualifying the type of quantity. |
| 1 | Discrete quantity Individually separated and distinct quantity. |
| 3 | Cumulative quantity Quantity accumulated. |
| 11 | Split quantity Part of the whole quantity. |
| 12 | Despatch quantity Quantity despatched by the seller. |
| 17 | Quantity on hand The total quantity of a product on hand at a location. This includes as well units awaiting return to manufacturer, units unavailable due to inspection procedures and undamaged stock available for despatch, resale or use. GS1 Description: Quantity on hand including damaged and committed stock. |
| 18 | Previous quantity Quantity previously referenced. |
| 21 | Ordered quantity The quantity which has been ordered. |
| 23 | Active ingredient Quantity at 100% active agent content. |
| 26 | Promotion quantity A quantity associated with a promotional event. |
| 27 | On hold for shipment Article received which cannot be shipped in its present form. |
| 28 | Military sales quantity Quantity of goods or services sold to a military organization. |
| 29 | On premises sales Sale of product in restaurants or bars. |
| 30 | Off premises sales Sale of product directly to a store. |

Used Codes

| | |
|----|--|
| 40 | Normal delivery Quantity normally delivered by the seller. |
| 42 | Maximum supply quantity, supplier endorsed Maximum supply quantity endorsed by a supplier. |
| 46 | Delivered quantity Number of pieces actually received at the final destination. GS1 Description: Quantity actually delivered to the final destination. |
| 47 | Invoiced quantity The quantity as per invoice. |
| 48 | Received quantity The quantity which has been received. |
| 52 | Quantity per pack Quantity for each pack. GS1 Description: The quantity contained in the currently identified pack. |
| 53 | Minimum order quantity Minimum quantity of goods for an order. GS1 Description: The smallest number of units of a product which may be ordered. |
| 54 | Maximum order quantity Maximum quantity of goods for an order. GS1 Description: The largest number of units of a product which may be ordered. |
| 57 | In transit quantity A quantity that is en route. |
| 58 | Quantity withdrawn Quantity withdrawn from a location. |
| 59 | Number of consumer units in the traded unit Number of units for consumer sales in a unit for trading. GS1 Description: The number of consumer units (package size of a product agreed between trading partners as the unit crossing the retail point of sale) in a traded unit to be ordered, delivered and invoiced. |
| 60 | Current inventory quantity available for shipment Current inventory quantity available for shipment. |
| 61 | Return quantity Quantity of goods returned. |

Used Codes

| | |
|-----|---|
| 65 | Destroyed quantity Quantity of goods destroyed. GS1 Description: Quantity of a product which will be/has been destroyed because of damage or freshness loss. |
| 66 | Committed quantity Quantity a party is committed to. |
| 73 | Outstanding quantity Difference between quantity ordered and quantity received. |
| 74 | Latest cumulative quantity Cumulative quantity after complete delivery of all scheduled quantities of the product. |
| 79 | Previous cumulative quantity Cumulative quantity prior the actual order. |
| 81 | Extra unplanned delivery Non scheduled additional quantity. |
| 83 | Backorder quantity The quantity of goods that is on back-order. GS1 Description: Quantity of a product for backorder purposes. |
| 89 | Quality control held Quantity of goods held pending completion of a quality control assessment. |
| 92 | Final delivery quantity Quantity of final delivery to a respective order. |
| 96 | Quality control failed Quantity of goods which have failed quality control. |
| 97 | Minimum inventory Minimum stock quantity on which replenishment is based. |
| 98 | Maximum inventory Maximum stock quantity on which replenishment is based. |
| 99 | Estimated quantity Quantity estimated. GS1 Description: An estimation of stock quantity. |
| 100 | Chargeable weight The weight on which charges are based. |
| 101 | Chargeable gross weight The gross weight on which charges are based. |

Used Codes

| | |
|-----|---|
| 109 | Chargeable volume The volume on which charges are based. |
| 110 | Chargeable cubic measurements The cubic measurements on which charges are based. |
| 113 | Quantity to be delivered The quantity to be delivered. |
| 119 | Short shipped Indication that part of the consignment was not shipped. |
| 121 | Over shipped Indication that more goods have been shipped than contracted for delivery. GS1 Description: The overshipped quantity is the difference between the quantity shipped and the quantity contracted for delivery. |
| 124 | Damaged goods Quantity of goods which have deteriorated in transport such that they cannot be used for the purpose for which they were originally intended. |
| 128 | Quantity loaded Quantity of goods loaded onto a means of transport. |
| 129 | Units per unit price Number of units per unit price. |
| 130 | Allowance Quantity relevant for allowance. |
| 131 | Delivery quantity Quantity required by buyer to be delivered. |
| 135 | Period quantity, planned Quantity planned for this period. |
| 145 | Actual stock The stock on hand, undamaged, and available for despatch, sale or use. |
| 146 | Model or target stock The stock quantity required or planned to have on hand, undamaged and available for use. |
| 152 | Consignment stock Quantity of goods with an external customer which is still the property of the supplier. |
| 153 | Statistical sales quantity Quantity of goods sold in a specified period. |
| 156 | Inventory movement quantity To specify the quantity of an inventory movement. |

Used Codes

| | |
|-----|--|
| 157 | Opening stock balance quantity To specify the quantity of an opening stock balance. |
| 158 | Closing stock balance quantity To specify the quantity of a closing stock balance. |
| 164 | Delivery batch Quantity of the referenced item which constitutes a standard batch for deliver purposes. |
| 170 | Allocated quantity Quantity of the referenced item allocated from available stock for delivery. |
| 191 | Adjustment to inventory quantity An adjustment to inventory quantity. |
| 192 | Free goods quantity Quantity of goods which are free of charge. |
| 193 | Free quantity included Quantity included to which no charge is applicable. GS1 Description: Free quantity included. |
| 194 | Received and accepted Quantity which has been received and accepted at a given location. |
| 195 | Received, not accepted, to be returned Quantity which has been received but not accepted at a given location and which will consequently be returned to the relevant party. |
| 196 | Received, not accepted, to be destroyed Quantity which has been received but not accepted at a given location and which will consequently be destroyed. |
| 197 | Reordering level Quantity at which an order may be triggered to replenish. |
| 198 | Quantity in transit Quantity which is currently in transit. Notes: This code value will be removed effective with directory D.04A. |
| 199 | Inventory withdrawal quantity Quantity which has been withdrawn from inventory since the last inventory report. |
| 200 | Free quantity not included Free quantity not included in ordered quantity. |

Used Codes

| | |
|-----|---|
| 205 | <p>Publication Turn Size</p> <p>The quantity of magazines or newspapers grouped together with the spine facing alternate directions in a bundle.</p> <p>EDIFACT</p> |
| 209 | <p>Additional replenishment demand quantity</p> <p>Incremental needs over and above normal replenishment calculations, but not intended to permanently change the model parameters.</p> |
| 210 | <p>Returned by consumer quantity</p> <p>Quantity returned by a consumer.</p> <p>GS1 Description:</p> <p>Quantity of product returned by the consumer to the place/party of sale.</p> |
| 211 | <p>Replenishment override quantity</p> <p>Quantity to override the normal replenishment model calculations, but not intended to permanently change the model parameters.</p> |
| 212 | <p>Quantity sold, net</p> <p>Net quantity sold which includes returns of saleable inventory and other adjustments.</p> |
| 217 | <p>Out of inventory quantity</p> <p>Quantity of inventory which was requested but was not available.</p> |
| 243 | <p>Reserved quantity customer direct delivery sales</p> <p>Quantity of products reserved for sales delivered direct to the customer.</p> |
| 244 | <p>Reserved quantity retail sales</p> <p>Quantity of products reserved for retail sales.</p> |
| 246 | <p>Returns replacement quantity</p> <p>A quantity of goods issued as a replacement for a returned quantity.</p> |
| 247 | <p>Additional promotion sales forecast quantity</p> <p>A forecast of additional quantity which will be sold during a period of promotional activity.</p> |
| 248 | <p>Reserved quantity</p> <p>Quantity reserved for specific purposes.</p> |
| 249 | <p>Quantity displayed not available for sale</p> <p>Quantity displayed within a retail outlet but not available for sale.</p> |
| 250 | <p>Inventory discrepancy</p> <p>The difference recorded between theoretical and physical inventory.</p> |
| 251 | <p>Incremental order quantity</p> <p>The incremental quantity by which ordering is carried out.</p> |
| 252 | <p>Quantity requiring manipulation before despatch</p> <p>A quantity of goods which needs manipulation before despatch.</p> |

Used Codes

| | |
|-----|---|
| 253 | Quantity in quarantine A quantity of goods which are held in a restricted area for quarantine purposes. |
| 255 | Quantity not available for despatch A quantity of goods not available for despatch. |
| 256 | Quantity awaiting delivery Quantity of goods which are awaiting delivery. |
| 257 | Quantity in physical inventory A quantity of goods held in physical inventory. |
| 258 | Quantity held by logistic service provider Quantity of goods under the control of a logistic service provider. |
| 264 | Equipment quantity A count of a quantity of equipment. |
| 266 | Unsold quantity held by wholesaler Unsold quantity held by the wholesaler. |
| 267 | Quantity held by delivery vehicle Quantity of goods held by the delivery vehicle. |
| 268 | Quantity held by retail outlet Quantity held by the retail outlet. |
| 269 | Rejected return quantity A quantity for return which has been rejected. |
| 392 | Supplier estimated previous meter reading Previous meter reading estimated by the supplier. |
| 393 | Supplier estimated latest meter reading Latest meter reading estimated by the supplier. |
| 394 | Customer estimated previous meter reading Previous meter reading estimated by the customer. |
| 395 | Customer estimated latest meter reading Latest meter reading estimated by the customer. |
| 396 | Supplier previous meter reading Previous meter reading done by the supplier. |
| 397 | Supplier latest meter reading Latest meter reading recorded by the supplier. |
| 399 | File size before compression The size of a file before compression. |
| 400 | File size after compression The size of a file after compression. |

Used Codes

| | |
|-----|--|
| 426 | Production requirements Quantity needed to meet production requirements. |
| 440 | Number of quantitative incentive scheme units Number of units allocated to a quantitative incentive scheme. |
| 444 | Return to warehouse A quantity of products sent back to the warehouse. |
| 445 | Return to the manufacturer A quantity of products sent back from the manufacturer. |
| 447 | Quantity moved between outlets The quantity of magazines or newspapers grouped together with the spine facing alternate directions in a bundle. EDIFACT |
| 452 | En route to warehouse quantity A quantity of products that is en route to a warehouse. EDIFACT |
| 453 | En route from warehouse quantity A quantity of products that is en route from a warehouse. EDIFACT |
| 454 | Quantity ordered but not yet allocated from stock A quantity of products which has been ordered but which has not yet been allocated from stock. EDIFACT |
| 455 | Not yet ordered quantity The quantity which has not yet been ordered. EDIFACT |
| 457 | Maximum number of units per shelf Maximum number of units of a product that can be placed on a shelf. EDIFACT |
| 466 | Advised but not arrived Goods are advised by the consignor or supplier, but have not yet arrived at the destination. |
| 467 | Received but not available Goods have been received in the arrival area but are not yet available. |
| 468 | Goods blocked for transshipment process Goods are physically present, but can not be ordered because they are scheduled for a transshipment process. |
| 469 | Goods blocked for cross docking process Goods are physically present, but can not be ordered because they are scheduled for a cross docking process. |

Used Codes

| | |
|-----|---|
| 471 | <p>Number of packages for a set</p> <p>Number of packages used to pack the individual items in a grouping of merchandise that is sold together as a single trade item.</p> |
| 472 | <p>Number of items in a set</p> <p>The number of individual items in a grouping of merchandise that is sold together as a single trade item.</p> |
| 473 | <p>Order sizing factor</p> <p>A trade item specification other than gross, net weight, or volume for a trade item or a transaction, used for order sizing and pricing purposes.</p> |
| 474 | <p>Number of different next lower level trade items</p> <p>Value indicates the number of different next lower level trade items contained in a complex trade item.</p> |
| 475 | <p>Agreed maximum buying quantity</p> <p>The agreed maximum quantity of the trade item that may be purchased.</p> |
| 476 | <p>Agreed minimum buying quantity</p> <p>The agreed minimum quantity of the trade item that may be purchased.</p> |
| 477 | <p>Free quantity of next lower level trade item</p> <p>The numeric quantity of free items in a combination pack. The unit of measure used for the free quantity of the next lower level must be the same as the unit of measure of the Net Content of the Child Trade Item.</p> |
| 503 | <p>Quantity to be checked</p> <p>Quantity which must be checked and confirmed by the partner.</p> |
| 504 | <p>Number of wash loads</p> <p>Number of wash loads or washing machine runs possible per item. EDIFACT</p> |
| 505 | <p>Goods in transit not responsibility of party reporting</p> <p>Stock quantity which is not yet under the responsibility of the party reporting the stocks but which is in transit, i.e. not yet in physical possession. GS1 Note: Replaces GS1 Temporary Code 19E.</p> |
| 506 | <p>Goods in transit responsibility of party reporting</p> <p>Stock quantity under the responsibility of the party reporting the stocks but which is in transit, i.e. not yet in physical possession. GS1 Note: Replaces GS1 Temporary Code 20E.</p> |
| 507 | <p>Free quantity basis</p> <p>A code indicating the basis for a free quantity, e.g. 1 piece free for every 12 purchased, 12 is the basis. GS1 Note: Replaces GS1 Temporary Code 22E.</p> |
| 508 | <p>Forecast quantity</p> <p>A quantity used for forecasting purposes. GS1 Note: Replaces GS1 Temporary Code 26E.</p> |

Used Codes

| | |
|-----|---|
| 509 | <p>Sales forecast quantity</p> <p>A quantity of goods used for sales forecasting purposes. GS1 Note: Replaces GS1 Temporary Code 38E.</p> |
| 510 | <p>Minimum invoicing quantity</p> <p>Minimum quantity of goods which may be invoiced according to agreed conditions. GS1 Note: Replaces GS1 Temporary Code 39E.</p> |
| 511 | <p>Quantity tested</p> <p>Number of items used for testing purposes. GS1 Note: Replaces GS1 Temporary Code 40E.</p> |
| 512 | <p>Must buy product quantity in multi-buy promotion</p> <p>Number of products which must be bought in order to qualify for a multi-buy promotion. GS1 Note: Replaces GS1 Temporary Code 44E.</p> |
| 530 | <p>Requested promotion quantity out of stock</p> <p>The quantity of promotional goods that was requested but out of stock.</p> |
| 531 | <p>Ordered promotion quantity awaiting despatch</p> <p>The quantity of promotional goods that has been ordered and not yet despatched.</p> |
| 532 | <p>Unprocessed confirmed sales order</p> <p>The quantity of goods of the confirmed sales order which has not been processed.</p> |
| 533 | <p>Unprocessed confirmed sales order promotional quantity</p> <p>The quantity of promotional goods of confirmed sales order which has not been processed.</p> |
| 17E | <p>Number of units in lower packaging or configuration level (GS1 Temporary Code)</p> <p>The number of units contained in lower packaging or configuration level.</p> |
| 19E | <p>Goods in transit not responsibility of party reporting (GS1 Temporary Code)</p> <p>Stock quantity which is not yet under the responsibility of the party reporting the stocks but which is in transit, i.e. not yet in physical possession. GS1 Note: Code marked for deletion. Use value 505 instead.</p> |
| 20E | <p>Goods in transit already responsibility of party reporting (GS1 Temporary Code)</p> <p>Stock quantity already under the responsibility of the party reporting the stocks but which is in transit, i.e. not yet in physical possession. GS1 Note: Code marked for deletion. Use value 506 instead.</p> |
| 22E | <p>Free quantity basis (GS1 Temporary Code)</p> <p>A code indicating the basis for a free quantity, e.g. 1 piece free for every 12 purchased, 12 is the basis. GS1 Note: Code marked for deletion. Use value 507 instead.</p> |

Used Codes

| | |
|-----|--|
| 26E | Forecast quantity (GS1 Temporary Code) A quantity used for forecasting purposes other than sales forecasting, e.g. manufacturing forecast. GS1 Note: Code marked for deletion. Use value 508 instead. |
| 31E | Promotional stock (GS1 Temporary Code) A quantity of stock reserved for promotional activities. |
| 32E | Consolidated discount stock (GS1 Temporary Code) Additional stock which is greater than the stocks actually ordered which have been supplied in bulk at favourable terms. |
| 38E | Forecast sales quantity (GS1 Temporary Code) A quantity of goods used for sales forecasting purposes. GS1 Note: Code marked for deletion. Use value 509 instead. |
| 39E | Minimum invoicing quantity (GS1 Temporary Code) Minimum quantity of goods which may be invoiced according to agreed conditions. GS1 Note: Code marked for deletion. Use value 510 instead. |
| 40E | Quantity tested (GS1 Temporary Code) A quantity of an item used for testing purposes. GS1 Note: Code marked for deletion. Use value 511 instead. |
| 44E | Multi-buy promotion quantity (GS1 Temporary Code) A quantity of a product included in a multi-buy promotion which must be purchased in order to qualify for the multi-buy promotion. GS1 Note: Code marked for deletion. Use value 512 instead. |
| 45E | Number of units in higher packaging or configuration level (GS1 Temporary Code) The number of units contained in higher packaging or configuration level. |
| 48E | Quantity blocked by owner of goods (GS1 Temporary Code) A quantity of goods, held by a third party, which has been blocked following an instruction by the owner of the goods. These goods must not be used except with the express permission of the owner of the goods. |
| 61E | Available for despatch (GS1 Temporary Code) Quantity of goods which are available to despatch. (Note: This figure is arrived by calculating the sum of 145+256). |
| 62E | Rate of conversion (GS1 Temporary Code) Rate by which the measured unit must be multiplied to calculate the actual units used. |
| 63E | Maximum number of deliveries (GS1 Temporary Code) Maximum number of deliveries allowed during a defined period of time at a specified activity, e.g. a promotion. |
| 71E | Quantity prepared for despatch (GS1 Temporary Code) Quantity which is prepared for despatch. |

Used Codes

| | |
|-----|--|
| 72E | Average number of units in lower packaging or configuration level (GS1 Temporary Code) The average number of units in lower packaging or configuration level. |
| 75E | Optional quantity (GS1 Temporary Code) Quantity which is optional. |
| 80E | Quantity in customs bond (GS1 Temporary Code) Quantity of goods held in customs bond. |
| 81E | Quantity settling (GS1 Temporary Code) A quantity of product which is settling before it can be used. |
| 82E | Outstanding promotion products quantity (GS1 Temporary Code) The difference between a quantity ordered and a quantity received of a promotion product. This code should only be used where a promotional agreement covering prices and/or quantities exists between the buyer and the supplier. |
| 83E | Promotion quantity ordered to the supplier but not yet received (GS1 Temporary Code) A quantity of promotion products which has been ordered but which is not yet been received at the delivery point. This code should only be used where a promotional agreement covering prices and/or quantities exists between the buyer and the supplier. |
| 84E | Movements out of promotion inventory (GS1 Temporary Code) The quantity which has moved out of promotion inventory. This code should only be used where a promotional agreement covering prices and/or quantities exists between the buyer and the supplier. |
| 85E | Movements into promotion inventory (GS1 Temporary Code) The quantity which has been received into the promotion inventory. |
| 86E | Out of inventory promotion quantity (GS1 Temporary Code) Promotion quantity of inventory which was requested but was not available. |
| 87E | Ordered promotions quantity but awaiting despatch (GS1 Temporary Code) A promotions quantity of goods which have been ordered but are awaiting delivery. |
| 88E | Reserved inventory promotion quantity (GS1 Temporary Code) Promotion quantity for the reserved inventory. |
| 89E | Additional promotions replenishment demand quantity (GS1 Temporary Code) Incremental promotion needs over and above normal replenishment calculations, but not intended to permanently change the model parameters. |
| 90E | Back order promotion quantity (GS1 Temporary Code) The promotion quantity which has been ordered, but not delivered. |
| 91E | Promotional ordered quantity (GS1 Temporary Code) Quantity of ordered product related to a promotion. |

Used Codes

| | |
|-------------|--|
| 92E | Produced quantity (GS1 Temporary Code) The quantity which has been produced. |
| 93E | Extraordinary sale (GS1 Temporary Code) Sales which will not be included in the calculation of replenishment requirements, e.g. sales to staff, to sport clubs, etc. |
| X11 | Incentive unit basis (GS1 Temporary Code) Unit basis used to calculate quantitative incentive schemes. |
| X20 | Reserved quantity, provisional (GS1 Temporary Code) A quantity of stock provisionally reserved prior to a formal decision. |
| X22 | Consignment stock, available on ordering (GS1 Temporary Code) A quantity of products in consignment stock which become available to the buyer when they have been ordered. |
| X23 | Consignment stock, available on agreement (GS1 Temporary Code) A quantity of products in consignment stock which become available to the buyer after an agreement has been reached. |
| X24 | Consignment stock, available at due date (GS1 Temporary Code) A quantity of products in consignment stock which become available to the buyer at a scheduled due date. |
| 6069 | Control total type code qualifier Code qualifying the type of control of hash total. |
| 2 | Number of line items in message Self-explanatory. GS1 Description: The total number of LIN segments in a message. |
| 6411 | Measurement unit code Code specifying the unit of measurement. |
| | Notes: 1. Recommend use UN/ECE Recommendation 20, Common code. |
| 10 | group A unit of count defining the number of groups (group: set of items classified together). |
| 11 | outfit A unit of count defining the number of outfits (outfit: a complete set of equipment / materials / objects used for a specific purpose). |
| 13 | ration A unit of count defining the number of rations (ration: a single portion of provisions). |

Used Codes

| | |
|----|--|
| 14 | shot A unit of liquid measure, especially related to spirits. |
| 15 | stick, military A unit of count defining the number of military sticks (military stick: bombs or paratroops released in rapid succession from an aircraft). |
| 20 | twenty foot container A unit of count defining the number of shipping containers that measure 20 foot in length. |
| 21 | forty foot container A unit of count defining the number of shipping containers that measure 40 foot in length. |
| 22 | decilitre per gram |
| 23 | gram per cubic centimetre |
| 24 | theoretical pound A unit of mass defining the expected mass of material expressed as the number of pounds. |
| 25 | gram per square centimetre |
| 27 | theoretical ton A unit of mass defining the expected mass of material, expressed as the number of tons. |
| 28 | kilogram per square metre |
| 33 | kilopascal square metre per gram |
| 34 | kilopascal per millimetre |
| 35 | millilitre per square centimetre second |
| 37 | ounce per square foot |
| 38 | ounce per square foot per 0,01inch |
| 40 | millilitre per second |
| 41 | millilitre per minute |
| 56 | sitas A unit of area for tin plate equal to a surface area of 100 square metres. |
| 57 | mesh A unit of count defining the number of strands per inch as a measure of the fineness of a woven product. |
| 58 | net kilogram A unit of mass defining the total number of kilograms after deductions. |
| 59 | part per million A unit of proportion equal to 10 to the power of -6. |

Used Codes

| | |
|----|--|
| 60 | percent weight A unit of proportion equal to 10 to the power of -2. |
| 61 | part per billion (US) A unit of proportion equal to 10 to the power of -9. |
| 64 | pound per square inch, gauge |
| 66 | oersted |
| 74 | millipascal |
| 76 | gauss |
| 77 | milli-inch |
| 78 | kilogauss |
| 80 | pound per square inch absolute |
| 81 | henry |
| 84 | kilopound-force per square inch A unit of pressure defining the number of kilopounds force per square inch. Use kip per square inch (common code N20). |
| 85 | foot pound-force |
| 87 | pound per cubic foot |
| 89 | poise |
| 91 | stokes |
| 1I | fixed rate A unit of quantity expressed as a predetermined or set rate for usage of a facility or service. |
| 2A | radian per second Refer ISO/TC12 SI Guide |
| 2B | radian per second squared Refer ISO/TC12 SI Guide |
| 2C | roentgen |
| 2G | volt AC A unit of electric potential in relation to alternating current (AC). |
| 2H | volt DC A unit of electric potential in relation to direct current (DC). |
| 2I | British thermal unit (international table) per hour |
| 2J | cubic centimetre per second |
| 2K | cubic foot per hour |
| 2L | cubic foot per minute |

Used Codes

| | |
|----|---|
| 2M | centimetre per second |
| 2N | decibel |
| 2P | kilobyte A unit of information equal to 10 to the power of 3 (1000) bytes. |
| 2Q | kilobecquerel |
| 2R | kilocurie |
| 2U | megagram |
| 2X | metre per minute |
| 2Y | milliroentgen |
| 2Z | millivolt |
| 3B | megajoule |
| 3C | manmonth A unit of count defining the number of months for a person or persons to perform an undertaking. |
| 4C | centistokes |
| 4G | microlitre |
| 4H | micrometre (micron) |
| 4K | milliampere |
| 4L | megabyte A unit of information equal to 10 to the power of 6 (1000000) bytes. |
| 4M | milligram per hour |
| 4N | megabecquerel |
| 4O | microfarad |
| 4P | newton per metre |
| 4Q | ounce inch |
| 4R | ounce foot |
| 4T | picofarad |
| 4U | pound per hour |
| 4W | ton (US) per hour |
| 4X | kilolitre per hour |
| 5A | barrel (US) per minute |
| 5B | batch A unit of count defining the number of batches (batch: quantity of material produced in one operation or number of animals or persons coming at once). |

Used Codes

| | |
|-----|--|
| 5E | MMSCF/day A unit of volume equal to one million (1000000) cubic feet of gas per day. |
| 5J | hydraulic horse power A unit of power defining the hydraulic horse power delivered by a fluid pump depending on the viscosity of the fluid. |
| A1 | 15 °C calorie |
| A10 | ampere square metre per joule second |
| A11 | angstrom |
| A12 | astronomical unit |
| A13 | attojoule |
| A14 | barn |
| A15 | barn per electronvolt |
| A16 | barn per steradian electronvolt |
| A17 | barn per steradian |
| A18 | becquerel per kilogram |
| A19 | becquerel per cubic metre |
| A2 | ampere per centimetre |
| A20 | British thermal unit (international table) per second square foot degree Rankine |
| A21 | British thermal unit (international table) per pound degree Rankine |
| A22 | British thermal unit (international table) per second foot degree Rankine |
| A23 | British thermal unit (international table) per hour square foot degree Rankine |
| A24 | candela per square metre |
| A25 | cheval vapeur Synonym: metric horse power |
| A26 | coulomb metre |
| A27 | coulomb metre squared per volt |
| A28 | coulomb per cubic centimetre |
| A29 | coulomb per cubic metre |
| A3 | ampere per millimetre |
| A30 | coulomb per cubic millimetre |
| A31 | coulomb per kilogram second |
| A32 | coulomb per mole |
| A33 | coulomb per square centimetre |
| A34 | coulomb per square metre |

Used Codes

| | |
|-----|---|
| A35 | coulomb per square millimetre |
| A36 | cubic centimetre per mole |
| A37 | cubic decimetre per mole |
| A38 | cubic metre per coulomb |
| A39 | cubic metre per kilogram |
| A4 | ampere per square centimetre |
| A40 | cubic metre per mole |
| A41 | ampere per square metre |
| A42 | curie per kilogram |
| A43 | deadweight tonnage A unit of mass defining the difference between the weight of a ship when completely empty and its weight when completely loaded, expressed as the number of tons. |
| A44 | decalitre |
| A45 | decametre |
| A47 | decitex A unit of yarn density. One decitex equals a mass of 1 gram per 10 kilometres of length. |
| A48 | degree Rankine Refer ISO 80000-5 (Quantities and units — Part 5: Thermodynamics) |
| A49 | denier A unit of yarn density. One denier equals a mass of 1 gram per 9 kilometres of length. |
| A5 | ampere square metre |
| A50 | dyne second per cubic centimetre |
| A51 | dyne second per centimetre |
| A52 | dyne second per centimetre to the fifth power |
| A53 | electronvolt |
| A54 | electronvolt per metre |
| A55 | electronvolt square metre |
| A56 | electronvolt square metre per kilogram |
| A57 | erg |
| A58 | erg per centimetre |

Used Codes

| | |
|-----|---|
| A59 | 8-part cloud cover A unit of count defining the number of eighth-parts as a measure of the celestial dome cloud coverage. Synonym: OKTA , OCTA |
| A6 | ampere per square metre kelvin squared |
| A60 | erg per cubic centimetre |
| A61 | erg per gram |
| A62 | erg per gram second |
| A63 | erg per second |
| A64 | erg per second square centimetre |
| A65 | erg per square centimetre second |
| A66 | erg square centimetre |
| A67 | erg square centimetre per gram |
| A68 | exajoule |
| A69 | farad per metre |
| A7 | ampere per square millimetre |
| A70 | femtojoule |
| A71 | femtometre |
| A73 | foot per second squared |
| A74 | foot pound-force per second |
| A75 | freight ton A unit of information typically used for billing purposes, defined as either the number of metric tons or the number of cubic metres, whichever is the larger. |
| A76 | gal |
| A77 | Gaussian CGS (Centimetre-Gram-Second system) unit of displacement |
| A78 | Gaussian CGS (Centimetre-Gram-Second system) unit of electric current |
| A79 | Gaussian CGS (Centimetre-Gram-Second system) unit of electric charge |
| A8 | ampere second |
| A80 | Gaussian CGS (Centimetre-Gram-Second system) unit of electric field strength |
| A81 | Gaussian CGS (Centimetre-Gram-Second system) unit of electric polarization |
| A82 | Gaussian CGS (Centimetre-Gram-Second system) unit of electric potential |
| A83 | Gaussian CGS (Centimetre-Gram-Second system) unit of magnetization |
| A84 | gigacoulomb per cubic metre |
| A85 | gigaelectronvolt |
| A86 | gigahertz |

Used Codes

| | |
|-----|---|
| A87 | gigaohm |
| A88 | gigaohm metre |
| A89 | gigapascal |
| A9 | rate A unit of quantity expressed as a rate for usage of a facility or service. |
| A90 | gigawatt |
| A91 | gon Synonym: grade |
| A93 | gram per cubic metre |
| A94 | gram per mole |
| A95 | gray |
| A96 | gray per second |
| A97 | hectopascal |
| A98 | henry per metre |
| A99 | bit A unit of information equal to one binary digit. |
| AA | ball A unit of count defining the number of balls (ball: object formed in the shape of sphere). |
| AB | bulk pack A unit of count defining the number of items per bulk pack. |
| ACR | acre |
| ACT | activity A unit of count defining the number of activities (activity: a unit of work or action). |
| AD | byte A unit of information equal to 8 bits. |
| AE | ampere per metre |
| AH | additional minute A unit of time defining the number of minutes in addition to the referenced minutes. |
| AI | average minute per call A unit of count defining the number of minutes for the average interval of a call. |
| AK | fathom |
| AL | access line A unit of count defining the number of telephone access lines. |

Used Codes

| | |
|-----|---|
| AMH | ampere hour A unit of electric charge defining the amount of charge accumulated by a steady flow of one ampere for one hour. |
| AMP | ampere |
| ANN | year Unit of time equal to 365,25 days. Synonym: Julian year |
| APZ | troy ounce or apothecary ounce |
| AQ | anti-hemophilic factor (AHF) unit A unit of measure for blood potency (US). |
| ARE | are Synonym: square decametre |
| AS | assortment A unit of count defining the number of assortments (assortment: set of items grouped in a mixed collection). |
| ASM | alcoholic strength by mass A unit of mass defining the alcoholic strength of a liquid. |
| ASU | alcoholic strength by volume A unit of volume defining the alcoholic strength of a liquid (e.g. spirit, wine, beer, etc), often at a specific temperature. |
| ATM | standard atmosphere |
| ATT | technical atmosphere |
| AWG | american wire gauge A unit of distance used for measuring the diameter of small tubes or wires such as the outer diameter of hypotermic or suture needles. |
| AY | assembly A unit of count defining the number of assemblies (assembly: items that consist of component parts). |
| AZ | British thermal unit (international table) per pound |
| B1 | barrel (US) per day |
| B10 | bit per second A unit of information equal to one binary digit per second. |
| B11 | joule per kilogram kelvin |
| B12 | joule per metre |
| B13 | joule per square metre Synonym: joule per metre squared |
| B14 | joule per metre to the fourth power |
| B15 | joule per mole |

Used Codes

| | |
|-----|--|
| B16 | joule per mole kelvin |
| B17 | credit A unit of count defining the number of entries made to the credit side of an account. |
| B18 | joule second |
| B19 | digit A unit of information defining the quantity of numerals used to form a number. |
| B20 | joule square metre per kilogram |
| B21 | kelvin per watt |
| B22 | kiloampere |
| B23 | kiloampere per square metre |
| B24 | kiloampere per metre |
| B25 | kilobecquerel per kilogram |
| B26 | kilocoulomb |
| B27 | kilocoulomb per cubic metre |
| B28 | kilocoulomb per square metre |
| B29 | kiloelectronvolt |
| B3 | batting pound A unit of mass defining the number of pounds of wadded fibre. |
| B30 | gibibit A unit of information equal to 2^{30} bits (binary digits). |
| B31 | kilogram metre per second |
| B32 | kilogram metre squared |
| B33 | kilogram metre squared per second |
| B34 | kilogram per cubic decimetre |
| B35 | kilogram per litre |
| B36 | calorie (thermochemical) per gram |
| B37 | kilogram-force |
| B38 | kilogram-force metre |
| B39 | kilogram-force metre per second |
| B4 | barrel, imperial A unit of volume used to measure beer. One beer barrel equals 36 imperial gallons. |
| B40 | kilogram-force per square metre |
| B41 | kilojoule per kelvin |

Used Codes

| | |
|-----|--|
| B42 | kilojoule per kilogram |
| B43 | kilojoule per kilogram kelvin |
| B44 | kilojoule per mole |
| B45 | kilomole |
| B46 | kilomole per cubic metre |
| B47 | kilonewton |
| B48 | kilonewton metre |
| B49 | kiloohm |
| B50 | kiloohm metre |
| B51 | kilopond Synonym: kilogram-force |
| B52 | kilosecond |
| B53 | kilosiemens |
| B54 | kilosiemens per metre |
| B55 | kilovolt per metre |
| B56 | kiloweber per metre |
| B57 | light year A unit of length defining the distance that light travels in a vacuum in one year. |
| B58 | litre per mole |
| B59 | lumen hour |
| B60 | lumen per square metre |
| B61 | lumen per watt |
| B62 | lumen second |
| B63 | lux hour |
| B64 | lux second |
| B65 | maxwell |
| B66 | megaampere per square metre |
| B67 | megabecquerel per kilogram |
| B68 | gigabit A unit of information equal to 10 to the power of 9 bits (binary digits). |
| B69 | megacoulomb per cubic metre |
| B7 | cycle A unit of count defining the number of cycles (cycle: a recurrent period of definite duration). |

Used Codes

| | |
|-----|--|
| B70 | megacoulomb per square metre |
| B71 | megaelectronvolt |
| B72 | megagram per cubic metre |
| B73 | meganewton |
| B74 | meganewton metre |
| B75 | megaohm |
| B76 | megaohm metre |
| B77 | megasiemens per metre |
| B78 | megavolt |
| B79 | megavolt per metre |
| B8 | joule per cubic metre |
| B80 | gigabit per second A unit of information equal to 10 to the power of 9 bits (binary digits) per second. |
| B81 | reciprocal metre squared reciprocal second |
| B82 | inch per linear foot A unit of length defining the number of inches per linear foot. |
| B83 | metre to the fourth power |
| B84 | microampere |
| B85 | microbar |
| B86 | microcoulomb |
| B87 | microcoulomb per cubic metre |
| B88 | microcoulomb per square metre |
| B89 | microfarad per metre |
| B90 | microhenry |
| B91 | microhenry per metre |
| B92 | micronewton |
| B93 | micronewton metre |
| B94 | microohm |
| B95 | microohm metre |
| B96 | micropascal |
| B97 | microradian |
| B98 | microsecond |
| B99 | microsiemens |

Used Codes

| | |
|-----|---|
| BAR | bar [unit of pressure] |
| BB | base box A unit of area of 112 sheets of tin mil products (tin plate, tin free steel or black plate) 14 by 20 inches, or 31,360 square inches. |
| BFT | board foot A unit of volume defining the number of cords (cord: a stack of firewood of 128 cubic feet). |
| BHP | brake horse power |
| BIL | billion (EUR) Synonym: trillion (US) |
| BLD | dry barrel (US) |
| BLL | barrel (US) |
| BP | hundred board foot A unit of volume equal to one hundred board foot. |
| BPM | beats per minute The number of beats per minute. |
| BQL | becquerel |
| BTU | British thermal unit (international table) |
| BUA | bushel (US) |
| BUI | bushel (UK) |
| C0 | call A unit of count defining the number of calls (call: communication session or visitation). |
| C10 | millifarad |
| C11 | milligal |
| C12 | milligram per metre |
| C13 | milligray |
| C14 | millihenry |
| C15 | millijoule |
| C16 | millimetre per second |
| C17 | millimetre squared per second |
| C18 | millimole |
| C19 | mole per kilogram |
| C20 | millinewton |
| C21 | kibibit A unit of information equal to 2 to the power of 10 (1024) bits (binary digits). |

Used Codes

| | |
|-----|---|
| C22 | millinewton per metre |
| C23 | milliohm metre |
| C24 | millipascal second |
| C25 | milliradian |
| C26 | millisecond |
| C27 | millisiemens |
| C28 | millisievert |
| C29 | millitesla |
| C3 | microvolt per metre |
| C30 | millivolt per metre |
| C31 | milliwatt |
| C32 | milliwatt per square metre |
| C33 | milliweber |
| C34 | mole |
| C35 | mole per cubic decimetre |
| C36 | mole per cubic metre |
| C37 | kilobit A unit of information equal to 10 to the power of 3 (1000) bits (binary digits). |
| C38 | mole per litre |
| C39 | nanoampere |
| C40 | nanocoulomb |
| C41 | nanofarad |
| C42 | nanofarad per metre |
| C43 | nanohenry |
| C44 | nanohenry per metre |
| C45 | nanometre |
| C46 | nanoohm metre |
| C47 | nanosecond |
| C48 | nanotesla |
| C49 | nanowatt |
| C50 | neper |
| C51 | neper per second |
| C52 | picometre |

Used Codes

| | |
|-----|---|
| C53 | newton metre second |
| C54 | newton metre squared per kilogram squared |
| C55 | newton per square metre |
| C56 | newton per square millimetre |
| C57 | newton second |
| C58 | newton second per metre |
| C59 | octave A unit used in music to describe the ratio in frequency between notes. |
| C60 | ohm centimetre |
| C61 | ohm metre |
| C62 | one Synonym: unit |
| C63 | parsec |
| C64 | pascal per kelvin |
| C65 | pascal second |
| C66 | pascal second per cubic metre |
| C67 | pascal second per metre |
| C68 | petajoule |
| C69 | phon A unit of subjective sound loudness. A sound has loudness p phons if it seems to the listener to be equal in loudness to the sound of a pure tone of frequency 1 kilohertz and strength p decibels. |
| C7 | centipoise |
| C70 | picoampere |
| C71 | picocoulomb |
| C72 | picofarad per metre |
| C73 | picohenry |
| C74 | kilobit per second A unit of information equal to 10 to the power of 3 (1000) bits (binary digits) per second. |
| C75 | picowatt |
| C76 | picowatt per square metre |
| C78 | pound-force |
| C79 | kilovolt ampere hour A unit of accumulated energy of 1000 volt amperes over a period of one hour. |

Used Codes

| | |
|-----|--|
| C8 | millicoulomb per kilogram |
| C80 | rad |
| C81 | radian |
| C82 | radian square metre per mole |
| C83 | radian square metre per kilogram |
| C84 | radian per metre |
| C85 | reciprocal angstrom |
| C86 | reciprocal cubic metre |
| C87 | reciprocal cubic metre per second Synonym: reciprocal second per cubic metre |
| C88 | reciprocal electron volt per cubic metre |
| C89 | reciprocal henry |
| C9 | coil group A unit of count defining the number of coil groups (coil group: groups of items arranged by lengths of those items placed in a joined sequence of concentric circles). |
| C90 | reciprocal joule per cubic metre |
| C91 | reciprocal kelvin or kelvin to the power minus one |
| C92 | reciprocal metre |
| C93 | reciprocal square metre Synonym: reciprocal metre squared |
| C94 | reciprocal minute |
| C95 | reciprocal mole |
| C96 | reciprocal pascal or pascal to the power minus one |
| C97 | reciprocal second |
| C99 | reciprocal second per metre squared |
| CCT | carrying capacity in metric ton A unit of mass defining the carrying capacity, expressed as the number of metric tons. |
| CDL | candela |
| CEL | degree Celsius Refer ISO 80000-5 (Quantities and units — Part 5: Thermodynamics) |
| CEN | hundred A unit of count defining the number of units in multiples of 100. |

Used Codes

| | |
|-----|--|
| CG | card A unit of count defining the number of units of card (card: thick stiff paper or cardboard). |
| CGM | centigram |
| CKG | coulomb per kilogram |
| CLF | hundred leave A unit of count defining the number of leaves, expressed in units of one hundred leaves. |
| CLT | centilitre |
| CMK | square centimetre |
| CMQ | cubic centimetre |
| CMT | centimetre |
| CNP | hundred pack A unit of count defining the number of hundred-packs (hundred-pack: set of one hundred items packaged together). |
| CNT | cental (UK) A unit of mass equal to one hundred weight (US). |
| COU | coulomb |
| CTG | content gram A unit of mass defining the number of grams of a named item in a product. |
| CTM | metric carat |
| CTN | content ton (metric) A unit of mass defining the number of metric tons of a named item in a product. |
| CUR | curie |
| CWA | hundred pound (cwt) / hundred weight (US) |
| CWI | hundred weight (UK) |
| D03 | kilowatt hour per hour A unit of accumulated energy of a thousand watts over a period of one hour. |
| D04 | lot [unit of weight] A unit of weight equal to about 1/2 ounce or 15 grams. |
| D1 | reciprocal second per steradian |
| D10 | siemens per metre |
| D11 | mebibit A unit of information equal to 2 to the power of 20 (1048576) bits (binary digits). |
| D12 | siemens square metre per mole |

Used Codes

| | |
|-----|---|
| D13 | sievert |
| D15 | sone A unit of subjective sound loudness. One sone is the loudness of a pure tone of frequency one kilohertz and strength 40 decibels. |
| D16 | square centimetre per erg |
| D17 | square centimetre per steradian erg |
| D18 | metre kelvin |
| D19 | square metre kelvin per watt |
| D2 | reciprocal second per steradian metre squared |
| D20 | square metre per joule |
| D21 | square metre per kilogram |
| D22 | square metre per mole |
| D23 | pen gram (protein) A unit of count defining the number of grams of amino acid prescribed for parenteral/enteral therapy. |
| D24 | square metre per steradian |
| D25 | square metre per steradian joule |
| D26 | square metre per volt second |
| D27 | steradian |
| D29 | terahertz |
| D30 | terajoule |
| D31 | terawatt |
| D32 | terawatt hour |
| D33 | tesla |
| D34 | tex A unit of yarn density. One decitex equals a mass of 1 gram per 1 kilometre of length. |
| D35 | calorie (thermochemical) |
| D36 | megabit A unit of information equal to 10 to the power of 6 (1000000) bits (binary digits). |
| D37 | calorie (thermochemical) per gram kelvin |
| D38 | calorie (thermochemical) per second centimetre kelvin |
| D39 | calorie (thermochemical) per second square centimetre kelvin |
| D41 | tonne per cubic metre |

Used Codes

| | |
|-----|---|
| D42 | tropical year |
| D43 | unified atomic mass unit |
| D44 | var The name of the unit is an acronym for volt-ampere-reactive. |
| D45 | volt squared per kelvin squared |
| D46 | volt - ampere |
| D47 | volt per centimetre |
| D48 | volt per kelvin |
| D49 | millivolt per kelvin |
| D5 | kilogram per square centimetre |
| D50 | volt per metre |
| D51 | volt per millimetre |
| D52 | watt per kelvin |
| D53 | watt per metre kelvin |
| D54 | watt per square metre |
| D55 | watt per square metre kelvin |
| D56 | watt per square metre kelvin to the fourth power |
| D57 | watt per steradian |
| D58 | watt per steradian square metre |
| D59 | weber per metre |
| D6 | roentgen per second |
| D60 | weber per millimetre |
| D61 | minute [unit of angle] |
| D62 | second [unit of angle] |
| D63 | book A unit of count defining the number of books (book: set of items bound together or written document of a material whole). |
| D65 | round A unit of count defining the number of rounds (round: A circular or cylindrical object). |
| D68 | number of words A unit of count defining the number of words. |
| D69 | inch to the fourth power |
| D70 | calorie (international table) |
| D71 | calorie (international table) per second centimetre kelvin |

Used Codes

| | |
|-----|---|
| D72 | calorie (international table) per second square centimetre kelvin |
| D73 | joule square metre |
| D74 | kilogram per mole |
| D75 | calorie (international table) per gram |
| D76 | calorie (international table) per gram kelvin |
| D77 | megacoulomb |
| D78 | megajoule per second A unit of accumulated energy equal to one million joules per second. |
| D80 | microwatt |
| D81 | microtesla |
| D82 | microvolt |
| D83 | millinewton metre |
| D85 | microwatt per square metre |
| D86 | millicoulomb |
| D87 | millimole per kilogram |
| D88 | millicoulomb per cubic metre |
| D89 | millicoulomb per square metre |
| D9 | dyne per square centimetre |
| D91 | rem |
| D93 | second per cubic metre |
| D94 | second per cubic metre radian |
| D95 | joule per gram |
| DAA | decare |
| DAD | ten day A unit of time defining the number of days in multiples of 10. |
| DAY | day |
| DB | dry pound A unit of mass defining the number of pounds of a product, disregarding the water content of the product. |
| DBM | Decibel-milliwatts dBm (sometimes dBmW or decibel-milliwatts) is unit of level used to indicate that a power ratio is expressed in decibels (dB) with reference to one milliwatt (mW). |
| DBW | Decibel watt The decibel watt or dBW is a unit for the measurement of the strength of a signal expressed in decibels relative to one watt. |

Used Codes

| | |
|-----|---|
| DD | degree [unit of angle] |
| DEC | decade A unit of count defining the number of decades (decade: quantity equal to 10 or time equal to 10 years). |
| DG | decigram |
| DJ | decagram |
| DLT | decilitre |
| DMA | cubic decametre |
| DMK | square decimetre |
| DMO | standard kilolitre A unit of volume defining the number of kilolitres of a product at a temperature of 15 degrees Celsius, especially in relation to hydrocarbon oils. |
| DMQ | cubic decimetre |
| DMT | decimetre |
| DN | decinewton metre |
| DPC | dozen piece A unit of count defining the number of pieces in multiples of 12 (piece: a single item, article or exemplar). |
| DPR | dozen pair A unit of count defining the number of pairs in multiples of 12 (pair: item described by two's). |
| DPT | displacement tonnage A unit of mass defining the volume of sea water a ship displaces, expressed as the number of tons. |
| DRA | dram (US) Synonym: drachm (UK), troy dram |
| DRI | dram (UK) Synonym: avoirdupois dram |
| DRL | dozen roll A unit of count defining the number of rolls, expressed in twelve roll units. |
| DT | dry ton A unit of mass defining the number of tons of a product, disregarding the water content of the product. |
| DTN | decitonne Synonym: centner, metric 100 kg, quintal, metric 100 kg |
| DU | dyne |
| DWT | pennyweight |

Used Codes

| | |
|-----|---|
| DX | dyne per centimetre |
| DZN | dozen A unit of count defining the number of units in multiples of 12. |
| DZP | dozen pack A unit of count defining the number of packs in multiples of 12 (pack: standard packaging unit). |
| E01 | newton per square centimetre A measure of pressure expressed in newtons per square centimetre. |
| E07 | megawatt hour per hour A unit of accumulated energy of a million watts over a period of one hour. |
| E08 | megawatt per hertz A unit of energy expressed as the load change in million watts that will cause a frequency shift of one hertz. |
| E09 | milliampere hour A unit of power load delivered at the rate of one thousandth of an ampere over a period of one hour. |
| E10 | degree day A unit of measure used in meteorology and engineering to measure the demand for heating or cooling over a given period of days. |
| E11 | gigacalorie A unit of heat energy equal to one thousand million calories. |
| E12 | mille A unit of count defining the number of cigarettes in units of 1000. |
| E14 | kilocalorie (international table) A unit of heat energy equal to one thousand calories. |
| E15 | kilocalorie (thermochemical) per hour A unit of energy equal to one thousand calories per hour. |
| E16 | million Btu(IT) per hour A unit of power equal to one million British thermal units per hour. |
| E17 | cubic foot per second A unit of volume equal to one cubic foot passing a given point in a period of one second. |
| E18 | tonne per hour A unit of weight or mass equal to one tonne per hour. |
| E19 | ping A unit of area equal to 3.3 square metres. |
| E20 | megabit per second A unit of information equal to 10 to the power of 6 (1000000) bits (binary digits) per second. |

Used Codes

| | |
|-----|--|
| E21 | shares A unit of count defining the number of shares (share: a total or portion of the parts into which a business entity's capital is divided). |
| E22 | TEU A unit of count defining the number of twenty-foot equivalent units (TEUs) as a measure of containerized cargo capacity. |
| E23 | tyre A unit of count defining the number of tyres (a solid or air-filled covering placed around a wheel rim to form a soft contact with the road, absorb shock and provide traction). |
| E25 | active unit A unit of count defining the number of active units within a substance. |
| E27 | dose A unit of count defining the number of doses (dose: a definite quantity of a medicine or drug). |
| E28 | air dry ton A unit of mass defining the number of tons of a product, disregarding the water content of the product. |
| E30 | strand A unit of count defining the number of strands (strand: long, thin, flexible, single thread, strip of fibre, constituent filament or multiples of the same, twisted together). |
| E31 | square metre per litre A unit of count defining the number of square metres per litre. |
| E32 | litre per hour A unit of count defining the number of litres per hour. |
| E33 | foot per thousand A unit of count defining the number of feet per thousand units. |
| E34 | gigabyte A unit of information equal to 10 to the power of 9 bytes. |
| E35 | terabyte A unit of information equal to 10 to the power of 12 bytes. |
| E36 | petabyte A unit of information equal to 10 to the power of 15 bytes. |
| E37 | pixel A unit of count defining the number of pixels (pixel: picture element). |
| E38 | megapixel A unit of count equal to 10 to the power of 6 (1000000) pixels (picture elements). |

Used Codes

| | |
|-----|--|
| E39 | dots per inch A unit of information defining the number of dots per linear inch as a measure of the resolution or sharpness of a graphic image. |
| E4 | gross kilogram A unit of mass defining the total number of kilograms before deductions. |
| E40 | part per hundred thousand A unit of proportion equal to 10 to the power of -5. |
| E41 | kilogram-force per square millimetre A unit of pressure defining the number of kilograms force per square millimetre. |
| E42 | kilogram-force per square centimetre A unit of pressure defining the number of kilograms force per square centimetre. |
| E43 | joule per square centimetre A unit of energy defining the number of joules per square centimetre. |
| E44 | kilogram-force metre per square centimetre A unit of torsion defining the torque kilogram-force metre per square centimetre. |
| E45 | milliohm |
| E46 | kilowatt hour per cubic metre A unit of energy consumption expressed as kilowatt hour per cubic metre. |
| E47 | kilowatt hour per kelvin A unit of energy consumption expressed as kilowatt hour per kelvin. |
| E48 | service unit A unit of count defining the number of service units (service unit: defined period / property / facility / utility of supply). |
| E49 | working day A unit of count defining the number of working days (working day: a day on which work is ordinarily performed). |
| E50 | accounting unit A unit of count defining the number of accounting units. |
| E51 | job A unit of count defining the number of jobs. |
| E52 | run foot A unit of count defining the number feet per run. |
| E53 | test A unit of count defining the number of tests. |
| E54 | trip A unit of count defining the number of trips. |

Used Codes

| | |
|-----|--|
| E55 | use A unit of count defining the number of times an object is used. |
| E56 | well A unit of count defining the number of wells. |
| E57 | zone A unit of count defining the number of zones. |
| E58 | exabit per second A unit of information equal to 10 to the power of 18 bits (binary digits) per second. |
| E59 | exbibyte A unit of information equal to 2 to the power of 60 bytes. |
| E60 | pebibyte A unit of information equal to 2 to the power of 50 bytes. |
| E61 | tebibyte A unit of information equal to 2 to the power of 40 bytes. |
| E62 | gibibyte A unit of information equal to 2 to the power of 30 bytes. |
| E63 | mebibyte A unit of information equal to 2 to the power of 20 bytes. |
| E64 | kibibyte A unit of information equal to 2 to the power of 10 bytes. |
| E65 | exbibit per metre A unit of information equal to 2 to the power of 60 bits (binary digits) per metre. |
| E66 | exbibit per square metre A unit of information equal to 2 to the power of 60 bits (binary digits) per square metre. |
| E67 | exbibit per cubic metre A unit of information equal to 2 to the power of 60 bits (binary digits) per cubic metre. |
| E68 | gigabyte per second A unit of information equal to 10 to the power of 9 bytes per second. |
| E69 | gibibit per metre A unit of information equal to 2 to the power of 30 bits (binary digits) per metre. |
| E70 | gibibit per square metre A unit of information equal to 2 to the power of 30 bits (binary digits) per square metre. |

Used Codes

| | |
|-----|--|
| E71 | gibibit per cubic metre A unit of information equal to 2 to the power of 30 bits (binary digits) per cubic metre. |
| E72 | kibibit per metre A unit of information equal to 2 to the power of 10 bits (binary digits) per metre. |
| E73 | kibibit per square metre A unit of information equal to 2 to the power of 10 bits (binary digits) per square metre. |
| E74 | kibibit per cubic metre A unit of information equal to 2 to the power of 10 bits (binary digits) per cubic metre. |
| E75 | mebibit per metre A unit of information equal to 2 to the power of 20 bits (binary digits) per metre. |
| E76 | mebibit per square metre A unit of information equal to 2 to the power of 20 bits (binary digits) per square metre. |
| E77 | mebibit per cubic metre A unit of information equal to 2 to the power of 20 bits (binary digits) per cubic metre. |
| E78 | petabit A unit of information equal to 10 to the power of 15 bits (binary digits). |
| E79 | petabit per second A unit of information equal to 10 to the power of 15 bits (binary digits) per second. |
| E80 | pebibit per metre A unit of information equal to 2 to the power of 50 bits (binary digits) per metre. |
| E81 | pebibit per square metre A unit of information equal to 2 to the power of 50 bits (binary digits) per square metre. |
| E82 | pebibit per cubic metre A unit of information equal to 2 to the power of 50 bits (binary digits) per cubic metre. |
| E83 | terabit A unit of information equal to 10 to the power of 12 bits (binary digits). |
| E84 | terabit per second A unit of information equal to 10 to the power of 12 bits (binary digits) per second. |

Used Codes

| | |
|-----|--|
| E85 | tebibit per metre A unit of information equal to 2 to the power of 40 bits (binary digits) per metre. |
| E86 | tebibit per cubic metre A unit of information equal to 2 to the power of 40 bits (binary digits) per cubic metre. |
| E87 | tebibit per square metre A unit of information equal to 2 to the power of 40 bits (binary digits) per square metre. |
| E88 | bit per metre A unit of information equal to 1 bit (binary digit) per metre. |
| E89 | bit per square metre A unit of information equal to 1 bit (binary digit) per square metre. |
| E90 | reciprocal centimetre |
| E91 | reciprocal day |
| E92 | cubic decimetre per hour |
| E93 | kilogram per hour |
| E94 | kilomole per second |
| E95 | mole per second |
| E96 | degree per second |
| E97 | millimetre per degree Celcius metre |
| E98 | degree Celsius per kelvin |
| E99 | hectopascal per bar |
| EA | each A unit of count defining the number of items regarded as separate units. |
| EB | electronic mail box A unit of count defining the number of electronic mail boxes. |
| EQ | equivalent gallon A unit of volume defining the number of gallons of product produced from concentrate. |
| F01 | bit per cubic metre A unit of information equal to 1 bit (binary digit) per cubic metre. |
| F02 | kelvin per kelvin |
| F03 | kilopascal per bar |
| F04 | millibar per bar |
| F05 | megapascal per bar |

Used Codes

| | |
|-----|---|
| F06 | poise per bar |
| F07 | pascal per bar |
| F08 | milliampere per inch |
| F10 | kelvin per hour |
| F11 | kelvin per minute |
| F12 | kelvin per second |
| F13 | slug A unit of mass. One slug is the mass accelerated at 1 foot per second per second by a force of 1 pound. |
| F14 | gram per kelvin |
| F15 | kilogram per kelvin |
| F16 | milligram per kelvin |
| F17 | pound-force per foot |
| F18 | kilogram square centimetre |
| F19 | kilogram square millimetre |
| F20 | pound inch squared |
| F21 | pound-force inch |
| F22 | pound-force foot per ampere |
| F23 | gram per cubic decimetre |
| F24 | kilogram per kilomole |
| F25 | gram per hertz |
| F26 | gram per day |
| F27 | gram per hour |
| F28 | gram per minute |
| F29 | gram per second |
| F30 | kilogram per day |
| F31 | kilogram per minute |
| F32 | milligram per day |
| F33 | milligram per minute |
| F34 | milligram per second |
| F35 | gram per day kelvin |
| F36 | gram per hour kelvin |
| F37 | gram per minute kelvin |
| F38 | gram per second kelvin |

Used Codes

| | |
|-----|---|
| F39 | kilogram per day kelvin |
| F40 | kilogram per hour kelvin |
| F41 | kilogram per minute kelvin |
| F42 | kilogram per second kelvin |
| F43 | milligram per day kelvin |
| F44 | milligram per hour kelvin |
| F45 | milligram per minute kelvin |
| F46 | milligram per second kelvin |
| F47 | newton per millimetre |
| F48 | pound-force per inch |
| F49 | rod [unit of distance] A unit of distance equal to 5.5 yards (16 feet 6 inches). |
| F50 | micrometre per kelvin |
| F51 | centimetre per kelvin |
| F52 | metre per kelvin |
| F53 | millimetre per kelvin |
| F54 | milliohm per metre |
| F55 | ohm per mile (statute mile) |
| F56 | ohm per kilometre |
| F57 | milliampere per pound-force per square inch |
| F58 | reciprocal bar |
| F59 | milliampere per bar |
| F60 | degree Celsius per bar |
| F61 | kelvin per bar |
| F62 | gram per day bar |
| F63 | gram per hour bar |
| F64 | gram per minute bar |
| F65 | gram per second bar |
| F66 | kilogram per day bar |
| F67 | kilogram per hour bar |
| F68 | kilogram per minute bar |
| F69 | kilogram per second bar |
| F70 | milligram per day bar |

Used Codes

| | |
|-----|--|
| F71 | milligram per hour bar |
| F72 | milligram per minute bar |
| F73 | milligram per second bar |
| F74 | gram per bar |
| F75 | milligram per bar |
| F76 | milliampere per millimetre |
| F77 | pascal second per kelvin |
| F78 | inch of water |
| F79 | inch of mercury |
| F80 | water horse power A unit of power defining the amount of power required to move a given volume of water against acceleration of gravity to a specified elevation (pressure head). |
| F81 | bar per kelvin |
| F82 | hectopascal per kelvin |
| F83 | kilopascal per kelvin |
| F84 | millibar per kelvin |
| F85 | megapascal per kelvin |
| F86 | poise per kelvin |
| F87 | volt per litre minute |
| F88 | newton centimetre |
| F89 | newton metre per degree |
| F90 | newton metre per ampere |
| F91 | bar litre per second |
| F92 | bar cubic metre per second |
| F93 | hectopascal litre per second |
| F94 | hectopascal cubic metre per second |
| F95 | millibar litre per second |
| F96 | millibar cubic metre per second |
| F97 | megapascal litre per second |
| F98 | megapascal cubic metre per second |
| F99 | pascal litre per second |
| FAH | degree Fahrenheit Refer ISO 80000-5 (Quantities and units — Part 5: Thermodynamics) |

Used Codes

| | |
|-----|---|
| FAR | farad |
| FBM | fibre metre A unit of length defining the number of metres of individual fibre. |
| FC | thousand cubic foot A unit of volume equal to one thousand cubic foot. |
| FF | hundred cubic metre A unit of volume equal to one hundred cubic metres. |
| FH | micromole |
| FIT | failures in time A unit of count defining the number of failures that can be expected over a specified time interval. Failure rates of semiconductor components are often specified as FIT (failures in time unit) where 1 FIT = 10 to the power of -9 /h. |
| FL | flake ton A unit of mass defining the number of tons of a flaked substance (flake: a small flattish fragment). |
| FNU | Formazin nephelometric unit Formazin nephelometric unit (FNU) is used for water turbidity level evaluation |
| FOT | foot |
| FP | pound per square foot |
| FR | foot per minute |
| FS | foot per second |
| FTK | square foot |
| FTQ | cubic foot |
| G01 | pascal cubic metre per second |
| G04 | centimetre per bar |
| G05 | metre per bar |
| G06 | millimetre per bar |
| G08 | square inch per second |
| G09 | square metre per second kelvin |
| G10 | stokes per kelvin |
| G11 | gram per cubic centimetre bar |
| G12 | gram per cubic decimetre bar |
| G13 | gram per litre bar |
| G14 | gram per cubic metre bar |
| G15 | gram per millilitre bar |

Used Codes

| | |
|-----|--------------------------------------|
| G16 | kilogram per cubic centimetre bar |
| G17 | kilogram per litre bar |
| G18 | kilogram per cubic metre bar |
| G19 | newton metre per kilogram |
| G2 | US gallon per minute |
| G20 | pound-force foot per pound |
| G21 | cup [unit of volume] |
| G23 | peck |
| G24 | tablespoon (US) |
| G25 | teaspoon (US) |
| G26 | stere |
| G27 | cubic centimetre per kelvin |
| G28 | litre per kelvin |
| G29 | cubic metre per kelvin |
| G3 | Imperial gallon per minute |
| G30 | millilitre per kelvin |
| G31 | kilogram per cubic centimetre |
| G32 | ounce (avoirdupois) per cubic yard |
| G33 | gram per cubic centimetre kelvin |
| G34 | gram per cubic decimetre kelvin |
| G35 | gram per litre kelvin |
| G36 | gram per cubic metre kelvin |
| G37 | gram per millilitre kelvin |
| G38 | kilogram per cubic centimetre kelvin |
| G39 | kilogram per litre kelvin |
| G40 | kilogram per cubic metre kelvin |
| G41 | square metre per second bar |
| G42 | microsiemens per centimetre |
| G43 | microsiemens per metre |
| G44 | nanosiemens per centimetre |
| G45 | nanosiemens per metre |
| G46 | stokes per bar |
| G47 | cubic centimetre per day |

Used Codes

| | |
|-----|------------------------------------|
| G48 | cubic centimetre per hour |
| G49 | cubic centimetre per minute |
| G50 | gallon (US) per hour |
| G51 | litre per second |
| G52 | cubic metre per day |
| G53 | cubic metre per minute |
| G54 | millilitre per day |
| G55 | millilitre per hour |
| G56 | cubic inch per hour |
| G57 | cubic inch per minute |
| G58 | cubic inch per second |
| G59 | milliampere per litre minute |
| G60 | volt per bar |
| G61 | cubic centimetre per day kelvin |
| G62 | cubic centimetre per hour kelvin |
| G63 | cubic centimetre per minute kelvin |
| G64 | cubic centimetre per second kelvin |
| G65 | litre per day kelvin |
| G66 | litre per hour kelvin |
| G67 | litre per minute kelvin |
| G68 | litre per second kelvin |
| G69 | cubic metre per day kelvin |
| G70 | cubic metre per hour kelvin |
| G71 | cubic metre per minute kelvin |
| G72 | cubic metre per second kelvin |
| G73 | millilitre per day kelvin |
| G74 | millilitre per hour kelvin |
| G75 | millilitre per minute kelvin |
| G76 | millilitre per second kelvin |
| G77 | millimetre to the fourth power |
| G78 | cubic centimetre per day bar |
| G79 | cubic centimetre per hour bar |
| G80 | cubic centimetre per minute bar |

Used Codes

| | |
|-----|---|
| G81 | cubic centimetre per second bar |
| G82 | litre per day bar |
| G83 | litre per hour bar |
| G84 | litre per minute bar |
| G85 | litre per second bar |
| G86 | cubic metre per day bar |
| G87 | cubic metre per hour bar |
| G88 | cubic metre per minute bar |
| G89 | cubic metre per second bar |
| G90 | millilitre per day bar |
| G91 | millilitre per hour bar |
| G92 | millilitre per minute bar |
| G93 | millilitre per second bar |
| G94 | cubic centimetre per bar |
| G95 | litre per bar |
| G96 | cubic metre per bar |
| G97 | millilitre per bar |
| G98 | microhenry per kilohm |
| G99 | microhenry per ohm |
| GB | gallon (US) per day |
| GBQ | gigabecquerel |
| GDW | gram, dry weight A unit of mass defining the number of grams of a product, disregarding the water content of the product. |
| GE | pound per gallon (US) |
| GF | gram per metre (gram per 100 centimetres) |
| GFI | gram of fissile isotope A unit of mass defining the number of grams of a fissile isotope (fissile isotope: an isotope whose nucleus is able to be split when irradiated with low energy neutrons). |
| GGR | great gross A unit of count defining the number of units in multiples of 1728 (12 x 12 x 12). |
| GIA | gill (US) |

Used Codes

| | |
|-----|---|
| GIC | gram, including container A unit of mass defining the number of grams of a product, including its container. |
| GII | gill (UK) |
| GIP | gram, including inner packaging A unit of mass defining the number of grams of a product, including its inner packaging materials. |
| GJ | gram per millilitre |
| GL | gram per litre |
| GLD | dry gallon (US) |
| GLI | gallon (UK) |
| GLL | gallon (US) |
| GM | gram per square metre |
| GO | milligram per square metre |
| GP | milligram per cubic metre |
| GQ | microgram per cubic metre |
| GRM | gram |
| GRN | grain |
| GRO | gross A unit of count defining the number of units in multiples of 144 (12 x 12). |
| GRT | gross register ton A unit of mass equal to the total cubic footage before deductions, where 1 register ton is equal to 100 cubic feet. Refer International Convention on tonnage measurement of ships. |
| GT | gross ton A unit of mass equal to 2240 pounds. Refer International Convention on Tonnage measurement of Ships. Synonym: ton (UK) or long ton (US) (common code LTN) |
| GV | gigajoule |
| GWH | gigawatt hour |
| H03 | henry per kiloohm |
| H04 | henry per ohm |
| H05 | millihenry per kiloohm |
| H06 | millihenry per ohm |
| H07 | pascal second per bar |
| H08 | microbecquerel |

Used Codes

| | |
|-----|--|
| H09 | reciprocal year |
| H10 | reciprocal hour |
| H11 | reciprocal month |
| H12 | degree Celsius per hour |
| H13 | degree Celsius per minute |
| H14 | degree Celsius per second |
| H15 | square centimetre per gram |
| H16 | square decametre Synonym: are |
| H18 | square hectometre Synonym: hectare |
| H19 | cubic hectometre |
| H20 | cubic kilometre |
| H21 | blank A unit of count defining the number of blanks. |
| H22 | volt square inch per pound-force |
| H23 | volt per inch |
| H24 | volt per microsecond |
| H25 | percent per kelvin A unit of proportion, equal to 0.01, in relation to the SI base unit Kelvin. |
| H26 | ohm per metre |
| H27 | degree per metre |
| H28 | microfarad per kilometre |
| H29 | microgram per litre |
| H30 | square micrometre (square micron) |
| H31 | ampere per kilogram |
| H32 | ampere squared second |
| H33 | farad per kilometre |
| H34 | hertz metre |
| H35 | kelvin metre per watt |
| H36 | megaohm per kilometre |
| H37 | megaohm per metre |
| H38 | megaampere |
| H39 | megahertz kilometre |

Used Codes

| | |
|-----|---|
| H40 | newton per ampere |
| H41 | newton metre watt to the power minus 0,5 |
| H42 | pascal per metre |
| H43 | siemens per centimetre |
| H44 | teraohm |
| H45 | volt second per metre |
| H46 | volt per second |
| H47 | watt per cubic metre |
| H48 | attofarad |
| H49 | centimetre per hour |
| H50 | reciprocal cubic centimetre |
| H51 | decibel per kilometre |
| H52 | decibel per metre |
| H53 | kilogram per bar |
| H54 | kilogram per cubic decimetre kelvin |
| H55 | kilogram per cubic decimetre bar |
| H56 | kilogram per square metre second |
| H57 | inch per two pi radiant |
| H58 | metre per volt second |
| H59 | square metre per newton |
| H60 | cubic metre per cubic metre |
| H61 | millisiemens per centimetre |
| H62 | millivolt per minute |
| H63 | milligram per square centimetre |
| H64 | milligram per gram |
| H65 | millilitre per cubic metre |
| H66 | millimetre per year |
| H67 | millimetre per hour |
| H68 | millimole per gram |
| H69 | picopascal per kilometre |
| H70 | picosecond |
| H71 | percent per month A unit of proportion, equal to 0.01, in relation to a month. |

Used Codes

| | |
|-----|--|
| H72 | percent per hectobar A unit of proportion, equal to 0.01, in relation to 100-fold of the unit bar. |
| H73 | percent per decakelvin A unit of proportion, equal to 0.01, in relation to 10-fold of the SI base unit Kelvin. |
| H74 | watt per metre |
| H75 | decapascal |
| H76 | gram per millimetre |
| H77 | module width A unit of measure used to describe the breadth of electronic assemblies as an installation standard or mounting dimension. |
| H78 | conventional centimetre of water |
| H79 | Charrière A unit of distance used for measuring the diameter of small tubes such as urological instruments and catheters. Synonym: French, French gauge, Charrière gauge |
| H80 | rack unit A unit of measure used to describe the height in rack units of equipment intended for mounting in a 19-inch rack or a 23-inch rack. One rack unit is 1.75 inches (44.45 mm) high. |
| H81 | millimetre per minute |
| H82 | big point A unit of length defining the number of big points (big point: Adobe software(US) defines the big point to be exactly 1/72 inch (0.013 888 9 inch or 0.352 777 8 millimeters)) |
| H83 | litre per kilogram |
| H84 | gram millimetre |
| H85 | reciprocal week |
| H87 | piece A unit of count defining the number of pieces (piece: a single item, article or exemplar). |
| H88 | megaohm kilometre |
| H89 | percent per ohm A unit of proportion, equal to 0.01, in relation to the SI derived unit ohm. |
| H90 | percent per degree A unit of proportion, equal to 0.01, in relation to an angle of one degree. |
| H91 | percent per ten thousand A unit of proportion, equal to 0.01, in relation to multiples of ten thousand. |

Used Codes

| | |
|-----|--|
| H92 | percent per one hundred thousand A unit of proportion, equal to 0.01, in relation to multiples of one hundred thousand. |
| H93 | percent per hundred A unit of proportion, equal to 0.01, in relation to multiples of one hundred. |
| H94 | percent per thousand A unit of proportion, equal to 0.01, in relation to multiples of one thousand. |
| H95 | percent per volt A unit of proportion, equal to 0.01, in relation to the SI derived unit volt. |
| H96 | percent per bar A unit of proportion, equal to 0.01, in relation to an atmospheric pressure of one bar. |
| H98 | percent per inch A unit of proportion, equal to 0.01, in relation to an inch. |
| H99 | percent per metre A unit of proportion, equal to 0.01, in relation to a metre. |
| HA | hank A unit of length, typically for yarn. |
| HAD | Piece Day Unit for measuring the item amount and time as required by DIN 18451 |
| HAR | hectare Synonym: square hectometre |
| HBA | hectobar |
| HBX | hundred boxes A unit of count defining the number of boxes in multiples of one hundred box units. |
| HC | hundred count A unit of count defining the number of units counted in multiples of 100. |
| HDW | hundred kilogram, dry weight A unit of mass defining the number of hundred kilograms of a product, disregarding the water content of the product. |
| HEA | head A unit of count defining the number of heads (head: a person or animal considered as one of a number). |
| HGM | hectogram |
| HH | hundred cubic foot A unit of volume equal to one hundred cubic foot. |

Used Codes

| | |
|-----|---|
| HIU | hundred international unit A unit of count defining the number of international units in multiples of 100. |
| HJ | metric horse power |
| HKM | hundred kilogram, net mass A unit of mass defining the number of hundred kilograms of a product, after deductions. |
| HLT | hectolitre |
| HM | mile per hour (statute mile) |
| HMO | Piece Month Unit for measuring the item amount and time as required by DIN 18451 |
| HMQ | million cubic metre A unit of volume equal to one million cubic metres. |
| HMT | hectometre |
| HN | conventional millimetre of mercury |
| HP | conventional millimetre of water |
| HPA | hectolitre of pure alcohol A unit of volume equal to one hundred litres of pure alcohol. |
| HTZ | hertz |
| HUR | hour |
| HWE | Piece Week Unit for measuring the item amount and time as required by DIN 18451 |
| IA | inch pound (pound inch) |
| IE | person A unit of count defining the number of persons. |
| INH | inch |
| INK | square inch |
| INQ | cubic inch Synonym: inch cubed |
| ISD | international sugar degree A unit of measure defining the sugar content of a solution, expressed in degrees. |
| IU | inch per second |
| IV | inch per second squared |
| J10 | percent per millimetre A unit of proportion, equal to 0.01, in relation to a millimetre. |

Used Codes

| | |
|-----|--|
| J12 | per mille per psi A unit of pressure equal to one thousandth of a psi (pound-force per square inch). |
| J13 | degree API A unit of relative density as a measure of how heavy or light a petroleum liquid is compared to water (API: American Petroleum Institute). |
| J14 | degree Baume (origin scale) A traditional unit of relative density for liquids. Named after Antoine Baumé. |
| J15 | degree Baume (US heavy) A unit of relative density for liquids heavier than water. |
| J16 | degree Baume (US light) A unit of relative density for liquids lighter than water. |
| J17 | degree Balling A unit of density as a measure of sugar content, especially of beer wort. Named after Karl Balling. |
| J18 | degree Brix A unit of proportion used in measuring the dissolved sugar-to-water mass ratio of a liquid. Named after Adolf Brix. |
| J19 | degree Fahrenheit hour square foot per British thermal unit (thermochemical) |
| J2 | joule per kilogram |
| J20 | degree Fahrenheit per kelvin |
| J21 | degree Fahrenheit per bar |
| J22 | degree Fahrenheit hour square foot per British thermal unit (international table) |
| J23 | degree Fahrenheit per hour |
| J24 | degree Fahrenheit per minute |
| J25 | degree Fahrenheit per second |
| J26 | reciprocal degree Fahrenheit |
| J27 | degree Oechsle A unit of density as a measure of sugar content of must, the unfermented liqueur from which wine is made. Named after Ferdinand Oechsle. |
| J28 | degree Rankine per hour |
| J29 | degree Rankine per minute |
| J30 | degree Rankine per second |
| J31 | degree Twaddell A unit of density for liquids that are heavier than water. 1 degree Twaddle represents a difference in specific gravity of 0.005. |
| J32 | micropoise |

Used Codes

| | |
|-----|--|
| J33 | microgram per kilogram |
| J34 | microgram per cubic metre kelvin |
| J35 | microgram per cubic metre bar |
| J36 | microlitre per litre |
| J38 | baud A unit of signal transmission speed equal to one signalling event per second. |
| J39 | British thermal unit (mean) |
| J40 | British thermal unit (international table) foot per hour square foot degree Fahrenheit |
| J41 | British thermal unit (international table) inch per hour square foot degree Fahrenheit |
| J42 | British thermal unit (international table) inch per second square foot degree Fahrenheit |
| J43 | British thermal unit (international table) per pound degree Fahrenheit |
| J44 | British thermal unit (international table) per minute |
| J45 | British thermal unit (international table) per second |
| J46 | British thermal unit (thermochemical) foot per hour square foot degree Fahrenheit |
| J47 | British thermal unit (thermochemical) per hour |
| J48 | British thermal unit (thermochemical) inch per hour square foot degree Fahrenheit |
| J49 | British thermal unit (thermochemical) inch per second square foot degree Fahrenheit |
| J50 | British thermal unit (thermochemical) per pound degree Fahrenheit |
| J51 | British thermal unit (thermochemical) per minute |
| J52 | British thermal unit (thermochemical) per second |
| J53 | coulomb square metre per kilogram |
| J54 | megabaud A unit of signal transmission speed equal to 10 to the power of 6 (1000000) signaling events per second. |
| J55 | watt second |
| J56 | bar per bar |
| J57 | barrel (UK petroleum) |
| J58 | barrel (UK petroleum) per minute |
| J59 | barrel (UK petroleum) per day |
| J60 | barrel (UK petroleum) per hour |

Used Codes

| | |
|-----|---|
| J61 | barrel (UK petroleum) per second |
| J62 | barrel (US petroleum) per hour |
| J63 | barrel (US petroleum) per second |
| J64 | bushel (UK) per day |
| J65 | bushel (UK) per hour |
| J66 | bushel (UK) per minute |
| J67 | bushel (UK) per second |
| J68 | bushel (US dry) per day |
| J69 | bushel (US dry) per hour |
| J70 | bushel (US dry) per minute |
| J71 | bushel (US dry) per second |
| J72 | centinewton metre |
| J73 | centipoise per kelvin |
| J74 | centipoise per bar |
| J75 | calorie (mean) |
| J76 | calorie (international table) per gram degree Celsius |
| J78 | calorie (thermochemical) per centimetre second degree Celsius |
| J79 | calorie (thermochemical) per gram degree Celsius |
| J81 | calorie (thermochemical) per minute |
| J82 | calorie (thermochemical) per second |
| J83 | clo |
| J84 | centimetre per second kelvin |
| J85 | centimetre per second bar |
| J87 | cubic centimetre per cubic metre |
| J89 | centimetre of mercury |
| J90 | cubic decimetre per day |
| J91 | cubic decimetre per cubic metre |
| J92 | cubic decimetre per minute |
| J93 | cubic decimetre per second |
| J94 | dyne centimetre |
| J95 | ounce (UK fluid) per day |
| J96 | ounce (UK fluid) per hour |
| J97 | ounce (UK fluid) per minute |

Used Codes

| | |
|-----|---|
| J98 | ounce (UK fluid) per second |
| J99 | ounce (US fluid) per day |
| JE | joule per kelvin |
| JK | megajoule per kilogram |
| JM | megajoule per cubic metre |
| JNT | pipeline joint A count of the number of pipeline joints. |
| JOU | joule |
| JPS | hundred metre A unit of count defining the number of 100 metre lengths. |
| JWL | number of jewels A unit of count defining the number of jewels (jewel: precious stone). |
| K1 | kilowatt demand A unit of measure defining the power load measured at predetermined intervals. |
| K10 | ounce (US fluid) per hour |
| K11 | ounce (US fluid) per minute |
| K12 | ounce (US fluid) per second |
| K13 | foot per degree Fahrenheit |
| K14 | foot per hour |
| K15 | foot pound-force per hour |
| K16 | foot pound-force per minute |
| K17 | foot per psi |
| K18 | foot per second degree Fahrenheit |
| K19 | foot per second psi |
| K2 | kilovolt ampere reactive demand A unit of measure defining the reactive power demand equal to one kilovolt ampere of reactive power. |
| K20 | reciprocal cubic foot |
| K21 | cubic foot per degree Fahrenheit |
| K22 | cubic foot per day |
| K23 | cubic foot per psi |
| K24 | foot of water |
| K25 | foot of mercury |
| K26 | gallon (UK) per day |

Used Codes

| | |
|-----|--|
| K27 | gallon (UK) per hour |
| K28 | gallon (UK) per second |
| K3 | kilovolt ampere reactive hour A unit of measure defining the accumulated reactive energy equal to one kilovolt ampere of reactive power per hour. |
| K30 | gallon (US liquid) per second |
| K31 | gram-force per square centimetre |
| K32 | gill (UK) per day |
| K33 | gill (UK) per hour |
| K34 | gill (UK) per minute |
| K35 | gill (UK) per second |
| K36 | gill (US) per day |
| K37 | gill (US) per hour |
| K38 | gill (US) per minute |
| K39 | gill (US) per second |
| K40 | standard acceleration of free fall |
| K41 | grain per gallon (US) |
| K42 | horsepower (boiler) |
| K43 | horsepower (electric) |
| K45 | inch per degree Fahrenheit |
| K46 | inch per psi |
| K47 | inch per second degree Fahrenheit |
| K48 | inch per second psi |
| K49 | reciprocal cubic inch |
| K5 | kilovolt ampere (reactive) Use kilovar (common code KVR) |
| K50 | kilobaud A unit of signal transmission speed equal to 10 to the power of 3 (1000) signaling events per second. |
| K51 | kilocalorie (mean) |
| K52 | kilocalorie (international table) per hour metre degree Celsius |
| K53 | kilocalorie (thermochemical) |
| K54 | kilocalorie (thermochemical) per minute |
| K55 | kilocalorie (thermochemical) per second |
| K58 | kilomole per hour |

Used Codes

| | |
|-----|--|
| K59 | kilomole per cubic metre kelvin |
| K6 | kilolitre |
| K60 | kilomole per cubic metre bar |
| K61 | kilomole per minute |
| K62 | litre per litre |
| K63 | reciprocal litre |
| K64 | pound (avoirdupois) per degree Fahrenheit |
| K65 | pound (avoirdupois) square foot |
| K66 | pound (avoirdupois) per day |
| K67 | pound per foot hour |
| K68 | pound per foot second |
| K69 | pound (avoirdupois) per cubic foot degree Fahrenheit |
| K70 | pound (avoirdupois) per cubic foot psi |
| K71 | pound (avoirdupois) per gallon (UK) |
| K73 | pound (avoirdupois) per hour degree Fahrenheit |
| K74 | pound (avoirdupois) per hour psi |
| K75 | pound (avoirdupois) per cubic inch degree Fahrenheit |
| K76 | pound (avoirdupois) per cubic inch psi |
| K77 | pound (avoirdupois) per psi |
| K78 | pound (avoirdupois) per minute |
| K79 | pound (avoirdupois) per minute degree Fahrenheit |
| K80 | pound (avoirdupois) per minute psi |
| K81 | pound (avoirdupois) per second |
| K82 | pound (avoirdupois) per second degree Fahrenheit |
| K83 | pound (avoirdupois) per second psi |
| K84 | pound per cubic yard |
| K85 | pound-force per square foot |
| K86 | pound-force per square inch degree Fahrenheit |
| K87 | psi cubic inch per second |
| K88 | psi litre per second |
| K89 | psi cubic metre per second |
| K90 | psi cubic yard per second |
| K91 | pound-force second per square foot |

Used Codes

| | |
|-----|--|
| K92 | pound-force second per square inch |
| K93 | reciprocal psi |
| K94 | quart (UK liquid) per day |
| K95 | quart (UK liquid) per hour |
| K96 | quart (UK liquid) per minute |
| K97 | quart (UK liquid) per second |
| K98 | quart (US liquid) per day |
| K99 | quart (US liquid) per hour |
| KA | cake A unit of count defining the number of cakes (cake: object shaped into a flat, compact mass). |
| KAT | katal A unit of catalytic activity defining the catalytic activity of enzymes and other catalysts. |
| KB | kilocharacter A unit of information equal to 10 to the power of 3 (1000) characters. |
| KBA | kilobar |
| KCC | kilogram of choline chloride A unit of mass equal to one thousand grams of choline chloride. |
| KDW | kilogram drained net weight A unit of mass defining the net number of kilograms of a product, disregarding the liquid content of the product. |
| KEL | kelvin Refer ISO 80000-5 (Quantities and units — Part 5: Thermodynamics) |
| KGM | kilogram A unit of mass equal to one thousand grams. |
| KGS | kilogram per second |
| KHY | kilogram of hydrogen peroxide A unit of mass equal to one thousand grams of hydrogen peroxide. |
| KHZ | kilohertz |
| KI | kilogram per millimetre width |
| KIC | kilogram, including container A unit of mass defining the number of kilograms of a product, including its container. |
| KIP | kilogram, including inner packaging A unit of mass defining the number of kilograms of a product, including its inner packaging materials. |

Used Codes

| | |
|-----|--|
| KJ | kilosegment A unit of information equal to 10 to the power of 3 (1000) segments. |
| KJO | kilojoule |
| KL | kilogram per metre |
| KLK | lactic dry material percentage A unit of proportion defining the percentage of dry lactic material in a product. |
| KLX | kilolux A unit of illuminance equal to one thousand lux. |
| KMA | kilogram of methylamine A unit of mass equal to one thousand grams of methylamine. |
| KMH | kilometre per hour |
| KMK | square kilometre |
| KMQ | kilogram per cubic metre A unit of weight expressed in kilograms of a substance that fills a volume of one cubic metre. |
| KMT | kilometre |
| KNI | kilogram of nitrogen A unit of mass equal to one thousand grams of nitrogen. |
| KNM | kilonewton per square metre Pressure expressed in kN/m ² . |
| KNS | kilogram named substance A unit of mass equal to one kilogram of a named substance. |
| KNT | knot |
| KO | milliequivalence caustic potash per gram of product A unit of count defining the number of milligrams of potassium hydroxide per gram of product as a measure of the concentration of potassium hydroxide in the product. |
| KPA | kilopascal |
| KPH | kilogram of potassium hydroxide (caustic potash) A unit of mass equal to one thousand grams of potassium hydroxide (caustic potash). |
| KPO | kilogram of potassium oxide A unit of mass equal to one thousand grams of potassium oxide. |
| KPP | kilogram of phosphorus pentoxide (phosphoric anhydride) A unit of mass equal to one thousand grams of phosphorus pentoxide phosphoric anhydride. |
| KR | kiloroentgen |

Used Codes

| | |
|-----|---|
| KSD | kilogram of substance 90 % dry A unit of mass equal to one thousand grams of a named substance that is 90% dry. |
| KSH | kilogram of sodium hydroxide (caustic soda) A unit of mass equal to one thousand grams of sodium hydroxide (caustic soda). |
| KT | kit A unit of count defining the number of kits (kit: tub, barrel or pail). |
| KTN | kilotonne |
| KUR | kilogram of uranium A unit of mass equal to one thousand grams of uranium. |
| KVA | kilovolt - ampere |
| KVR | kilovar |
| KVT | kilovolt |
| KW | kilogram per millimetre |
| KWH | kilowatt hour |
| KWN | Kilowatt hour per normalized cubic metre Kilowatt hour per normalized cubic metre (temperature 0°C and pressure 1013.25 millibars). |
| KWO | kilogram of tungsten trioxide A unit of mass equal to one thousand grams of tungsten trioxide. |
| KWS | Kilowatt hour per standard cubic metre Kilowatt hour per standard cubic metre (temperature 15°C and pressure 1013.25 millibars). |
| KWT | kilowatt |
| KWY | kilowatt year killowatt year |
| KX | millilitre per kilogram |
| L10 | quart (US liquid) per minute |
| L11 | quart (US liquid) per second |
| L12 | metre per second kelvin |
| L13 | metre per second bar |
| L14 | square metre hour degree Celsius per kilocalorie (international table) |
| L15 | millipascal second per kelvin |
| L16 | millipascal second per bar |
| L17 | milligram per cubic metre kelvin |

Used Codes

| | |
|-----|-------------------------------------|
| L18 | milligram per cubic metre bar |
| L19 | millilitre per litre |
| L2 | litre per minute |
| L20 | reciprocal cubic millimetre |
| L21 | cubic millimetre per cubic metre |
| L23 | mole per hour |
| L24 | mole per kilogram kelvin |
| L25 | mole per kilogram bar |
| L26 | mole per litre kelvin |
| L27 | mole per litre bar |
| L28 | mole per cubic metre kelvin |
| L29 | mole per cubic metre bar |
| L30 | mole per minute |
| L31 | milliroentgen aequivalent men |
| L32 | nanogram per kilogram |
| L33 | ounce (avoirdupois) per day |
| L34 | ounce (avoirdupois) per hour |
| L35 | ounce (avoirdupois) per minute |
| L36 | ounce (avoirdupois) per second |
| L37 | ounce (avoirdupois) per gallon (UK) |
| L38 | ounce (avoirdupois) per gallon (US) |
| L39 | ounce (avoirdupois) per cubic inch |
| L40 | ounce (avoirdupois)-force |
| L41 | ounce (avoirdupois)-force inch |
| L42 | picosiemens per metre |
| L43 | peck (UK) |
| L44 | peck (UK) per day |
| L45 | peck (UK) per hour |
| L46 | peck (UK) per minute |
| L47 | peck (UK) per second |
| L48 | peck (US dry) per day |
| L49 | peck (US dry) per hour |
| L50 | peck (US dry) per minute |

Used Codes

| | |
|-----|------------------------------|
| L51 | peck (US dry) per second |
| L52 | psi per psi |
| L53 | pint (UK) per day |
| L54 | pint (UK) per hour |
| L55 | pint (UK) per minute |
| L56 | pint (UK) per second |
| L57 | pint (US liquid) per day |
| L58 | pint (US liquid) per hour |
| L59 | pint (US liquid) per minute |
| L60 | pint (US liquid) per second |
| L63 | slug per day |
| L64 | slug per foot second |
| L65 | slug per cubic foot |
| L66 | slug per hour |
| L67 | slug per minute |
| L68 | slug per second |
| L69 | tonne per kelvin |
| L70 | tonne per bar |
| L71 | tonne per day |
| L72 | tonne per day kelvin |
| L73 | tonne per day bar |
| L74 | tonne per hour kelvin |
| L75 | tonne per hour bar |
| L76 | tonne per cubic metre kelvin |
| L77 | tonne per cubic metre bar |
| L78 | tonne per minute |
| L79 | tonne per minute kelvin |
| L80 | tonne per minute bar |
| L81 | tonne per second |
| L82 | tonne per second kelvin |
| L83 | tonne per second bar |
| L84 | ton (UK shipping) |
| L85 | ton long per day |

Used Codes

| | |
|-----|--|
| L86 | ton (US shipping) |
| L87 | ton short per degree Fahrenheit |
| L88 | ton short per day |
| L89 | ton short per hour degree Fahrenheit |
| L90 | ton short per hour psi |
| L91 | ton short per psi |
| L92 | ton (UK long) per cubic yard |
| L93 | ton (US short) per cubic yard |
| L94 | ton-force (US short) |
| L95 | common year |
| L96 | sidereal year |
| L98 | yard per degree Fahrenheit |
| L99 | yard per psi |
| LA | pound per cubic inch |
| LAC | lactose excess percentage A unit of proportion defining the percentage of lactose in a product that exceeds a defined percentage level. |
| LBR | pound |
| LBT | troy pound (US) |
| LD | litre per day |
| LEF | leaf A unit of count defining the number of leaves. |
| LF | linear foot A unit of count defining the number of feet (12-inch) in length of a uniform width object. |
| LH | labour hour A unit of time defining the number of labour hours. |
| LK | link A unit of distance equal to 0.01 chain. |
| LM | linear metre A unit of count defining the number of metres in length of a uniform width object. |
| LN | length A unit of distance defining the linear extent of an item measured from end to end. |

Used Codes

| | |
|-----|---|
| LO | lot [unit of procurement] A unit of count defining the number of lots (lot: a collection of associated items). |
| LP | liquid pound A unit of mass defining the number of pounds of a liquid substance. |
| LPA | litre of pure alcohol A unit of volume equal to one litre of pure alcohol. |
| LR | layer A unit of count defining the number of layers. |
| LS | lump sum A unit of count defining the number of whole or a complete monetary amounts. |
| LTN | ton (UK) or long ton (US) Synonym: gross ton (2240 lb) |
| LTR | litre |
| LUB | metric ton, lubricating oil A unit of mass defining the number of metric tons of lubricating oil. |
| LUM | lumen |
| LUX | lux |
| LY | linear yard A unit of count defining the number of 36-inch units in length of a uniform width object. |
| M1 | milligram per litre |
| M10 | reciprocal cubic yard |
| M11 | cubic yard per degree Fahrenheit |
| M12 | cubic yard per day |
| M13 | cubic yard per hour |
| M14 | cubic yard per psi |
| M15 | cubic yard per minute |
| M16 | cubic yard per second |
| M17 | kilohertz metre |
| M18 | gigahertz metre |
| M19 | Beaufort An empirical measure for describing wind speed based mainly on observed sea conditions. The Beaufort scale indicates the wind speed by numbers that typically range from 0 for calm, to 12 for hurricane. |
| M20 | reciprocal megakelvin or megakelvin to the power minus one |

Used Codes

| | |
|-----|---|
| M21 | reciprocal kilovolt - ampere reciprocal hour |
| M22 | millilitre per square centimetre minute |
| M23 | newton per centimetre |
| M24 | ohm kilometre |
| M25 | percent per degree Celsius A unit of proportion, equal to 0.01, in relation to a temperature of one degree. |
| M26 | gigaohm per metre |
| M27 | megahertz metre |
| M29 | kilogram per kilogram |
| M30 | reciprocal volt - ampere reciprocal second |
| M31 | kilogram per kilometre |
| M32 | pascal second per litre |
| M33 | millimole per litre |
| M34 | newton metre per square metre |
| M35 | millivolt - ampere |
| M36 | 30-day month A unit of count defining the number of months expressed in multiples of 30 days, one day equals 24 hours. |
| M37 | actual/360 A unit of count defining the number of years expressed in multiples of 360 days, one day equals 24 hours. |
| M38 | kilometre per second squared 1000-fold of the SI base unit metre divided by the power of the SI base unit second by exponent 2. |
| M39 | centimetre per second squared 0,01-fold of the SI base unit metre divided by the power of the SI base unit second by exponent 2. |
| M4 | monetary value A unit of measure expressed as a monetary amount. |
| M40 | yard per second squared Unit of the length according to the Anglo-American and Imperial system of units divided by the power of the SI base unit second by exponent 2. |
| M41 | millimetre per second squared 0,001-fold of the SI base unit metre divided by the power of the SI base unit second by exponent 2. |
| M42 | mile (statute mile) per second squared Unit of the length according to the Imperial system of units divided by the power of the SI base unit second by exponent 2. |

Used Codes

| | |
|-----|---|
| M43 | mil Unit to indicate an angle at military zone, equal to the 6400th part of the full circle of the 360° or 2·p·rad. |
| M44 | revolution Unit to identify an angle of the full circle of 360° or 2·p·rad (Refer ISO/TC12 SI Guide). |
| M45 | degree [unit of angle] per second squared 360 part of a full circle divided by the power of the SI base unit second and the exponent 2. |
| M46 | revolution per minute Unit of the angular velocity. |
| M47 | circular mil Unit of an area, of which the size is given by a diameter of length of 1 mm (0,001 in) based on the formula: area = p·(diameter/2) ² . |
| M48 | square mile (based on U.S. survey foot) Unit of the area, which is mainly common in the agriculture and forestry. |
| M49 | chain (based on U.S. survey foot) Unit of the length according the Anglo-American system of units. |
| M5 | microcurie |
| M50 | furlong Unit commonly used in Great Britain at rural distances: 1 furlong = 40 rods = 10 chains (UK) = 1/8 mile = 1/10 furlong = 220 yards = 660 foot. |
| M51 | foot (U.S. survey) Unit commonly used in the United States for ordnance survey. |
| M52 | mile (based on U.S. survey foot) Unit commonly used in the United States for ordnance survey. |
| M53 | metre per pascal SI base unit metre divided by the derived SI unit pascal. |
| M55 | metre per radiant Unit of the translation factor for implementation from rotation to linear movement. |
| M56 | shake Unit for a very short period. |
| M57 | mile per minute Unit of velocity from the Imperial system of units. |
| M58 | mile per second Unit of the velocity from the Imperial system of units. |

Used Codes

| | |
|-----|---|
| M59 | metre per second pascal SI base unit meter divided by the product of SI base unit second and the derived SI unit pascal. |
| M60 | metre per hour SI base unit metre divided by the unit hour. |
| M61 | inch per year Unit of the length according to the Anglo-American and Imperial system of units divided by the unit common year with 365 days. |
| M62 | kilometre per second 1000-fold of the SI base unit metre divided by the SI base unit second. |
| M63 | inch per minute Unit inch according to the Anglo-American and Imperial system of units divided by the unit minute. |
| M64 | yard per second Unit yard according to the Anglo-American and Imperial system of units divided by the SI base unit second. |
| M65 | yard per minute Unit yard according to the Anglo-American and Imperial system of units divided by the unit minute. |
| M66 | yard per hour Unit yard according to the Anglo-American and Imperial system of units divided by the unit hour. |
| M67 | acre-foot (based on U.S. survey foot) Unit of the volume, which is used in the United States to measure/gauge the capacity of reservoirs. |
| M68 | cord (128 ft ³) Traditional unit of the volume of stacked firewood which has been measured with a cord. |
| M69 | cubic mile (UK statute) Unit of volume according to the Imperial system of units. |
| M7 | micro-inch |
| M70 | ton, register Traditional unit of the cargo capacity. |
| M71 | cubic metre per pascal Power of the SI base unit meter by exponent 3 divided by the derived SI base unit pascal. |
| M72 | bel Logarithmic relationship to base 10. |

Used Codes

| | |
|-----|---|
| M73 | kilogram per cubic metre pascal SI base unit kilogram divided by the product of the power of the SI base unit metre with exponent 3 and the derived SI unit pascal. |
| M74 | kilogram per pascal SI base unit kilogram divided by the derived SI unit pascal. |
| M75 | kilopound-force 1000-fold of the unit of the force pound-force (lbf) according to the Anglo-American system of units with the relationship. |
| M76 | poundal Non SI-conforming unit of the power, which corresponds to a mass of a pound multiplied with the acceleration of a foot per square second. |
| M77 | kilogram metre per second squared Product of the SI base unit kilogram and the SI base unit metre divided by the power of the SI base unit second by exponent 2. |
| M78 | pond 0,001-fold of the unit of the weight, defined as a mass of 1 kg which finds out about a weight strength from 1 kp by the gravitational force at sea level which corresponds to a strength of 9,806 65 newton. |
| M79 | square foot per hour Power of the unit foot according to the Anglo-American and Imperial system of units by exponent 2 divided by the unit of time hour. |
| M80 | stokes per pascal CGS (Centimetre-Gram-Second system) unit stokes divided by the derived SI unit pascal. |
| M81 | square centimetre per second 0,000 1-fold of the power of the SI base unit metre by exponent 2 divided by the SI base unit second. |
| M82 | square metre per second pascal Power of the SI base unit metre with the exponent 2 divided by the SI base unit second and the derived SI unit pascal. |
| M83 | denier Traditional unit for the indication of the linear mass of textile fibers and yarns. |
| M84 | pound per yard Unit for linear mass according to avoirdupois system of units. |
| M85 | ton, assay Non SI-conforming unit of the mass used in the mineralogy to determine the concentration of precious metals in ore according to the mass of the precious metal in milligrams in a sample of the mass of an assay sound (number of troy ounces in a short ton (1 000 lb)). |
| M86 | pfund Outdated unit of the mass used in Germany. |

Used Codes

| | |
|-----|---|
| M87 | kilogram per second pascal SI base unit kilogram divided by the product of the SI base unit second and the derived SI unit pascal. |
| M88 | tonne per month Unit tonne divided by the unit month. |
| M89 | tonne per year Unit tonne divided by the unit year with 365 days. |
| M9 | million Btu per 1000 cubic foot |
| M90 | kilopound per hour 1000-fold of the unit of the mass avoirdupois pound according to the avoirdupois unit system divided by the unit hour. |
| M91 | pound per pound Proportion of the mass consisting of the avoirdupois pound according to the avoirdupois unit system divided by the avoirdupois pound according to the avoirdupois unit system. |
| M92 | pound-force foot Product of the unit pound-force according to the Anglo-American system of units and the unit foot according to the Anglo-American and the Imperial system of units. |
| M93 | newton metre per radian Product of the derived SI unit newton and the SI base unit metre divided by the unit radian. |
| M94 | kilogram metre Unit of imbalance as a product of the SI base unit kilogram and the SI base unit metre. |
| M95 | poundal foot Product of the non SI-conforming unit of the force poundal and the unit foot according to the Anglo-American and Imperial system of units . |
| M96 | poundal inch Product of the non SI-conforming unit of the force poundal and the unit inch according to the Anglo-American and Imperial system of units . |
| M97 | dyne metre CGS (Centimetre-Gram-Second system) unit of the rotational moment. |
| M98 | kilogram centimetre per second Product of the SI base unit kilogram and the 0,01-fold of the SI base unit metre divided by the SI base unit second. |
| M99 | gram centimetre per second Product of the 0,001-fold of the SI base unit kilogram and the 0,01-fold of the SI base unit metre divided by the SI base unit second. |

Used Codes

| | |
|-----|---|
| MAH | megavolt ampere reactive hour A unit of electrical reactive power defining the total amount of reactive power across a power system. |
| MAL | megalitre |
| MAM | megametre |
| MAR | megavar A unit of electrical reactive power represented by a current of one thousand amperes flowing due a potential difference of one thousand volts where the sine of the phase angle between them is 1. |
| MAW | megawatt A unit of power defining the rate of energy transferred or consumed when a current of 1000 amperes flows due to a potential of 1000 volts at unity power factor. |
| MBE | thousand standard brick equivalent A unit of count defining the number of one thousand brick equivalent units. |
| MBF | thousand board foot A unit of volume equal to one thousand board foot. |
| MBR | millibar |
| MC | microgram |
| MCU | millicurie |
| MD | air dry metric ton A unit of count defining the number of metric tons of a product, disregarding the water content of the product. |
| MGM | milligram |
| MHZ | megahertz |
| MIK | square mile (statute mile) |
| MIL | thousand |
| MIN | minute [unit of time] |
| MIO | million |
| MIU | million international unit A unit of count defining the number of international units in multiples of 10 to the power of 6. |
| MKD | Square Metre Day Unit for measuring physical dimensions and time as required by DIN 18451 |
| MKM | Square Metre Month Unit for measuring physical dimensions and time as required by DIN 18451 |
| MKW | Square Metre Week Unit for measuring physical dimensions and time as required by DIN 18451 |

Used Codes

| | |
|-----|---|
| MLD | milliard Synonym: billion (US) |
| MLT | millilitre |
| MMK | square millimetre |
| MMQ | cubic millimetre |
| MMT | millimetre |
| MND | kilogram, dry weight A unit of mass defining the number of kilograms of a product, disregarding the water content of the product. |
| MNJ | Mega Joule per Normalised cubic Metre Energy in Mega Joules per normalised cubic metre for gas (temperature 0°C and pressure 101325 millibars) |
| MON | month Unit of time equal to 1/12 of a year of 365,25 days. |
| MPA | megapascal |
| MQD | Cubic Metre Day Unit for measuring physical dimensions and time as required by DIN 18451 |
| MQH | cubic metre per hour |
| MQM | Cubic Metre Month Unit for measuring physical dimensions and time as required by DIN 18451 |
| MQS | cubic metre per second |
| MQW | Cubic Metre Week Unit for measuring physical dimensions and time as required by DIN 18451 |
| MRD | Metre Day Unit for measuring physical dimensions and time as required by DIN 18451 |
| MRM | Metre Month Unit for measuring physical dimensions and time as required by DIN 18451 |
| MRW | Metre Week Unit for measuring physical dimensions and time, as required by DIN 18451 |
| MSK | metre per second squared |
| MTK | square metre |
| MTQ | cubic metre Synonym: metre cubed |
| MTR | metre |
| MTS | metre per second |

Used Codes

| | |
|-----|--|
| MTZ | milihertz A unit of frequency equal to 0.001 cycle per second |
| MVA | megavolt - ampere |
| MWH | megawatt hour (1000 kW.h) A unit of power defining the total amount of bulk energy transferred or consumed. |
| N1 | pen calorie A unit of count defining the number of calories prescribed daily for parenteral/ enteral therapy. |
| N10 | pound foot per second Product of the avoirdupois pound according to the avoirdupois unit system and the unit foot according to the Anglo-American and Imperial system of units divided by the SI base unit second. |
| N11 | pound inch per second Product of the avoirdupois pound according to the avoirdupois unit system and the unit inch according to the Anglo-American and Imperial system of units divided by the SI base unit second. |
| N12 | Pferdestaerke Obsolete unit of the power relating to DIN 1301-3:1979: 1 PS = 735,498 75 W. |
| N13 | centimetre of mercury (0 °C) Non SI-conforming unit of pressure, at which a value of 1 cmHg meets the static pressure, which is generated by a mercury at a temperature of 0 °C with a height of 1 centimetre . |
| N14 | centimetre of water (4 °C) Non SI-conforming unit of pressure, at which a value of 1 cmH ₂ O meets the static pressure, which is generated by a head of water at a temperature of 4 °C with a height of 1 centimetre . |
| N15 | foot of water (39.2 °F) Non SI-conforming unit of pressure according to the Anglo-American and Imperial system for units, whereas the value of 1 ftH ₂ O is equivalent to the static pressure, which is generated by a head of water at a temperature 39,2°F with a height of 1 foot . |
| N16 | inch of mercury (32 °F) Non SI-conforming unit of pressure according to the Anglo-American and Imperial system for units, whereas the value of 1 inHg meets the static pressure, which is generated by a mercury at a temperature of 32°F with a height of 1 inch. |
| N17 | inch of mercury (60 °F) Non SI-conforming unit of pressure according to the Anglo-American and Imperial system for units, whereas the value of 1 inHg meets the static pressure, which is generated by a mercury at a temperature of 60°F with a height of 1 inch. |

Used Codes

| | |
|-----|--|
| N18 | <p>inch of water (39.2 °F)</p> <p>Non SI-conforming unit of pressure according to the Anglo-American and Imperial system for units, whereas the value of 1 inH2O meets the static pressure, which is generated by a head of water at a temperature of 39,2°F with a height of 1 inch .</p> |
| N19 | <p>inch of water (60 °F)</p> <p>Non SI-conforming unit of pressure according to the Anglo-American and Imperial system for units, whereas the value of 1 inH2O meets the static pressure, which is generated by a head of water at a temperature of 60°F with a height of 1 inch .</p> |
| N20 | <p>kip per square inch</p> <p>Non SI-conforming unit of the pressure according to the Anglo-American system of units as the 1000-fold of the unit of the force pound-force divided by the power of the unit inch by exponent 2.</p> |
| N21 | <p>poundal per square foot</p> <p>Non SI-conforming unit of pressure by the Imperial system of units according to NIST: $1 \text{ pdl/ft}^2 = 1,488 \text{ 164 Pa}$.</p> |
| N22 | <p>ounce (avoirdupois) per square inch</p> <p>Unit of the surface specific mass (avoirdupois ounce according to the avoirdupois system of units according to the surface square inch according to the Anglo-American and Imperial system of units).</p> |
| N23 | <p>conventional metre of water</p> <p>Not SI-conforming unit of pressure, whereas a value of 1 mH2O is equivalent to the static pressure, which is produced by one metre high water column .</p> |
| N24 | <p>gram per square millimetre</p> <p>0,001-fold of the SI base unit kilogram divided by the 0.000 001-fold of the power of the SI base unit meter by exponent 2.</p> |
| N25 | <p>pound per square yard</p> <p>Unit for areal-related mass as a unit pound according to the avoirdupois unit system divided by the power of the unit yard according to the Anglo-American and Imperial system of units with exponent 2.</p> |
| N26 | <p>poundal per square inch</p> <p>Non SI-conforming unit of the pressure according to the Imperial system of units (poundal by square inch).</p> |
| N27 | <p>foot to the fourth power</p> <p>Power of the unit foot according to the Anglo-American and Imperial system of units by exponent 4 according to NIST: $1 \text{ ft}^4 = 8,630 \text{ 975 m}^4$.</p> |
| N28 | <p>cubic decimetre per kilogram</p> <p>0,001 fold of the power of the SI base unit meter by exponent 3 divided by the SI based unit kilogram.</p> |

Used Codes

| | |
|-----|---|
| N29 | cubic foot per pound Power of the unit foot according to the Anglo-American and Imperial system of units by exponent 3 divided by the unit avoirdupois pound according to the avoirdupois unit system. |
| N3 | print point |
| N30 | cubic inch per pound Power of the unit inch according to the Anglo-American and Imperial system of units by exponent 3 divided by the avoirdupois pound according to the avoirdupois unit system . |
| N31 | kilonewton per metre 1000-fold of the derived SI unit newton divided by the SI base unit metre. |
| N32 | poundal per inch Non SI-conforming unit of the surface tension according to the Imperial unit system as quotient poundal by inch. |
| N33 | pound-force per yard Unit of force per unit length based on the Anglo-American system of units. |
| N34 | poundal second per square foot Non SI-conforming unit of viscosity. |
| N35 | poise per pascal CGS (Centimetre-Gram-Second system) unit poise divided by the derived SI unit pascal. |
| N36 | newton second per square metre Unit of the dynamic viscosity as a product of unit of the pressure (newton by square metre) multiplied with the SI base unit second. |
| N37 | kilogram per metre second Unit of the dynamic viscosity as a quotient SI base unit kilogram divided by the SI base unit metre and by the SI base unit second. |
| N38 | kilogram per metre minute Unit of the dynamic viscosity as a quotient SI base unit kilogram divided by the SI base unit metre and by the unit minute. |
| N39 | kilogram per metre day Unit of the dynamic viscosity as a quotient SI base unit kilogram divided by the SI base unit metre and by the unit day. |
| N40 | kilogram per metre hour Unit of the dynamic viscosity as a quotient SI base unit kilogram divided by the SI base unit metre and by the unit hour. |
| N41 | gram per centimetre second Unit of the dynamic viscosity as a quotient of the 0,001-fold of the SI base unit kilogram divided by the 0,01-fold of the SI base unit metre and SI base unit second. |

Used Codes

| | |
|-----|---|
| N42 | poundal second per square inch Non SI-conforming unit of dynamic viscosity according to the Imperial system of units as product unit of the pressure (poundal by square inch) multiplied by the SI base unit second. |
| N43 | pound per foot minute Unit of the dynamic viscosity according to the Anglo-American unit system. |
| N44 | pound per foot day Unit of the dynamic viscosity according to the Anglo-American unit system. |
| N45 | cubic metre per second pascal Power of the SI base unit meter by exponent 3 divided by the product of the SI base unit second and the derived SI base unit pascal. |
| N46 | foot poundal Unit of the work (force-path). |
| N47 | inch poundal Unit of work (force multiplied by path) according to the Imperial system of units as a product unit inch multiplied by poundal. |
| N48 | watt per square centimetre Derived SI unit watt divided by the power of the 0,01-fold the SI base unit metre by exponent 2. |
| N49 | watt per square inch Derived SI unit watt divided by the power of the unit inch according to the Anglo-American and Imperial system of units by exponent 2. |
| N50 | British thermal unit (international table) per square foot hour Unit of the surface heat flux according to the Imperial system of units. |
| N51 | British thermal unit (thermochemical) per square foot hour Unit of the surface heat flux according to the Imperial system of units. |
| N52 | British thermal unit (thermochemical) per square foot minute Unit of the surface heat flux according to the Imperial system of units. |
| N53 | British thermal unit (international table) per square foot second Unit of the surface heat flux according to the Imperial system of units. |
| N54 | British thermal unit (thermochemical) per square foot second Unit of the surface heat flux according to the Imperial system of units. |
| N55 | British thermal unit (international table) per square inch second Unit of the surface heat flux according to the Imperial system of units. |
| N56 | calorie (thermochemical) per square centimetre minute Unit of the surface heat flux according to the Imperial system of units. |
| N57 | calorie (thermochemical) per square centimetre second Unit of the surface heat flux according to the Imperial system of units. |

Used Codes

| | |
|-----|---|
| N58 | British thermal unit (international table) per cubic foot Unit of the energy density according to the Imperial system of units. |
| N59 | British thermal unit (thermochemical) per cubic foot Unit of the energy density according to the Imperial system of units. |
| N60 | British thermal unit (international table) per degree Fahrenheit Unit of the heat capacity according to the Imperial system of units. |
| N61 | British thermal unit (thermochemical) per degree Fahrenheit Unit of the heat capacity according to the Imperial system of units. |
| N62 | British thermal unit (international table) per degree Rankine Unit of the heat capacity according to the Imperial system of units. |
| N63 | British thermal unit (thermochemical) per degree Rankine Unit of the heat capacity according to the Imperial system of units. |
| N64 | British thermal unit (thermochemical) per pound degree Rankine Unit of the heat capacity (British thermal unit according to the international table according to the Rankine degree) according to the Imperial system of units divided by the unit avoirdupois pound according to the avoirdupois system of units. |
| N65 | kilocalorie (international table) per gram kelvin Unit of the mass-related heat capacity as quotient 1000-fold of the calorie (international table) divided by the product of the 0,001-fold of the SI base units kilogram and kelvin. |
| N66 | British thermal unit (39 °F) Unit of heat energy according to the Imperial system of units in a reference temperature of 39 °F. |
| N67 | British thermal unit (59 °F) Unit of heat energy according to the Imperial system of units in a reference temperature of 59 °F. |
| N68 | British thermal unit (60 °F) Unit of head energy according to the Imperial system of units at a reference temperature of 60 °F. |
| N69 | calorie (20 °C) Unit for quantity of heat, which is to be required for 1 g air free water at a constant pressure from 101,325 kPa, to warm up the pressure of standard atmosphere at sea level, from 19,5 °C on 20,5 °C. |
| N70 | quad (1015 BtuIT) Unit of heat energy according to the imperial system of units. |
| N71 | therm (EC) Unit of heat energy in commercial use, within the EU defined: 1 thm (EC) = 100 000 BtuIT. |

Used Codes

| | |
|-----|---|
| N72 | therm (U.S.) Unit of heat energy in commercial use. |
| N73 | British thermal unit (thermochemical) per pound Unit of the heat energy according to the Imperial system of units divided the unit avoirdupois pound according to the avoirdupois system of units. |
| N74 | British thermal unit (international table) per hour square foot degree Fahrenheit Unit of the heat transition coefficient according to the Imperial system of units. |
| N75 | British thermal unit (thermochemical) per hour square foot degree Fahrenheit Unit of the heat transition coefficient according to the imperial system of units. |
| N76 | British thermal unit (international table) per second square foot degree Fahrenheit Unit of the heat transition coefficient according to the imperial system of units. |
| N77 | British thermal unit (thermochemical) per second square foot degree Fahrenheit Unit of the heat transition coefficient according to the imperial system of units. |
| N78 | kilowatt per square metre kelvin 1000-fold of the derived SI unit watt divided by the product of the power of the SI base unit metre by exponent 2 and the SI base unit kelvin. |
| N79 | kelvin per pascal SI base unit kelvin divided by the derived SI unit pascal. |
| N80 | watt per metre degree Celsius Derived SI unit watt divided by the product of the SI base unit metre and the unit for temperature degree Celsius. |
| N81 | kilowatt per metre kelvin 1000-fold of the derived SI unit watt divided by the product of the SI base unit metre and the SI base unit kelvin. |
| N82 | kilowatt per metre degree Celsius 1000-fold of the derived SI unit watt divided by the product of the SI base unit metre and the unit for temperature degree Celsius. |
| N83 | metre per degree Celcius metre SI base unit metre divided by the product of the unit degree Celsius and the SI base unit metre. |
| N84 | degree Fahrenheit hour per British thermal unit (international table) Non SI-conforming unit of the thermal resistance according to the Imperial system of units. |
| N85 | degree Fahrenheit hour per British thermal unit (thermochemical) Non SI-conforming unit of the thermal resistance according to the Imperial system of units. |

Used Codes

| | |
|-----|--|
| N86 | degree Fahrenheit second per British thermal unit (international table) Non SI-conforming unit of the thermal resistance according to the Imperial system of units. |
| N87 | degree Fahrenheit second per British thermal unit (thermochemical) Non SI-conforming unit of the thermal resistance according to the Imperial system of units. |
| N88 | degree Fahrenheit hour square foot per British thermal unit (international table) inch Unit of specific thermal resistance according to the Imperial system of units. |
| N89 | degree Fahrenheit hour square foot per British thermal unit (thermochemical) inch Unit of specific thermal resistance according to the Imperial system of units. |
| N90 | kilofarad 1000-fold of the derived SI unit farad. |
| N91 | reciprocal joule Reciprocal of the derived SI unit joule. |
| N92 | picosiemens 0,000 000 000 001-fold of the derived SI unit siemens. |
| N93 | ampere per pascal SI base unit ampere divided by the derived SI unit pascal. |
| N94 | franklin CGS (Centimetre-Gram-Second system) unit of the electrical charge, where the charge amounts to exactly 1 Fr where the force of 1 dyn on an equal load is performed at a distance of 1 cm. |
| N95 | ampere minute A unit of electric charge defining the amount of charge accumulated by a steady flow of one ampere for one minute.. |
| N96 | biot CGS (Centimetre-Gram-Second system) unit of the electric power which is defined by a force of 2 dyn per cm between two parallel conductors of infinite length with negligible cross-section in the distance of 1 cm. |
| N97 | gilbert CGS (Centimetre-Gram-Second system) unit of the magnetomotive force, which is defined by the work to increase the magnetic potential of a positive common pol with 1 erg. |
| N98 | volt per pascal Derived SI unit volt divided by the derived SI unit pascal. |
| N99 | picovolt 0,000 000 000 001-fold of the derived SI unit volt. |
| NA | milligram per kilogram |

Used Codes

| | |
|-----|--|
| NAR | number of articles A unit of count defining the number of articles (article: item). |
| NCL | number of cells A unit of count defining the number of cells (cell: an enclosed or circumscribed space, cavity, or volume). |
| NEW | newton |
| NF | message A unit of count defining the number of messages. |
| NIL | nil A unit of count defining the number of instances of nothing. |
| NIU | number of international units A unit of count defining the number of international units. |
| NL | load A unit of volume defining the number of loads (load: a quantity of items carried or processed at one time). |
| NM3 | Normalised cubic metre Normalised cubic metre (temperature 0°C and pressure 1013.25 millibars) |
| NMI | nautical mile |
| NMP | number of packs A unit of count defining the number of packs (pack: a collection of objects packaged together). |
| NPR | number of pairs A unit of count defining the number of pairs (pair: item described by two's). |
| NPT | number of parts A unit of count defining the number of parts (part: component of a larger entity). |
| NQ | mho |
| NR | micromho |
| NT | net ton A unit of mass equal to 2000 pounds, see ton (US). Refer International Convention on tonnage measurement of Ships. |
| NTT | net register ton A unit of mass equal to the total cubic footage after deductions, where 1 register ton is equal to 100 cubic feet. Refer International Convention on tonnage measurement of Ships. |
| NTU | Nephelometric turbidity unit Nephelometric turbidity unit (NTU) is used for water turbidity level evaluation |
| NU | newton metre |

Used Codes

| | |
|-----|--|
| NX | part per thousand A unit of proportion equal to 10 to the power of -3. Synonym: per mille |
| OA | panel A unit of count defining the number of panels (panel: a distinct, usually rectangular, section of a surface). |
| ODE | ozone depletion equivalent A unit of mass defining the ozone depletion potential in kilograms of a product relative to the calculated depletion for the reference substance, Trichlorofluoromethane (CFC-11). |
| ODG | ODS Grams A unit of measure calculated by multiplying the mass of the substance in grams and the ozone-depleting potential for the substance. |
| ODK | ODS Kilograms A unit of measure calculated by multiplying the mass of the substance in kilograms and the ozone-depleting potential for the substance. |
| ODM | ODS Milligrams A unit of measure calculated by multiplying the mass of the substance in milligrams and the ozone-depleting potential for the substance. |
| OHM | ohm |
| ON | ounce per square yard |
| ONZ | ounce (avoirdupois) |
| OPM | oscillations per minute The number of oscillations per minute. |
| OT | overtime hour A unit of time defining the number of overtime hours. |
| OZ | ounce av A unit of measure equal to 1/16 of a pound or about 28.3495 grams (av = avoirdupois). Use ounce (common code ONZ). |
| OZA | fluid ounce (US) |
| OZI | fluid ounce (UK) |
| P1 | percent A unit of proportion equal to 0.01. |
| P10 | coulomb per metre Derived SI unit coulomb divided by the SI base unit metre. |
| P11 | kiloweber 1000 fold of the derived SI unit weber. |
| P12 | gamma Unit of magnetic flow density. |

Used Codes

| | |
|-----|---|
| P13 | kilotesla 1000-fold of the derived SI unit tesla. |
| P14 | joule per second Quotient of the derived SI unit joule divided by the SI base unit second. |
| P15 | joule per minute Quotient from the derived SI unit joule divided by the unit minute. |
| P16 | joule per hour Quotient from the derived SI unit joule divided by the unit hour. |
| P17 | joule per day Quotient from the derived SI unit joule divided by the unit day. |
| P18 | kilojoule per second Quotient from the 1000-fold of the derived SI unit joule divided by the SI base unit second. |
| P19 | kilojoule per minute Quotient from the 1000-fold of the derived SI unit joule divided by the unit minute. |
| P2 | pound per foot |
| P20 | kilojoule per hour Quotient from the 1000-fold of the derived SI unit joule divided by the unit hour. |
| P21 | kilojoule per day Quotient from the 1000-fold of the derived SI unit joule divided by the unit day. |
| P22 | nanoohm 0,000 000 001-fold of the derived SI unit ohm. |
| P23 | ohm circular-mil per foot Unit of resistivity. |
| P24 | kilohenry 1000-fold of the derived SI unit henry. |
| P25 | lumen per square foot Derived SI unit lumen divided by the power of the unit foot according to the Anglo-American and Imperial system of units by exponent 2. |
| P26 | phot CGS (Centimetre-Gram-Second system) unit of luminance, defined as lumen by square centimetre. |
| P27 | footcandle Non SI conform traditional unit, defined as density of light which impinges on a surface which has a distance of one foot from a light source, which shines with an intensity of an international candle. |

Used Codes

| | |
|-----|--|
| P28 | candela per square inch SI base unit candela divided by the power of unit inch according to the Anglo-American and Imperial system of units by exponent 2. |
| P29 | footlambert Unit of the luminance according to the Anglo-American system of units, defined as emitted or reflected luminance of a lm/ft ² . |
| P30 | lambert CGS (Centimetre-Gram-Second system) unit of luminance, defined as the emitted or reflected luminance by one lumen per square centimetre. |
| P31 | stilb CGS (Centimetre-Gram-Second system) unit of luminance, defined as emitted or reflected luminance by one lumen per square centimetre. |
| P32 | candela per square foot Base unit SI candela divided by the power of the unit foot according to the Anglo-American and Imperial system of units by exponent 2. |
| P33 | kilocandela 1000-fold of the SI base unit candela. |
| P34 | millicandela 0,001-fold of the SI base unit candela. |
| P35 | Hefner-Kerze Obsolete, non-legal unit of the power in Germany relating to DIN 1301-3: 1979: 1 HK = 0,903 cd. |
| P36 | international candle Obsolete, non-legal unit of the power in Germany relating to DIN 1301-3: 1979: 1 HK = 1,019 cd. |
| P37 | British thermal unit (international table) per square foot Unit of the areal-related energy transmission according to the Imperial system of units. |
| P38 | British thermal unit (thermochemical) per square foot Unit of the areal-related energy transmission according to the Imperial system of units. |
| P39 | calorie (thermochemical) per square centimetre Unit of the areal-related energy transmission according to the Imperial system of units. |
| P40 | langley CGS (Centimetre-Gram-Second system) unit of the areal-related energy transmission (as a measure of the incident quantity of heat of solar radiation on the earth's surface). |
| P41 | decade (logarithmic) 1 Dec := log ₂ 10 ~ 3,32 according to the logarithm for frequency range between f ₁ and f ₂ , when f ₂ /f ₁ = 10. |

Used Codes

| | |
|-----|---|
| P42 | pascal squared second Unit of the set as a product of the power of derived SI unit pascal with exponent 2 and the SI base unit second. |
| P43 | bel per metre Unit bel divided by the SI base unit metre. |
| P44 | pound mole Non SI-conforming unit of quantity of a substance relating that one pound mole of a chemical composition corresponds to the same number of pounds as the molecular weight of one molecule of this composition in atomic mass units. |
| P45 | pound mole per second Non SI-conforming unit of the power of the amount of substance non-SI compliant unit of the molar flux relating that a pound mole of a chemical composition the same number of pound corresponds like the molecular weight of a molecule of this composition in atomic mass units. |
| P46 | pound mole per minute Non SI-conforming unit of the power of the amount of substance non-SI compliant unit of the molar flux relating that a pound mole of a chemical composition the same number of pound corresponds like the molecular weight of a molecule of this composition in atomic mass units. |
| P47 | kilomole per kilogram 1000-fold of the SI base unit mol divided by the SI base unit kilogram. |
| P48 | pound mole per pound Non SI-conforming unit of the material molar flux divided by the avoirdupois pound for mass according to the avoirdupois unit system. |
| P49 | newton square metre per ampere Product of the derived SI unit newton and the power of SI base unit metre with exponent 2 divided by the SI base unit ampere. |
| P5 | five pack A unit of count defining the number of five-packs (five-pack: set of five items packaged together). |
| P50 | weber metre Product of the derived SI unit weber and SI base unit metre. |
| P51 | mol per kilogram pascal SI base unit mol divided by the product of the SI base unit kilogram and the derived SI unit pascal. |
| P52 | mol per cubic metre pascal SI base unit mol divided by the product of the power from the SI base unit metre with exponent 3 and the derived SI unit pascal. |
| P53 | unit pole CGS (Centimetre-Gram-Second system) unit for magnetic flux of a magnetic pole (according to the interaction of identical poles of 1 dyn at a distance of a cm). |

Used Codes

| | |
|-----|--|
| P54 | milligray per second 0,001-fold of the derived SI unit gray divided by the SI base unit second. |
| P55 | microgray per second 0,000 001-fold of the derived SI unit gray divided by the SI base unit second. |
| P56 | nanogray per second 0,000 000 001-fold of the derived SI unit gray divided by the SI base unit second. |
| P57 | gray per minute SI derived unit gray divided by the unit minute. |
| P58 | milligray per minute 0,001-fold of the derived SI unit gray divided by the unit minute. |
| P59 | microgray per minute 0,000 001-fold of the derived SI unit gray divided by the unit minute. |
| P60 | nanogray per minute 0,000 000 001-fold of the derived SI unit gray divided by the unit minute. |
| P61 | gray per hour SI derived unit gray divided by the unit hour. |
| P62 | milligray per hour 0,001-fold of the derived SI unit gray divided by the unit hour. |
| P63 | microgray per hour 0,000 001-fold of the derived SI unit gray divided by the unit hour. |
| P64 | nanogray per hour 0,000 000 001-fold of the derived SI unit gray divided by the unit hour. |
| P65 | sievert per second Derived SI unit sievert divided by the SI base unit second. |
| P66 | millisievert per second 0,001-fold of the derived SI unit sievert divided by the SI base unit second. |
| P67 | microsievert per second 0,000 001-fold of the derived SI unit sievert divided by the SI base unit second. |
| P68 | nanosievert per second 0,000 000 001-fold of the derived SI unit sievert divided by the SI base unit second. |
| P69 | rem per second Unit for the equivalent tin rate relating to DIN 1301-3:1979: $1 \text{ rem/s} = 0,01 \text{ J}/(\text{kg}\cdot\text{s}) = 1 \text{ Sv/s}$. |
| P70 | sievert per hour Derived SI unit sievert divided by the unit hour. |

Used Codes

| | |
|-----|--|
| P71 | millisievert per hour 0,001-fold of the derived SI unit sievert divided by the unit hour. |
| P72 | microsievert per hour 0,000 001-fold of the derived SI unit sievert divided by the unit hour. |
| P73 | nanosievert per hour 0,000 000 001-fold of the derived SI unit sievert divided by the unit hour. |
| P74 | sievert per minute Derived SI unit sievert divided by the unit minute. |
| P75 | millisievert per minute 0,001-fold of the derived SI unit sievert divided by the unit minute. |
| P76 | microsievert per minute 0,000 001-fold of the derived SI unit sievert divided by the unit minute. |
| P77 | nanosievert per minute 0,000 000 001-fold of the derived SI unit sievert divided by the unit minute. |
| P78 | reciprocal square inch Complement of the power of the unit inch according to the Anglo-American and Imperial system of units by exponent 2. |
| P79 | pascal square metre per kilogram Unit of the burst index as derived unit for pressure pascal related to the substance, represented as a quotient from the SI base unit kilogram divided by the power of the SI base unit metre by exponent 2. |
| P80 | millipascal per metre 0,001-fold of the derived SI unit pascal divided by the SI base unit metre. |
| P81 | kilopascal per metre 1000-fold of the derived SI unit pascal divided by the SI base unit metre. |
| P82 | hectopascal per metre 100-fold of the derived SI unit pascal divided by the SI base unit metre. |
| P83 | standard atmosphere per metre Outdated unit of the pressure divided by the SI base unit metre. |
| P84 | technical atmosphere per metre Obsolete and non-legal unit of the pressure which is generated by a 10 metre water column divided by the SI base unit metre. |
| P85 | torr per metre CGS (Centimetre-Gram-Second system) unit of the pressure divided by the SI base unit metre. |

Used Codes

| | |
|-----|---|
| P86 | psi per inch Compound unit for pressure (pound-force according to the Anglo-American unit system divided by the power of the unit inch according to the Anglo-American and Imperial system of units with the exponent 2) divided by the unit inch according to the Anglo-American and Imperial system of units . |
| P87 | cubic metre per second square metre Unit of volume flow cubic meters by second related to the transmission surface in square metres. |
| P88 | rhe Non SI-conforming unit of fluidity of dynamic viscosity. |
| P89 | pound-force foot per inch Unit for length-related rotational moment according to the Anglo-American and Imperial system of units. |
| P90 | pound-force inch per inch Unit for length-related rotational moment according to the Anglo-American and Imperial system of units. |
| P91 | perm (0 °C) Traditional unit for the ability of a material to allow the transition of the steam, defined at a temperature of 0 °C as steam transmittance, where the mass of one grain steam penetrates an area of one foot squared at a pressure from one inch mercury per hour. |
| P92 | perm (23 °C) Traditional unit for the ability of a material to allow the transition of the steam, defined at a temperature of 23 °C as steam transmittance at which the mass of one grain of steam penetrates an area of one square foot at a pressure of one inch mercury per hour. |
| P93 | byte per second Unit byte divided by the SI base unit second. |
| P94 | kilobyte per second 1000-fold of the unit byte divided by the SI base unit second. |
| P95 | megabyte per second 1 000 000-fold of the unit byte divided by the SI base unit second. |
| P96 | reciprocal volt Reciprocal of the derived SI unit volt. |
| P97 | reciprocal radian Reciprocal of the unit radian. |
| P98 | pascal to the power sum of stoichiometric numbers Unit of the equilibrium constant on the basis of the pressure(ISO 80000-9: 2009, 9-35.a). |

Used Codes

| | |
|-----|---|
| P99 | mole per cubiv metre to the power sum of stoichiometric numbers Unit of the equilibrium constant on the basis of the concentration (ISO 80000-9:2009, 9-36.a). |
| PAL | pascal |
| PD | pad A unit of count defining the number of pads (pad: block of paper sheets fastened together at one end). |
| PFL | proof litre A unit of volume equal to one litre of proof spirits, or the alcohol equivalent thereof. Used for measuring the strength of distilled alcoholic liquors, expressed as a percentage of the alcohol content of a standard mixture at a specific temperature. |
| PGL | proof gallon A unit of volume equal to one gallon of proof spirits, or the alcohol equivalent thereof. Used for measuring the strength of distilled alcoholic liquors, expressed as a percentage of the alcohol content of a standard mixture at a specific temperature. |
| PI | pitch A unit of count defining the number of characters that fit in a horizontal inch. |
| PLA | degree Plato A unit of proportion defining the sugar content of a product, especially in relation to beer. |
| PO | pound per inch of length |
| PQ | page per inch A unit of quantity defining the degree of thickness of a bound publication, expressed as the number of pages per inch of thickness. |
| PR | pair A unit of count defining the number of pairs (pair: item described by two's). |
| PS | pound-force per square inch |
| PT | pint (US) Use liquid pint (common code PTL) |
| PTD | dry pint (US) |
| PTI | pint (UK) |
| PTL | liquid pint (US) |
| PTN | portion A quantity of allowance of food allotted to, or enough for, one person. |
| Q10 | joule per tesla Unit of the magnetic dipole moment of the molecule as derived SI unit joule divided by the derived SI unit tesla. |

Used Codes

| | |
|-----|---|
| Q11 | erlang Unit of the market value according to the feature of a single feature as a statistical measurement of the existing utilization. |
| Q12 | octet Synonym for byte: 1 octet = 8 bit = 1 byte. |
| Q13 | octet per second Unit octet divided by the SI base unit second. |
| Q14 | shannon Logarithmic unit for information equal to the content of decision of a sentence of two mutually exclusive events, expressed as a logarithm to base 2. |
| Q15 | hartley Logarithmic unit for information equal to the content of decision of a sentence of ten mutually exclusive events, expressed as a logarithm to base 10. |
| Q16 | natural unit of information Logarithmic unit for information equal to the content of decision of a sentence of ,718 281 828 459 mutually exclusive events, expressed as a logarithm to base Euler value e. |
| Q17 | shannon per second Time related logarithmic unit for information equal to the content of decision of a sentence of two mutually exclusive events, expressed as a logarithm to base 2. |
| Q18 | hartley per second Time related logarithmic unit for information equal to the content of decision of a sentence of ten mutually exclusive events, expressed as a logarithm to base 10. |
| Q19 | natural unit of information per second Time related logarithmic unit for information equal to the content of decision of a sentence of 2,718 281 828 459 mutually exclusive events, expressed as a logarithm to base of the Euler value e. |
| Q20 | second per kilogramm Unit of the Einstein transition probability for spontaneous or inducing emissions and absorption according to ISO 80000-7:2008, expressed as SI base unit second divided by the SI base unit kilogram. |
| Q21 | watt square metre Unit of the first radiation constants $c_1 = 2 \cdot p \cdot h \cdot c_0$ to the power of 2, the value of which is 3,741 771 18 · 10 ¹⁶ -fold that of the comparative value of the product of the derived SI unit watt multiplied with the power of the SI base unit metre with the exponent 2. |
| Q22 | second per radian cubic metre Unit of the density of states as an expression of angular frequency as complement of the product of hertz and radian and the power of SI base unit metre by exponent 3 . |

Used Codes

| | |
|-----|---|
| Q23 | weber to the power minus one Complement of the derived SI unit weber as unit of the Josephson constant, which value is equal to the 384 597,891-fold of the reference value gigahertz divided by volt. |
| Q24 | reciprocal inch Complement of the unit inch according to the Anglo-American and Imperial system of units. |
| Q25 | dioptre Unit used at the statement of relative refractive indexes of optical systems as complement of the focal length with correspondence to: 1 dpt = 1/m. |
| Q26 | one per one Value of the quotient from two physical units of the same kind as a numerator and denominator whereas the units are shortened mutually. |
| Q27 | newton metre per metre Unit for length-related rotational moment as product of the derived SI unit newton and the SI base unit metre divided by the SI base unit metre. |
| Q28 | kilogram per square metre pascal second Unit for the ability of a material to allow the transition of steam. |
| Q29 | microgram per hectogram Microgram per hectogram. |
| Q3 | meal A unit of count defining the number of meals (meal: an amount of food to be eaten on a single occasion). |
| Q30 | pH (potential of Hydrogen) The activity of the (solvated) hydrogen ion (a logarithmic measure used to state the acidity or alkalinity of a chemical solution). |
| Q31 | kilojoule per gram |
| Q32 | femtolitre |
| Q33 | picolitre |
| Q34 | nanolitre |
| Q35 | megawatts per minute A unit of power defining the total amount of bulk energy transferred or consumer per minute. |
| Q36 | square metre per cubic metre A unit of the amount of surface area per unit volume of an object or collection of objects. |
| Q37 | Standard cubic metre per day Standard cubic metre (temperature 15°C and pressure 1013.25 millibars) per day |

Used Codes

| | |
|-----|---|
| Q38 | Standard cubic metre per hour Standard cubic metre (temperature 15°C and pressure 1013.25 millibars) per hour |
| Q39 | Normalized cubic metre per day Normalized cubic metre (temperature 0°C and pressure 1013.25 millibars) per day |
| Q40 | Normalized cubic metre per hour Normalized cubic metre (temperature 0°C and pressure 1013.25 millibars) per hour |
| Q41 | Joule per normalised cubic metre Joule per normalised cubic metre (temperature 0°C and pressure 1013.25 millibars). |
| Q42 | Joule per standard cubic metre Joule per standard cubic metre (temperature 15°C and pressure 1013.25 millibars). |
| QA | page - facsimile A unit of count defining the number of facsimile pages. |
| QAN | quarter (of a year) A unit of time defining the number of quarters (3 months). |
| QB | page - hardcopy A unit of count defining the number of hardcopy pages (hardcopy page: a page rendered as printed or written output on paper, film, or other permanent medium). |
| QR | quire A unit of count for paper, expressed as the number of quires (quire: a number of paper sheets, typically 25). |
| QT | quart (US) Use liquid quart (common code QTL) |
| QTD | dry quart (US) |
| QTI | quart (UK) |
| QTL | liquid quart (US) |
| QTR | quarter (UK) A traditional unit of weight equal to 1/4 hundredweight. In the United Kingdom, one quarter equals 28 pounds. |
| R1 | pica A unit of count defining the number of picas. (pica: typographical length equal to 12 points or 4.22 mm (approx.)). |
| R9 | thousand cubic metre A unit of volume equal to one thousand cubic metres. |

Used Codes

| | |
|-----|--|
| RH | running or operating hour A unit of time defining the number of hours of operation. |
| RM | ream A unit of count for paper, expressed as the number of reams (ream: a large quantity of paper sheets, typically 500). |
| ROM | room A unit of count defining the number of rooms. |
| RP | pound per ream A unit of mass for paper, expressed as pounds per ream. (ream: a large quantity of paper, typically 500 sheets). |
| RPM | revolutions per minute Refer ISO/TC12 SI Guide |
| RPS | revolutions per second Refer ISO/TC12 SI Guide |
| RT | revenue ton mile A unit of information typically used for billing purposes, expressed as the number of revenue tons (revenue ton: either a metric ton or a cubic metres, whichever is the larger), moved over a distance of one mile. |
| S3 | square foot per second Synonym: foot squared per second |
| S4 | square metre per second Synonym: metre squared per second (square metres/second US) |
| SAN | half year (6 months) 'A unit of time defining the number of half years (6 months). |
| SCO | score A unit of count defining the number of units in multiples of 20. |
| SCR | scruple |
| SEC | second [unit of time] |
| SET | set A unit of count defining the number of sets (set: a number of objects grouped together). |
| SG | segment A unit of information equal to 64000 bytes. |
| SHT | shipping ton A unit of mass defining the number of tons for shipping. |
| SIE | siemens |
| SM3 | Standard cubic metre Standard cubic metre (temperature 15°C and pressure 1013.25 millibars) |

Used Codes

| | |
|-----|---|
| SMI | mile (statute mile) |
| SQ | square A unit of count defining the number of squares (square: rectangular shape). |
| SQR | square, roofing A unit of count defining the number of squares of roofing materials, measured in multiples of 100 square feet. |
| SR | strip A unit of count defining the number of strips (strip: long narrow piece of an object). |
| STC | stick A unit of count defining the number of sticks (stick: slender and often cylindrical piece of a substance). |
| STI | stone (UK) |
| STK | stick, cigarette A unit of count defining the number of cigarettes in the smallest unit for stock-taking and/or duty computation. |
| STL | standard litre A unit of volume defining the number of litres of a product at a temperature of 15 degrees Celsius, especially in relation to hydrocarbon oils. |
| STN | ton (US) or short ton (UK/US) Synonym: net ton (2000 lb) |
| STW | straw A unit of count defining the number of straws (straw: a slender tube used for sucking up liquids). |
| SW | skein A unit of count defining the number of skeins (skein: a loosely-coiled bundle of yarn or thread). |
| SX | shipment A unit of count defining the number of shipments (shipment: an amount of goods shipped or transported). |
| SYR | syringe A unit of count defining the number of syringes (syringe: a small device for pumping, spraying and/or injecting liquids through a small aperture). |
| T0 | telecommunication line in service A unit of count defining the number of lines in service. |
| T3 | thousand piece A unit of count defining the number of pieces in multiples of 1000 (piece: a single item, article or exemplar). |
| TAH | kiloampere hour (thousand ampere hour) |

Used Codes

| | |
|-----|---|
| TAN | total acid number A unit of chemistry defining the amount of potassium hydroxide (KOH) in milligrams that is needed to neutralize the acids in one gram of oil. It is an important quality measurement of crude oil. |
| TI | thousand square inch |
| TIC | metric ton, including container A unit of mass defining the number of metric tons of a product, including its container. |
| TIP | metric ton, including inner packaging A unit of mass defining the number of metric tons of a product, including its inner packaging materials. |
| TKM | tonne kilometre A unit of information typically used for billing purposes, expressed as the number of tonnes (metric tons) moved over a distance of one kilometre. |
| TMS | kilogram of imported meat, less offal A unit of mass equal to one thousand grams of imported meat, disregarding less valuable by-products such as the entrails. |
| TNE | tonne (metric ton) Synonym: metric ton |
| TP | ten pack A unit of count defining the number of items in multiples of 10. |
| TPI | teeth per inch The number of teeth per inch. |
| TPR | ten pair A unit of count defining the number of pairs in multiples of 10 (pair: item described by two's). |
| TQD | thousand cubic metre per day A unit of volume equal to one thousand cubic metres per day. |
| TRL | trillion (EUR) |
| TST | ten set A unit of count defining the number of sets in multiples of 10 (set: a number of objects grouped together). |
| TTS | ten thousand sticks A unit of count defining the number of sticks in multiples of 10000 (stick: slender and often cylindrical piece of a substance). |
| U1 | treatment A unit of count defining the number of treatments (treatment: subjection to the action of a chemical, physical or biological agent). |

Used Codes

| | |
|-----|---|
| U2 | tablet A unit of count defining the number of tablets (tablet: a small flat or compressed solid object). |
| UA | torr |
| UB | telecommunication line in service average A unit of count defining the average number of lines in service. |
| UC | telecommunication port A unit of count defining the number of network access ports. |
| UIG | international unit per gram A unit of count defining the number of international units per gram. |
| VA | volt - ampere per kilogram |
| VLT | volt |
| VP | percent volume A measure of concentration, typically expressed as the percentage volume of a solute in a solution. |
| W2 | wet kilo A unit of mass defining the number of kilograms of a product, including the water content of the product. |
| WA | watt per kilogram |
| WB | wet pound A unit of mass defining the number of pounds of a material, including the water content of the material. |
| WCD | cord A unit of volume used for measuring lumber. One board foot equals 1/12 of a cubic foot. |
| WE | wet ton A unit of mass defining the number of tons of a material, including the water content of the material. |
| WEB | weber |
| WEE | week |
| WG | wine gallon A unit of volume equal to 231 cubic inches. |
| WHR | watt hour |
| WM | working month A unit of time defining the number of working months. |
| WSD | standard A unit of volume of finished lumber equal to 165 cubic feet. Synonym: standard cubic foot |

Used Codes

| | |
|-----|--|
| WTT | watt |
| WW | millilitre of water A unit of volume equal to the number of millilitres of water. |
| X1 | Gunter's chain A unit of distance used or formerly used by British surveyors. |
| YDK | square yard |
| YDQ | cubic yard |
| YRD | yard |
| Z11 | hanging container A unit of count defining the number of hanging containers. |
| Z9 | nanomole An SI unit of amount of substance equal to 10^{-9} moles |
| ZP | page A unit of count defining the number of pages. |
| ZZ | mutually defined A unit of measure as agreed in common between two or more parties. |
| 001 | Barrel (205 litres, 45 gallons) (GS1 Temporary Code) A unit of liquids equivalent to 205 litres or 45 gallons. |
| 23 | gram per cubic centimetre GS1 Description: g/cm ³ as a unit of measure for the density of gas. This is necessary for dangerous substance articles for determination of the quantities that can be stored together on the shelf. |
| 25 | gram per square centimetre GS1 Description: A measure of weight in terms of gram per square centimetre. |
| 28 | kilogram per square metre GS1 Description: Unit of measure expressed in kilogram per square metre. |
| 37 | ounce per square foot |
| 59 | part per million |
| 64 | Pound per square inch, gauge A unit of measure expressed in pound per square inch |
| 2N | decibel |
| 2X | metre per minute GS1 Description: A measure of speed in terms of metres per minute. |
| 4K | milliampere |

Used Codes

| | |
|-----|--|
| 4L | megabyte GS1 Description: A unit of computer memory equal to 1.048.576 (i.e. 2 power 20) bytes. |
| 4O | microfarad GS1 Description: One millionth of a farad. A farad is the capacitance of a capacitor between the plates of which a potential of 1 volt is created by a charge of 1 Coulomb. |
| 4P | newton per metre |
| A25 | cheval vapeur |
| A86 | gigahertz GS1 Description: Hertz multiplied by 10*9. |
| A99 | Bit A unit of information equal to one binary digit. |
| ACR | acre GS1 Description: Acre (4840 yd2) |
| AD | byte GS1 Description: A unit of information stored in a computer, equal to eight bits. |
| AMH | ampere hour GS1 Description: Ampere-hour (3,6kC) |
| AMP | ampere |
| ANN | year GS1 Description: The expression of a year as a measure unit. |
| APZ | Troy ounce or apothecary ounce EDIFACT |
| ASM | alcoholic strength by mass GS1 Description: Alcoholic strength expressed by mass. |
| ASU | alcoholic strength by volume GS1 Description: Alcoholic strength expressed by volume. |
| AV | capsule GS1 Description: Encapsuled dosage form for pharmaceuticals. |
| B13 | Joule per square metre A unit of measure of heat energy expressed in joule per square metre. |
| B17 | Credit A unit of count defining the number of entries made to the credit side of an account. |

Used Codes

| | |
|-----|--|
| BAR | bar GS1 Description: A unit of measure equal to 106 dines per square centimeter. |
| BTU | British thermal unit GS1 Description: British thermal unit (1,055 kilojoules) |
| C0 | call GS1 Description: Unit of measure for telephone calls. Code value is C0 (C Zero). |
| C60 | ohm centimetre GS1 Description: Unit of measure expressed in Ohm centimetre. |
| C79 | Kilovolt Ampere Hour A unit of accumulated energy of 1000 volt amperes over a period of one hour. EDIFACT |
| CDL | candela GS1 Description: Unit of measure of light intensity. |
| CEL | degree celsius |
| CF2 | Colony forming unit per gram (GS1 Temporary Code) Colony forming units per gram is a unit of measure for micro-organisms, such as bacteria, in a food item. Micro-organisms form colonies that are be counted under determined conditions |
| CLT | centilitre GS1 Description: A unit of volume equal to one hundredth of a liter. |
| CMK | square centimetre |
| CMQ | cubic centimetre GS1 Description: A system of units for the measurement of volume based on the cubic centimetre. |
| CMT | centimetre |
| D19 | Square metre kelvin per watt Unit of measure of thermal insulance expressed in square metre kelvin per watt. |
| D21 | square metre per kilogram GS1 Description: Unit of measure expressed in square metre per kilogram. |
| D32 | Terawatt hour A unit of measure expressed in terawatt hour |
| D5 | Kilogram per square centimetre A unit of measure expressed in kilogram per square centimetre |

Used Codes

| | |
|-----|--|
| D55 | Watt per square metre kelvin Unit of measure of thermal conductance expressed in watt per square metre kelvin. |
| D68 | Number of Words A unit of count defining the number of words. EDIFACT |
| DAY | day GS1 Description: The expression of a day as a measure unit. |
| DD | degree GS1 Description: Unit of measure of temperature. |
| DMQ | cubic decimetre GS1 Description: Unit of measure expressed in cubic decimetre. |
| DMT | decimetre |
| DRG | Dragée (GS1 Temporary Code) Number of dragées (coated tablets) contained in the item's package as a measurement unit. |
| DZN | dozen GS1 Description: A unit of measure of 12 or group of 12. |
| E09 | Milliampere hour A unit of power load delivered at the rate of one thousandth of an ampere over a period of one hour. EDIFACT |
| E10 | Degree day A unit of measure used in meteorology and engineering to measure the demand for heating or cooling over a given period of days. EDIFACT |
| E11 | Gigacalorie A unit of heat energy equal to one thousand million calories. EDIFACT |
| E27 | Dose A unit of count defining the number of doses (dose: a definite quantity of a medicine or drug). EDIFACT |
| E31 | Square metre per litre A unit of count defining the number of square metres per litre. EDIFACT |
| E32 | Litre per hour A unit of count defining the number of litres per hour. EDIFACT |

Used Codes

| | |
|-----|--|
| E34 | Gigabyte A unit of information equal to 10 E9 bytes. |
| E37 | Pixel A unit of count defining the number of pixels (pixel: picture element). |
| E38 | Megapixel A unit of count equal to 10 E6 (1000000) pixels (picture elements). |
| E39 | Dots per inch A unit of information defining the number of dots per linear inch as a measure of the resolution or sharpness of an image. GS1 Description: synonym: pixels per inch. |
| EA | each |
| EV | envelope GS1 Description: A unit of measure pertaining to the number of envelopes. |
| FAH | degree Fahrenheit |
| FOT | foot GS1 Description: Foot (0,3048 m) |
| FP | Pound per square foot A unit of measure expressed in pound per square foot |
| FTK | Square foot A unit of measure expressed in square foot |
| FTQ | cubic foot |
| GL | gram per litre |
| GLI | gallon (UK) GS1 Description: Gallon (4,546092 dm ³) |
| GM | gram per square metre GS1 Description: Unit of measure of grams per square metre. |
| GRM | gram |
| GRO | gross GS1 Description: A unit of measure of 12 dozens. |
| GV | gigajoule |
| GWH | gigawatt hour GS1 Description: Gigawatt-hour (1 million kW/h) |

Used Codes

| | |
|-----|--|
| H87 | Piece A unit of count defining the number of pieces (piece: a single item, article or exemplar). EDIFACT |
| HLT | hectolitre |
| HMT | hectometre A unit of linear measure equal to 10 E2 metres. |
| HTZ | hertz GS1 Description: One cycle per second. |
| HUR | hour |
| INH | inch GS1 Description: Inch (25,4 mm) |
| INK | Square inch A unit of measure expressed in square inch |
| JM | Megajoule per cubic metre EDIFACT |
| JOU | joule |
| K51 | Kilocalorie (mean) EDIFACT |
| KB | kilocharacter |
| KBA | kilobar |
| KEL | kelvin |
| KGM | kilogram |
| KHZ | kilohertz |
| KJO | kilojoule |
| KL | kilogram per metre GS1 Description: A measure of weight in terms of kilogram per metre. |
| KMH | kilometre per hour GS1 Description: A unit of measure expressed in kilometre per hour. |
| KMQ | kilogram per cubic metre GS1 Description: A measure of weight in terms of kilogram per cubic metre. |
| KPA | kilopascal GS1 Description: Unit of measure expressed in kilopascal. |
| KTM | kilometre |

Used Codes

| | |
|-----|--|
| KVA | kilovolt - ampere GS1 Description: A unit of electric power. |
| KVT | kilovolt |
| KWH | kilowatt hour |
| KWT | kilowatt |
| L2 | litre per minute GS1 Description: Unit of measure expressed in litre per minute. |
| LBR | Pound EDIFACT |
| LD | Litre per day A unit of measure defining the number of litres per day. |
| LNE | Printed line count (GS1 Temporary Code) The indication of the count of printed lines included on a paper communication (e.g. telegram) for invoicing purposes. |
| LTR | litre GS1 Description: Litre (1 dm ³) |
| LUX | lux GS1 Description: Unit of measure of illumination (it corresponds to the illumination of a surface which normally and uniformly receives a light flow of 1 lumen per square meter). |
| M4 | Monetary value A unit of measure expressed as a monetary amount. EDIFACT |
| MAL | mega litre |
| MAW | megawatt |
| MC | microgram One millionth of a gram. |
| MCU | millicurie GS1 Description: Unit of measure for radioactivity. |
| MGM | milligram |
| MHZ | megahertz |
| MIN | minute |
| MLT | millilitre |
| MMK | square millimetre GS1 Description: A unit to measure a surface equal to one millionth of a quadrate. |

Used Codes

| | |
|-----|--|
| MMQ | cubic millimetre GS1 Description: A unit of measure expressed in cubic milimetres. |
| MMT | millimetre |
| MON | month GS1 Description: The expression of a month as a measure unit. |
| MPA | megapascal GS1 Description: A unit of measure expressed in Megapascal. |
| MQH | Cubic metre per hour A unit of measure defining the number of cubic metres per hour. |
| MTK | square metre |
| MTQ | cubic metre |
| MTR | metre |
| MTS | Metre per second A unit of speed expressed in metres per second. |
| MWH | megawatt hour (1000 kW.h) |
| NAR | number of articles |
| NEW | newton GS1 Description: The SI unit of force, equal to the force that would give a mass of one kilogram an acceleration of one metre per second. |
| NIU | number of international units A unit of count defining the number of international units. |
| NRL | number of rolls |
| ONZ | ounce GS1 Description: Ounce GB, US (28,349523 g) |
| OZA | fluid ounce (US) GS1 Description: Fluid ounce US (29,5735 cm ³) |
| OZI | fluid ounce (UK) GS1 Description: Fluid ounce UK (28,413 cm ³) |
| P1 | percent GS1 Description: This code is used to indicate measurements in terms of percentages, e.g. the relative humidity (code RA in data element 6313) is 52%. |
| PA | packet |

Used Codes

| | |
|-----|---|
| PAL | pascal GS1 Description: The SI unit of pressure, equal to one Newton per square metre. |
| PCE | Piece (GS1 Temporary Code) GS1 Note: Old code value. Use value H87 instead. |
| PF | pallet (lift) GS1 Description: A number of articles expressed in terms of pallets. |
| PR | pair GS1 Description: Two articles which belong together but are not necessarily identical. |
| PTI | pint (UK) GS1 Description: Pint UK (0,568262 dm3) |
| PTN | Portion (GS1 Temporary Code) The identification of the number of portions (doses in medical terms) into which a complete product may be broken into for serving purposes, e.g. a pie with 6 portions, a liquid medicine with 20 doses. |
| QAN | quarter (of a year) |
| QTI | quart (UK) GS1 Description: Quart UK (1,1136523 dm3) |
| RJH | Decanewton (GS1 Temporary Code) A unit of force equal to 10 Newton. |
| RPM | revolutions per minute |
| RTO | Ratio (GS1 Temporary Code) The measured value is a ratio. |
| SEC | second |
| SMI | Mile (statute mile) A unit of measure expressed in mile |
| ST | sheet |
| TNE | tonne (metric ton) GS1 Description: Metric ton (1000kg) |
| U2 | tablet A unit of count defining the number of tablets (tablet: a small flat or compressed solid object). GS1 Description: Dosage form for pharmaceuticals, pressed or compacted from a powder into a solid dose. |
| UI | Unit of activity, predefined (GS1 Temporary Code) A measure pertaining to a predefined activity. |

Used Codes

| | |
|-------------|--|
| VI | vial GS1 Description: Small glass container. E.g. for a liquid medicine or perfume. |
| VLT | volt |
| WHR | watt hour |
| WTT | watt |
| YDK | Square yard A unit of measure expressed in square yard |
| YRD | yard GS1 Description: Yard (0,9144 m) |
| ZP | page GS1 Description: The indication of a page as a measurement unit for invoicing purposes, e.g. fax pages. |
| 7001 | Physical or logical state type code qualifier Code qualifying the type of physical or logical state. |
| 1 | Upon receipt At the time of receipt. |
| 7007 | Physical or logical state description code Code specifying a physical or logical state. |
| 4 | Damaged In a damaged state. |
| 5 | Good condition In a state of good condition. |
| 15 | Obsolete The object is obsolete. GS1 Description: The item is obsolete and no longer fit for sale. |
| 17 | Defective The object is defective or faulty. GS1 Description: A book may be defective for two principal reasons. The reason could be indicated in DE 7006 if necessary. |
| 12E | Return goods (GS1 Temporary Code) Identified goods are to be returned according to specified conditions. |
| 13E | Dispose of goods (GS1 Temporary Code) The identified goods are to be disposed of. |

Used Codes

| | |
|-------------|--|
| 14E | Destroy goods (GS1 Temporary Code) The identified goods are to be destroyed. |
| 15E | Repair goods (GS1 Temporary Code) The identified goods are to be repaired. |
| 16E | Hold for examination (GS1 Temporary Code) The identified goods are to be held for examination. |
| 17E | Return refused (GS1 Temporary Code) The return of the identified goods has been refused. |
| 7009 | Item description code Code specifying an item. |
| ACA | ABC Method - Classification A (GS1 Permanent Code) Activity based on costing classification method A. |
| ACB | ABC Method - Classification B (GS1 Permanent Code) Activity based on costing classification method B. |
| ACC | ABC Method - Classification C (GS1 Permanent Code) Activity based on costing classification method C. |
| AUT | Autumn (GS1 Permanent Code) Autumn season. |
| BA | Base article (GS1 Permanent Code) A conceptual article identified for the purposes of ordering Customer Specific Articles. Base articles must always have configurations of options associated with them. |
| BLK | Bulk consumer unit (GS1 Permanent Code) The item is designed as a bulk consumer unit, i.e. to be sold mainly to hotels, restaurants, caterers, hospitals etc. |
| BU | Base unit (GS1 Permanent Code) The lowest level packaged unit for a given product, which may or may not be the consumer unit. |
| CA | Case (GS1 Permanent Code) A standard trade item shipping unit. |
| CIT | Collateral Item (GS1 Permanent Code) A trade item delivered from a manufacturer to the retail selling floor that is not considered inventory and has no retail value. |
| CMP | Composition (GS1 Permanent Code) The item is included in a dynamic assortment. |
| CSF | Display material (GS1 Permanent Code) A shopping unit that is a display. |

Used Codes

| | |
|-----|---|
| CSG | Full display stand (GS1 Permanent Code) A trade item given to a consumer as part of a promotional event on another item or items. |
| CTO | Cut to order (GS1 Permanent Code) A unit load that is a "display ready pallet" and is intended to go directly to the selling floor. |
| CU | Consumer unit (GS1 Permanent Code) A group of trade items (the same or different) that are intended to be sold as a single consumer unit at the Point-of-Sale. |
| D | Available all the year round (GS1 Permanent Code) A unit load that could contain multiple packages. |
| DAS | Dynamic Assortment (GS1 Permanent Code) The item is included in a dynamic assortment. |
| DF | Default (GS1 Permanent Code) A logistical unit or a consumer unit between a case and a each. |
| DIC | Discount coupon (GS1 Permanent Code) A coupon that entitles to a discount. |
| DSP | Display shipper (GS1 Permanent Code) A shopping unit that is a display. |
| DST | Display stand (GS1 Permanent Code) A trade item given to a consumer as part of a promotional event on another item or items. |
| DU | Despatch unit (GS1 Permanent Code) The package size of a product or products which may be shipped when fulfilling an order. |
| ETO | Engineer to Order (GS1 Permanent Code) Engineer to Order includes products that are designed, developed and manufactured in response to a specific customer request. |
| F01 | Caught (GS1 Permanent Code) Caught at sea |
| F02 | Caught in freshwater (GS1 Permanent Code) Caught in freshwater |
| F03 | Farmed (GS1 Permanent Code) Farmed |
| F04 | Cultivated (GS1 Permanent Code) Cultivated |
| FEM | Female (GS1 Permanent Code) Female gender. |

Used Codes

| | |
|-----|---|
| FS | Available in spring-summer (GS1 Permanent Code) The product is available in the spring-summer period. |
| FZ1 | Previously frozen (GS1 Permanent Code) Previously frozen |
| FZ2 | Not previously frozen (GS1 Permanent Code) Not previously frozen |
| GWP | Gift with purchase (GS1 Permanent Code) A trade item given to a consumer as part of a promotional event on another item or items. |
| HN | Handling unit (GS1 Permanent Code) The package size of a product which will be used when transporting and storing the product. |
| HW | Available in autumn-winter (GS1 Permanent Code) The product is available in the autumn-winter period. |
| IF1 | IF <> THEN <> ENDIF (GS1 Permanent Code) E.G., IF <customer chooses node number 1332> THEN <action (taken from DE 1229 of LIN) to node number 1773> ENDIF. |
| IF2 | IF NOT <> THEN <> ENDIF (GS1 CPermanent ode) E.G., IF NOT <customer does not choose node number 1332> THEN <action (taken from DE 1229 of LIN) to node number 1773> ENDIF. |
| IF3 | IF <> AND (GS1 Permanent Code) E.G., IF <customer chooses node number 1332> AND (followed by another repeat of IMD with another rule). |
| IF4 | IF NOT <> AND (GS1 Permanent Code) E.G., IF NOT <customer does not choose node number 1332> AND (followed by another repeat of IMD with another rule). |
| IF5 | IF <> OR (GS1 Permanent Code) E.G., IF <customer chooses node number 1332> OR (followed by another repeat of IMD with another rule). |
| IF6 | IF NOT <> OR (GS1 Permanent Code) E.G., IF NOT <customer does not choose node number 1332> OR (followed by another repeat of IMD with another rule). |
| IF7 | IF <> XOR (GS1 Permanent Code) E.G., IF <customer chooses node number 1332> XOR (followed by another repeat of IMD with another rule). |
| IF8 | IF NOT <> XOR (GS1 Permanent Code) E.G., IF NOT <customer does not choose node number 1332> XOR (followed by another repeat of IMD with another rule). |

Used Codes

| | |
|-----|--|
| IN | Invoicing unit (GS1 Permanent Code) The package size of a product or products which will be used as the unit on which the buyer is invoiced. |
| IT | Intermediate unit (GS1 Permanent Code) A package size of a product or products falling in between two predefined package sizes. |
| MA | Mandatory (GS1 Permanent Code) An option of a Customer Specific Article which is mandatory in the configuration of the base article, e.g. it is mandatory to have legs when ordering a CSA table. |
| MAL | Male (GS1 Permanent Code) Male gender. |
| MM | Mixed module (GS1 Permanent Code) A unit load that is a "display ready pallet" and is intended to go directly to the selling floor. |
| MOD | Model (GS1 Permanent Code) The identification of an article as a high level model of a product, e.g. spring fashions. |
| MP | Multipack (GS1 Permanent Code) A group of trade items (the same or different) that are intended to be sold as a single consumer unit at the Point-of-Sale. |
| MTO | Make to Order (GS1 Permanent Code) A Make to Order environment is one in which products are completed after receipt of a customer order and are built or configured only in response to a customer order. |
| MTS | Make to Stock (GS1 Permanent Code) Make to Stock products are intended to be shipped from finished goods or 'off the shelf', are completed prior to receipt of a customer order, and are generally produced in accordance with sales forecasts. |
| NAR | Next Article (GS1 Permanent Code) An indication that what follows is a set of linked articles, a certain number of these linked articles should be chosen. |
| NBU | Not a base unit (GS1 Permanent Code) Not the lowest level packaged unit for a given product, which may or may not be the consumer unit. |
| NCU | Not a consumer unit (GS1 Permanent Code) The current base item or packaging item is not a consumer unit, i.e. is not a pre-packaging that is intended and labelled or marked for consumers according to legal requirements. |
| ND | Non divisible item (GS1 Permanent Code) The item is not divisible. |

Used Codes

| | |
|-----|--|
| NDU | <p>Not a despatch unit (GS1 Permanent Code)</p> <p>The current base item or packaging item is not a regular logistical despatch unit, i.e. it is as a rule only delivered as many within a further repackaging, and not as an individual logistics item.</p> |
| NFR | <p>Not For Resale (GS1 Permanent Code)</p> <p>Item is not for resale to consumer.</p> |
| NIN | <p>Not an invoicing unit (GS1 Permanent Code)</p> <p>The current base item or packaging item is not an invoicing unit of the data supplier, i.e. cannot be invoiced individually but only as one of many in a repackaging or transport packaging item.</p> |
| NLK | <p>Not a bulk consumer unit (GS1 Permanent Code)</p> <p>The item is not designed as a bulk consumer unit, i.e. to be sold mainly to hotels, restaurants, caterers, hospitals etc.</p> |
| NO | <p>Not an ordering unit (GS1 Permanent Code)</p> <p>A package size of a product or products which may not be ordered.</p> |
| NOS | <p>Yes, NOS item (GS1 Permanent Code)</p> <p>The current item is an NOS (Never out of stock) article, that is continuously reordered and replenished.</p> |
| NOT | <p>Not, not an NOS item (GS1 Permanent Code)</p> <p>The current item is not an NOS (Never out of stock) article, therefore is not continuously reordered and replenished.</p> |
| NOV | <p>Next option value (GS1 Permanent Code)</p> <p>An indication that what follows is a set of linked option values, next option values, or parameters.</p> |
| NPC | <p>Reusable container, but not standardized by a pool cooperative (GS1 Permanent Code)</p> <p>Reusable container that is not standardized by a pool cooperative.</p> |
| NRC | <p>Non-returnable container (GS1 Permanent Code)</p> <p>The current product is not traditionally a traded product and does not need to be returned to the sender.</p> |
| NRE | <p>Not a retail product (GS1 Permanent Code)</p> <p>The current item is not meant for retail sale, but only for sale to hotels, restaurants and catering.</p> |
| NS | <p>Not smallest unit (GS1 Permanent Code)</p> <p>Not the smallest unit for a given product.</p> |
| NSU | <p>Non-standard unit (GS1 Permanent Code)</p> <p>Products grouped together to fulfil specific ordering needs and not generally available.</p> |
| NVQ | <p>Not a variable quantity product (GS1 Permanent Code)</p> <p>The current item is a variable weight trade item, for which the weight and the quantity is determined only by the buyer.</p> |

Used Codes

| | |
|-----|--|
| OP | Option (GS1 Permanent Code) An option within a Customer Specific Article which does not exist on its own, e.g. colour, and which has discrete values. |
| OPL | Overall product level (GS1 Permanent Code) An overall level whereby many products are grouped on the basis of their composition, application and characteristics (e.g. Coca Cola with no size, packaging, price, etc, specified). |
| OPV | Option value (GS1 Permanent Code) The result of a choice of an option. The option value will be the lowest level of a branch beneath an option structure. |
| ORU | Ordering unit (GS1 Permanent Code) Indication that the current product is an ordering unit (ordering unit will not normally equal invoicing unit). |
| PA | Numeric parameter (GS1 Permanent Code) An option of a Customer Specific Article which has a continuous numeric value, e.g., measurement of the length of a chair leg between 60cms and 80cms. |
| PAA | Alpha-numeric parameter (GS1 Permanent Code) An option of a Customer Specific Article which has a continuous alpha-numeric value, e.g., words and numbers to be embroidered into a cushion cover. |
| PAD | Promotional article description (GS1 Permanent Code) Description of a promotional article. |
| PAL | Pallet (GS1 Permanent Code) A unit load that could contain multiple packages. |
| PAS | Prepack assortment (GS1 Permanent Code) Contains multiple components, each of which represents a unique consumer unit item. |
| PIP | Packer or inner pack (GS1 Permanent Code) A logistical unit or a consumer unit between a case and a each. |
| PPK | Prepack (GS1 Permanent Code) Contains multiple components, each of which represents a unique consumer unit item. |
| PR1 | Bonus Pack (GS1 Permanent Code) The free quantity promotional trade item contains free additional quantities. The additional quantity is written on the package as free. |
| PR2 | Free components (GS1 Permanent Code) It contains free included components or material. The price is lower since the trade item includes a part of its content free. The free quantity is written on the package. |

Used Codes

| | |
|-----|--|
| PR3 | <p>Free quantity (GS1 Permanent Code)</p> <p>It contains free quantity, a "special offer" sticker on the package indicates the promotional offer but the free quantity is not written on the package. If the free quantity promotional offer results in a change of GTIN and the quantity of product is the same as the standard trade item, it qualifies as a free quantity promotional trade item. The linkage has to be provided.</p> |
| PR4 | <p>Multi-pack and combination pack (GS1 Permanent Code)</p> <p>It is a promotional grouping with included free quantity. The grouping is created for promotional activities only. In the grouping a part of the quantity is free.</p> |
| PRO | <p>Programme (GS1 Permanent Code)</p> <p>A programme within a Customer Specific Article which does not exist on its own.</p> |
| PWP | <p>Purchase with purchase (GS1 Permanent Code)</p> <p>A trade item sold to a consumer at a special price as part of a promotional event, contingent on the consumer purchasing another item or items.</p> |
| RC | <p>Returnable container (GS1 Permanent Code)</p> <p>The current product is not traditionally a traded product but one which should be returned according to separate instructions.</p> |
| RD | <p>Refundable deposit item (GS1 Permanent Code)</p> <p>Item is subject to a refundable deposit.</p> |
| RE | <p>Retail product (GS1 Permanent Code)</p> <p>The current item is meant for retail sale only, and not for sale to hotels, restaurants and catering.</p> |
| RPC | <p>Reusable pool container (GS1 Permanent Code)</p> <p>Reusable container standardized by a pool cooperative.</p> |
| SER | <p>Service (GS1 Permanent Code)</p> <p>A code identifying the current item as a service (i.e. not a physical product).</p> |
| SG | <p>Standard group of products (mixed assortment) (GS1 Permanent Code)</p> <p>A standard package containing different products enabling the package to be ordered, delivered and invoiced.</p> |
| SMR | <p>Summer (GS1 Permanent Code)</p> <p>Summer season.</p> |
| SPK | <p>Setpack (GS1 Permanent Code)</p> <p>Contains multiple components, each of which represents a unique consumer unit item.</p> |
| SPR | <p>Spring (GS1 Permanent Code)</p> <p>Spring season.</p> |
| SU | <p>Smallest unit (GS1 Permanent Code)</p> <p>The smallest usable or tradeable size or unit for a given product.</p> |

Used Codes

| | |
|-----|--|
| TU | Traded unit (GS1 Permanent Code) The package size of a product or products which has been agreed by trading partners as the size which may be ordered, delivered and invoiced. |
| UNI | Unisex (GS1 Permanent Code) No gender. |
| VQ | Variable quantity product (GS1 Permanent Code) Product is used or traded in continuous rather than discrete quantities. |
| WNT | Winter (GS1 Permanent Code) Winter season. |
| XX1 | Count (GS1 Permanent Code) The measure applied to price is count. |
| XX2 | Area (GS1 Permanent Code) The measure applied to price is area. |
| XX3 | Weight (GS1 Permanent Code) The measure applied to price is weight. |
| XX4 | Volume (GS1 Permanent Code) The measure applied to price is volume. |
| XX5 | Length (GS1 Permanent Code) The measure applied to price is length. |
| XX6 | Loose (GS1 Permanent Code) A trade item which is without packaging at the retail level. |
| XX7 | Pre-packed (GS1 Permanent Code) A variable-measure trade item which is provided with packaging that is assembled or produced by the supplier or by the retailer in advance of sale to the consumer. |
| XX8 | Fixed discount coupon on item price (GS1 Permanent Code) A discount coupon that can be redeemed at the point of sale for a fixed amount when purchasing a specific item/brand/range. |
| XX9 | Fixed discount coupon on purchase amount (GS1 Permanent Code) A discount coupon that can be redeemed at the point of sale for a fixed amount on the total amount of the purchase. |
| XY1 | Percentage discount on item price (GS1 Permanent Code) A discount coupon that can be redeemed at the point of sale for a percentage of the specific item/brand/range value. |
| XY2 | Percentage discount on purchase amount (GS1 Permanent Code) A discount coupon that can be redeemed at the point of sale for a percentage of the total amount of the purchase. |
| XY3 | Meal voucher (GS1 Permanent Code) Fixed amount voucher that can be redeemed at foodservice industry. |

Used Codes

| | |
|-------------|---|
| XY4 | Limited Edition (GS1 Permanent Code) A product with limited edition is restricted in the number of copies produced, although in fact the number may be very low or very high. A special edition implies there is extra material of some kind included. |
| XY5 | One Shot Product (GS1 Permanent Code) The trading partners agree to supply/buy this product only once. Afterwards this product will not be supplied/bought any more. |
| XY6 | Fee (GS1 Permanent Code) Code identify the GTIN of LIN segment as being fees. |
| XY7 | Brokerage (GS1 Permanent Code) Code identify the GTIN of LIN segment as being brokerages. |
| XY8 | Transport medium unit (GS1 Permanent Code) Code identify the position as a Transport Medium Unit (Pallet, Container,). |
| XY9 | Counted measurand factor (GS1 Permanent Code) Factor for price calculation of energy products, e.g. gas, fuel. |
| XZ1 | Standard condition conversion (GS1 Permanent Code) The ratio of a product volume (e.g. gas) in standard conditions to the volume in the operating state. |
| XZ2 | Calorific value (GS1 Permanent Code) The calorific value of a fuel indicates the amount of heat generated by the combustion and subsequent cooling of the combustion gases at 25 degrees Celsius. |
| XZ3 | Food contact allowed (GS1 Temporary Code) The trade item is allowed to have direct contact with food. |
| XZ4 | Food contact not allowed (GS1 Temporary Code) The trade item is not allowed to have direct contact with food. |
| 7065 | Package type description code Code specifying the type of package. Notes: 1. Recommend use UN/ECE Recommendation No. 21 (also, see current volume of UNTDED). |
| 43 | Bag, super bulk |
| 44 | Bag, polybag A type of plastic bag, typically used to wrap promotional pieces, publications, product samples, and/or catalogues. |
| 1A | Drum, steel |
| 1B | Drum, aluminium |
| 1D | Drum, plywood |

Used Codes

| | |
|----|---|
| 1F | Container, flexible A packaging container of flexible construction. |
| 1G | Drum, fibre |
| 1W | Drum, wooden |
| 2C | Barrel, wooden |
| 3A | Jerrican, steel |
| 3H | Jerrican, plastic |
| 4A | Box, steel |
| 4B | Box, aluminium |
| 4C | Box, natural wood |
| 4D | Box, plywood |
| 4F | Box, reconstituted wood |
| 4G | Box, fibreboard |
| 4H | Box, plastic |
| 5H | Bag, woven plastic |
| 5L | Bag, textile |
| 5M | Bag, paper |
| 6H | Composite packaging, plastic receptacle |
| 6P | Composite packaging, glass receptacle |
| 7A | Case, car A type of portable container designed to store equipment for carriage in an automobile. |
| 7B | Case, wooden A case made of wood for retaining substances or articles. |
| 8A | Pallet, wooden A platform or open-ended box, made of wood, on which goods are retained for ease of mechanical handling during transport and storage. |
| 8B | Crate, wooden A receptacle, made of wood, on which goods are retained for ease of mechanical handling during transport and storage. |
| 8C | Bundle, wooden Loose or unpacked pieces of wood tied or wrapped together. |
| AA | Intermediate bulk container, rigid plastic |
| AB | Receptacle, fibre |
| AC | Receptacle, paper |

Used Codes

| | |
|----|--|
| AD | Receptacle, wooden |
| AE | Aerosol |
| AF | Pallet, modular, collars 80cms × 60cms |
| AG | Pallet, shrinkwrapped |
| AH | Pallet, 100cms × 110cms |
| AI | Clamshell |
| AJ | Cone |
| AL | Ball A spherical containment vessel for retaining substances or articles. |
| AM | Ampoule, non-protected |
| AP | Ampoule, protected |
| AT | Atomizer |
| AV | Capsule |
| B4 | Belt A band use to retain multiple articles together. |
| BA | Barrel |
| BB | Bobbin |
| BC | Bottlecrate / bottlerack |
| BD | Board |
| BE | Bundle |
| BF | Balloon, non-protected |
| BG | Bag |
| BH | Bunch |
| BI | Bin |
| BJ | Bucket |
| BK | Basket |
| BL | Bale, compressed |
| BM | Basin |
| BN | Bale, non-compressed |
| BO | Bottle, non-protected, cylindrical |
| BP | Balloon, protected |
| BQ | Bottle, protected cylindrical |
| BR | Bar |
| BS | Bottle, non-protected, bulbous |

Used Codes

| | |
|----|---|
| BT | Bolt |
| BU | Butt |
| BV | Bottle, protected bulbous |
| BW | Box, for liquids |
| BX | Box |
| BY | Board, in bundle/bunch/truss |
| BZ | Bars, in bundle/bunch/truss |
| CA | Can, rectangular |
| CB | Crate, beer |
| CC | Churn |
| CD | Can, with handle and spout |
| CE | Creel |
| CF | Coffer |
| CG | Cage |
| CH | Chest |
| CI | Canister |
| CJ | Coffin |
| CK | Cask |
| CL | Coil |
| CM | Card |
| CN | Container, not otherwise specified as transport equipment |
| CO | Carboy, non-protected |
| CP | Carboy, protected |
| CQ | Cartridge |
| CR | Crate |
| CS | Case |
| CT | Carton |
| CU | Cup |
| CV | Cover |
| CW | Cage, roll |
| CX | Can, cylindrical |
| CY | Cylinder |
| CZ | Canvas |

Used Codes

| | |
|----|--|
| DA | Crate, multiple layer, plastic |
| DB | Crate, multiple layer, wooden |
| DC | Crate, multiple layer, cardboard |
| DG | Cage, Commonwealth Handling Equipment Pool (CHEP) |
| DH | Box, Commonwealth Handling Equipment Pool (CHEP), Eurobox |
| DI | Drum, iron |
| DJ | Demijohn, non-protected |
| DK | Crate, bulk, cardboard |
| DL | Crate, bulk, plastic |
| DM | Crate, bulk, wooden |
| DN | Dispenser |
| DP | Demijohn, protected |
| DR | Drum |
| DS | Tray, one layer no cover, plastic |
| DT | Tray, one layer no cover, wooden |
| DU | Tray, one layer no cover, polystyrene |
| DV | Tray, one layer no cover, cardboard |
| DW | Tray, two layers no cover, plastic tray |
| DX | Tray, two layers no cover, wooden |
| DY | Tray, two layers no cover, cardboard |
| EC | Bag, plastic |
| ED | Case, with pallet base |
| EE | Case, with pallet base, wooden |
| EF | Case, with pallet base, cardboard |
| EG | Case, with pallet base, plastic |
| EH | Case, with pallet base, metal |
| EI | Case, isothermic |
| EN | Envelope |
| FB | Flexibag A flexible containment bag made of plastic, typically for the transportation bulk non-hazardous cargoes using standard size shipping containers. |
| FC | Crate, fruit |
| FD | Crate, framed |

Used Codes

| | |
|----|--|
| FE | Flexitank A flexible containment tank made of plastic, typically for the transportation bulk non-hazardous cargoes using standard size shipping containers. |
| FI | Firkin |
| FL | Flask |
| FO | Footlocker |
| FP | Filmpack |
| FR | Frame |
| FT | Foodtainer |
| FW | Cart, flatbed Wheeled flat bedded device on which trays or other regular shaped items are packed for transportation purposes. |
| FX | Bag, flexible container |
| GB | Bottle, gas |
| GI | Girder |
| GL | Container, gallon A container with a capacity of one gallon. |
| GR | Receptacle, glass |
| GU | Tray, containing horizontally stacked flat items Tray containing flat items stacked on top of one another. |
| GY | Bag, gunny A sack made of gunny or burlap, used for transporting coarse commodities, such as grains, potatoes, and other agricultural products. |
| GZ | Girders, in bundle/bunch/truss |
| HA | Basket, with handle, plastic |
| HB | Basket, with handle, wooden |
| HC | Basket, with handle, cardboard |
| HG | Hogshead |
| HN | Hanger A purpose shaped device with a hook at the top for hanging items from a rail. |
| HR | Hamper |
| IA | Package, display, wooden |
| IB | Package, display, cardboard |
| IC | Package, display, plastic |
| ID | Package, display, metal |

Used Codes

| | |
|----|--|
| IE | Package, show |
| IF | Package, flow |
| IG | Package, paper wrapped |
| IH | Drum, plastic |
| IK | Package, cardboard, with bottle grip-holes |
| IL | Tray, rigid, lidded stackable (CEN TS 14482:2002) Lidded stackable rigid tray compliant with CEN TS 14482:2002. |
| IN | Ingot |
| IZ | Ingots, in bundle/bunch/truss |
| JB | Bag, jumbo A flexible containment bag, widely used for storage, transportation and handling of powder, flake or granular materials. Typically constructed from woven polypropylene (PP) fabric in the form of cubic bags. |
| JC | Jerrican, rectangular |
| JG | Jug |
| JR | Jar |
| JT | Jutebag |
| JY | Jerrican, cylindrical |
| KG | Keg |
| KI | Kit A set of articles or implements used for a specific purpose. |
| LE | Luggage A collection of bags, cases and/or containers which hold personal belongings for a journey. |
| LG | Log |
| LT | Lot |
| LU | Lug A wooden box for the transportation and storage of fruit or vegetables. |
| LV | Liftvan |
| LZ | Logs, in bundle/bunch/truss |
| MA | Crate, metal Containment box made of metal for retaining substances or articles. |
| MB | Bag, multiply |
| MC | Crate, milk |

Used Codes

| | |
|----|--|
| ME | Container, metal A type of containment box made of metal for retaining substances or articles, not otherwise specified as transport equipment. |
| MR | Receptacle, metal |
| MS | Sack, multi-wall |
| MT | Mat |
| MW | Receptacle, plastic wrapped |
| MX | Matchbox |
| NA | Not available |
| NE | Unpacked or unpackaged |
| NF | Unpacked or unpackaged, single unit |
| NG | Unpacked or unpackaged, multiple units |
| NS | Nest |
| NT | Net |
| NU | Net, tube, plastic |
| NV | Net, tube, textile |
| O1 | Two sided cage on wheels with fixing strap A two sided cage mounted on wheels with fixing strap. Dimensions: 900 x 770 x 1513 cm (length x width x height). |
| O2 | Trolley A low cart for the transportation and storage of groceries, milk, etc. |
| O3 | Oneway pallet ISO 0 - 1/2 EURO Pallet Oneway pallet with dimensions 80 X 60 cm. |
| O4 | Oneway pallet ISO 1 - 1/1 EURO Pallet Oneway pallet with dimensions 80 X 120 cm. |
| O5 | Oneway pallet ISO 2 - 2/1 EURO Pallet Oneway pallet with dimensions 100 X 120 cm. |
| O6 | Pallet with exceptional dimensions Pallet with non-standard dimensions. |
| O7 | Wooden pallet 40 cm x 80 cm Wooden pallet with dimensions 40 cm x 80 cm. |
| O8 | Plastic pallet SRS 60 cm x 80 cm SRS (Svenska Retursystem) standard synthetic pallet of dimensions 60 cm x 80 cm. |
| O9 | Plastic pallet SRS 80 cm x 120 cm SRS (Svenska Retursystem) standard synthetic pallet of dimensions 80 cm x 120 cm. |

Used Codes

| | |
|----|---|
| OA | Pallet, CHEP 40 cm x 60 cm CHEP standard pallet of dimensions 40 centimeters x 60 centimeters. |
| OB | Pallet, CHEP 80 cm x 120 cm CHEP standard pallet of dimensions 80 centimeters x 120 centimeters. |
| OC | Pallet, CHEP 100 cm x 120 cm CHEP standard pallet of dimensions 100 centimeters x 120 centimeters. |
| OD | Pallet, AS 4068-1993 Australian standard pallet of dimensions 115.5 centimeters x 116.5 centimeters. |
| OE | Pallet, ISO T11 ISO standard pallet of dimensions 110 centimeters x 110 centimeters, prevalent in Asia - Pacific region. |
| OF | Platform, unspecified weight or dimension A pallet equivalent shipping platform of unknown dimensions or unknown weight. |
| OG | Pallet ISO 0 - 1/2 EURO Pallet Standard pallet with dimensions 80 X 60 cm. |
| OH | Pallet ISO 1 - 1/1 EURO Pallet Standard pallet with dimensions 80 X 120 cm. |
| OI | Pallet ISO 2 - 2/1 EURO Pallet Standard pallet with dimensions 100 X 120 cm. |
| OJ | 1/4 EURO Pallet Standard pallet with dimensions 60 X 40 cm. |
| OK | Block A solid piece of a hard substance, such as granite, having one or more flat sides. |
| OL | 1/8 EURO Pallet Standard pallet with dimensions 40 X 30 cm. |
| OM | Synthetic pallet ISO 1 A standard pallet with standard dimensions 80 x 120cm made of a synthetic material for hygienic reasons. |
| ON | Synthetic pallet ISO 2 A standard pallet with standard dimensions 100 x 120cm made of a synthetic material for hygienic reasons. |
| OP | Wholesaler pallet Pallet provided by the wholesaler. |
| OQ | Pallet 80 X 100 cm Pallet with dimensions 80 X 100 cm. |

Used Codes

| | |
|----|--|
| OR | Pallet 60 X 100 cm Pallet with dimensions 60 X 100 cm. |
| OS | Oneway pallet Pallet need not be returned to the point of expedition. |
| OT | Octabin A standard cardboard container of large dimensions for storing for example vegetables, granules of plastics or other dry products. |
| OU | Container, outer A type of containment box that serves as the outer shipping container, not otherwise specified as transport equipment. |
| OV | Returnable pallet Pallet must be returned to the point of expedition. |
| OW | Large bag, pallet sized A non-rigid container made of fabric, paper, plastic, etc, with an opening at the top which can be closed and which is suitable for use on pallets. |
| OX | A wheeled pallet with raised rim (81 x 67 x 135) A wheeled pallet with raised rim for the storing and transporting of loads. Dimensions: 81 x 67 x 135 cm (length x width x height). |
| OY | A wheeled pallet with raised rim (81 x 72 x 135) A wheeled pallet with raised rim for the storing and transporting of loads. Dimensions: 81 x 72 x 135 cm (length x width x height). |
| OZ | A wheeled pallet with raised rim (81 x 60 x 16) A wheeled pallet with raised rim for the storing and transporting of loads. Dimensions: 81 x 60 x 16 cm (length x width x height). |
| P1 | CHEP pallet 60 cm x 80 cm Commonwealth Handling Equipment Pool (CHEP) standard pallet of dimensions 60 centimeters x 80 centimeters. |
| P2 | Pan A shallow, wide, open container, usually of metal. |
| P3 | LPR pallet 60 cm x 80 cm LPR (La Pallet Rouge) standard pallet of dimensions 60 cm x 80 cm. |
| P4 | LPR pallet 80 cm x 120 cm LPR (La Pallet Rouge) standard pallet of dimensions 80 cm x 120 cm. |
| PA | Packet |
| PB | Pallet, box |
| PC | Parcel |
| PD | Pallet, modular, collars 80cms * 100cms |
| PE | Pallet, modular, collars 80cms * 120cms |

Used Codes

| | |
|----|--|
| PF | Pen |
| PG | Plate |
| PH | Pitcher |
| PI | Pipe |
| PJ | Punnet |
| PK | Package |
| PL | Pail |
| PN | Plank |
| PO | Pouch |
| PP | Piece A loose or unpacked article. |
| PR | Receptacle, plastic |
| PT | Pot |
| PU | Tray pack |
| PV | Pipes, in bundle/bunch/truss |
| PX | Pallet |
| PY | Plates, in bundle/bunch/truss |
| PZ | Planks, in bundle/bunch/truss |
| QA | Drum, steel, non-removable head |
| QB | Drum, steel, removable head |
| QC | Drum, aluminium, non-removable head |
| QD | Drum, aluminium, removable head |
| QF | Drum, plastic, non-removable head |
| QG | Drum, plastic, removable head |
| QH | Barrel, wooden, bung type |
| QJ | Barrel, wooden, removable head |
| QK | Jerrican, steel, non-removable head |
| QL | Jerrican, steel, removable head |
| QM | Jerrican, plastic, non-removable head |
| QN | Jerrican, plastic, removable head |
| QP | Box, wooden, natural wood, ordinary |
| QQ | Box, wooden, natural wood, with sift proof walls |
| QR | Box, plastic, expanded |

Used Codes

| | |
|----|---|
| QS | Box, plastic, solid |
| RD | Rod |
| RG | Ring |
| RJ | Rack, clothing hanger |
| RK | Rack |
| RL | Reel |
| RO | Roll |
| RT | Rednet |
| RZ | Rods, in bundle/bunch/truss |
| SA | Sack |
| SB | Slab |
| SC | Crate, shallow |
| SD | Spindle |
| SE | Sea-chest |
| SH | Sachet |
| SI | Skid |
| SK | Case, skeleton |
| SL | Slipsheet |
| SM | Sheetmetal |
| SO | Spool |
| SP | Sheet, plastic wrapping |
| SS | Case, steel |
| ST | Sheet |
| SU | Suitcase |
| SV | Envelope, steel |
| SW | Shrinkwrapped |
| SY | Sleeve |
| SZ | Sheets, in bundle/bunch/truss |
| T1 | Tablet A loose or unpacked article in the form of a bar, block or piece. |
| TB | Tub |
| TC | Tea-chest |
| TD | Tube, collapsible |

Used Codes

| | |
|----|--|
| TE | Tyre A ring made of rubber and/or metal surrounding a wheel. |
| TG | Tank container, generic A specially constructed container for transporting liquids and gases in bulk. |
| TI | Tierce TI |
| TK | Tank, rectangular |
| TL | Tub, with lid |
| TN | Tin |
| TO | Tun |
| TR | Trunk |
| TS | Truss |
| TT | Bag, tote A capacious bag or basket. |
| TU | Tube |
| TV | Tube, with nozzle |
| TW | Pallet, triwall A lightweight pallet made from heavy duty corrugated board. |
| TY | Tank, cylindrical |
| TZ | Tubes, in bundle/bunch/truss |
| UC | Uncaged |
| UN | Unit A type of package composed of a single item or object, not otherwise specified as a unit of transport equipment. |
| VA | Vat |
| VG | Bulk, gas (at 1031 mbar and 15 degree C) |
| VI | Vial |
| VK | Vanpack |
| VL | Bulk, liquid |
| VN | Vehicle A self-propelled means of conveyance. |
| VO | Bulk, solid, large particles ("nodules") |
| VP | Vacuum-packed |
| VQ | Bulk, liquefied gas (at abnormal temperature/pressure) |
| VR | Bulk, solid, granular particles ("grains") |

Used Codes

| | |
|----|--|
| VS | Bulk, scrap metal Loose or unpacked scrap metal transported in bulk form. |
| VY | Bulk, solid, fine particles ("powders") |
| WA | Intermediate bulk container |
| WB | Wickerbottle |
| WC | Intermediate bulk container, steel |
| WD | Intermediate bulk container, aluminium |
| WF | Intermediate bulk container, metal |
| WG | Intermediate bulk container, steel, pressurised > 10 kpa |
| WH | Intermediate bulk container, aluminium, pressurised > 10 kpa |
| WJ | Intermediate bulk container, metal, pressure 10 kpa |
| WK | Intermediate bulk container, steel, liquid |
| WL | Intermediate bulk container, aluminium, liquid |
| WM | Intermediate bulk container, metal, liquid |
| WN | Intermediate bulk container, woven plastic, without coat/liner |
| WP | Intermediate bulk container, woven plastic, coated |
| WQ | Intermediate bulk container, woven plastic, with liner |
| WR | Intermediate bulk container, woven plastic, coated and liner |
| WS | Intermediate bulk container, plastic film |
| WT | Intermediate bulk container, textile with out coat/liner |
| WU | Intermediate bulk container, natural wood, with inner liner |
| WV | Intermediate bulk container, textile, coated |
| WW | Intermediate bulk container, textile, with liner |
| WX | Intermediate bulk container, textile, coated and liner |
| WY | Intermediate bulk container, plywood, with inner liner |
| WZ | Intermediate bulk container, reconstituted wood, with inner liner |
| XA | Bag, woven plastic, without inner coat/liner |
| XB | Bag, woven plastic, sift proof |
| XC | Bag, woven plastic, water resistant |
| XD | Bag, plastics film |
| XF | Bag, textile, without inner coat/liner |
| XG | Bag, textile, sift proof |
| XH | Bag, textile, water resistant |

Used Codes

| | |
|----|--|
| XJ | Bag, paper, multi-wall |
| XK | Bag, paper, multi-wall, water resistant |
| YA | Composite packaging, plastic receptacle in steel drum |
| YB | Composite packaging, plastic receptacle in steel crate box |
| YC | Composite packaging, plastic receptacle in aluminium drum |
| YD | Composite packaging, plastic receptacle in aluminium crate |
| YF | Composite packaging, plastic receptacle in wooden box |
| YG | Composite packaging, plastic receptacle in plywood drum |
| YH | Composite packaging, plastic receptacle in plywood box |
| YJ | Composite packaging, plastic receptacle in fibre drum |
| YK | Composite packaging, plastic receptacle in fibreboard box |
| YL | Composite packaging, plastic receptacle in plastic drum |
| YM | Composite packaging, plastic receptacle in solid plastic box |
| YN | Composite packaging, glass receptacle in steel drum |
| YP | Composite packaging, glass receptacle in steel crate box |
| YQ | Composite packaging, glass receptacle in aluminium drum |
| YR | Composite packaging, glass receptacle in aluminium crate |
| YS | Composite packaging, glass receptacle in wooden box |
| YT | Composite packaging, glass receptacle in plywood drum |
| YV | Composite packaging, glass receptacle in wickerwork hamper |
| YW | Composite packaging, glass receptacle in fibre drum |
| YX | Composite packaging, glass receptacle in fibreboard box |
| YY | Composite packaging, glass receptacle in expandable plastic pack |
| YZ | Composite packaging, glass receptacle in solid plastic pack |
| ZA | Intermediate bulk container, paper, multi-wall |
| ZB | Bag, large |
| ZC | Intermediate bulk container, paper, multi-wall, water resistant |
| ZD | Intermediate bulk container, rigid plastic, with structural equipment, solids |
| ZF | Intermediate bulk container, rigid plastic, freestanding, solids |
| ZG | Intermediate bulk container, rigid plastic, with structural equipment, pressurised |
| ZH | Intermediate bulk container, rigid plastic, freestanding, pressurised |
| ZJ | Intermediate bulk container, rigid plastic, with structural equipment, liquids |
| ZK | Intermediate bulk container, rigid plastic, freestanding, liquids |

Used Codes

| | |
|-----|--|
| ZL | Intermediate bulk container, composite, rigid plastic, solids |
| ZM | Intermediate bulk container, composite, flexible plastic, solids |
| ZN | Intermediate bulk container, composite, rigid plastic, pressurised |
| ZP | Intermediate bulk container, composite, flexible plastic, pressurised |
| ZQ | Intermediate bulk container, composite, rigid plastic, liquids |
| ZR | Intermediate bulk container, composite, flexible plastic, liquids |
| ZS | Intermediate bulk container, composite |
| ZT | Intermediate bulk container, fibreboard |
| ZU | Intermediate bulk container, flexible |
| ZV | Intermediate bulk container, metal, other than steel |
| ZW | Intermediate bulk container, natural wood |
| ZX | Intermediate bulk container, plywood |
| ZY | Intermediate bulk container, reconstituted wood |
| ZZ | Mutually defined |
| 08 | Oneway pallet (GS1 Temporary Code) Pallet need not be returned to the point of expedition. |
| 09 | Returnable pallet (GS1 Temporary Code) Pallet must be returned to the point of expedition. |
| 200 | Pallet ISO 0 - 1/2 EURO Pallet (GS1 Temporary Code) Standard pallet with dimensions 80 X 60 cm. |
| 201 | Pallet ISO 1 - 1/1 EURO Pallet (GS1 Temporary Code) Standard pallet with dimensions 80 X 120 cm. |
| 202 | Pallet ISO 2 (GS1 Temporary Code) Standard pallet with dimensions 100 X 120 cm. |
| 203 | 1/4 EURO Pallet (GS1 Temporary Code) Standard pallet with dimensions 60 X 40 cm. |
| 204 | 1/8 EURO Pallet (GS1 Temporary Code) Standard pallet with dimensions 40 X 30 cm. |
| 205 | Synthetic pallet ISO 1 (GS1 Temporary Code) A standard pallet with standard dimensions 80*120cm made of a synthetic material for hygienic reasons. |
| 206 | Synthetic pallet ISO 2 (GS1 Temporary Code) A standard pallet with standard dimensions 100*120cm made of a synthetic material for hygienic reasons. |
| 210 | Wholesaler pallet (GS1 Temporary Code) Pallet provided by the wholesaler. |

Used Codes

| | |
|-----|--|
| 211 | Pallet 80 X 100 cm (GS1 Temporary Code) Pallet with dimensions 80 X 100 cm. |
| 212 | Pallet 60 X 100 cm (GS1 Temporary Code) Pallet with dimensions 60 X 100 cm. |
| AH | Pallet 100cms * 110cms Standard sized pallet of dimensions 100centimeters by 110 centimeters (cms). EDIFACT |
| AI | Clamshell EDIFACT |
| APE | Aluminium packed (GS1 Temporary Code) Packaging using thin sheets of aluminium. |
| BGE | Large bag, pallet sized (GS1 Temporary Code) A non-rigid container made of fabric, paper, plastic, etc, with an opening at the top which can be closed and which is suitable for use on pallets. |
| BME | Blister pack (GS1 Temporary Code) A transparent strip package of pressable plastic which allows the product to be displayed while remaining protected. |
| BRI | Brick (GS1 Temporary Code) A box made of a cardboard, plastic or metal, used for liquids. |
| CBL | Container bottle like (GS1 Temporary Code) A non-protected, non-cylindrical, container with a narrow neck made usually of glass or plastic which is especially used for liquids, e.g. perfume bottle. |
| CCE | Cardboard carrier (GS1 Temporary Code) A package made of cardboard. |
| CM | Card A flat package usually made of fibreboard from/to which the product is often hung or attached. EDIFACT |
| E1 | Performance meat container E1 (GS1 Temporary Code) Standard performance meat container with dimensions 60 X 40 X 12,5 cm. |
| E2 | Performance meat container E2 (GS1 Temporary Code) Standard performance meat container with dimensions 60 X 40 X 20 cm. |
| E3 | Performance meat container E3 (GS1 Temporary Code) Standard performance meat container with dimensions 60 X 40 X 30 cm. |
| FOB | Folding box (GS1 Temporary Code) Folded cardboard box e.g for products like frozen vegetables, paper clips |
| FPE | Foil packed (GS1 Temporary Code) Packaging using a metallic foil. |

Used Codes

| | |
|-----|---|
| LAB | Labeled package (GS1 Temporary Code) The package is labeled. Usually the label identifies the name, brand or description of the product within the package. |
| MPE | Multipack (GS1 Temporary Code) A container for the merchandising of multiple units of the same product. |
| OPE | Oxygen packed (GS1 Temporary Code) A package with oxygen added for storage purposes. |
| PAE | Paper (GS1 Temporary Code) An indication that the item(s) is packed in paper. |
| PJ | Punnet EDIFACT |
| PLP | Peel pack (GS1 Temporary Code) A package used for sterile products which may be torn open without touching the product inside. |
| POP | Cone shaped paper wrapper (GS1 Temporary Code) Cone shaped paper wrapping e.g. for an individually packed ice cream cone. |
| PPE | Polypropylene bag (GS1 Temporary Code) A bag made from polypropylene. |
| PUE | Tray packed in plastic (GS1 Temporary Code) A board with a ring packed in plastic carrying for small articles. |
| RB3 | Wheeled pallet with raised rim. 81 x 60 x 16 cm (length x width x height). (GS1 Temporary Code) A wheeled pallet with raised rim for the storing and transporting of loads. Dimensions: 81 x 60 x 16 cm (length x width x height). |
| RCB | Two sided cage on wheels with fixing strap (GS1 Temporary Code) 900 x 770 x 1513 cm (length x width x height) A two sided cage mounted on wheels with fixing strap. Dimensions: 900 x 770 x 1513 cm (length x width x height). |
| S1 | GS1 SMART-Box Type E (GS1 Temporary Code) Standard reusable crate with dimensions 60 x 40 x 21,1 cm. |
| SEC | Article Surveillance (GS1 Temporary Code) Equipped with article surveillance. |
| SO | Spool Any cylindrical piece on which something is wound. |
| SP | Sheet, plastic wrapping EDIFACT |
| STL | Stick (GS1 Temporary Code) A container for dispensing solid substances, e.g. glue, deodorant. |

Used Codes

| | |
|-------------|---|
| T1 | Tablet A loose or unpacked article in the form of a bar, block or piece. EDIFACT |
| TEV | Tamper evident package (GS1 Temporary Code) A type of package giving easy or immediate recognition that the package has been tampered with after it has been sealed. |
| THE | Three pack (GS1 Temporary Code) A package containing three products. |
| TL | Tub, with lid EDIFACT |
| TRE | Trolley (GS1 Temporary Code) A low cart for the transportation and storage of groceries, milk, etc. |
| TTE | Tube, standing (GS1 Temporary Code) A screw-topped pliable cylinder capable of standing and suitable for holding pastes or semi-liquids, e.g. a tube of toothpaste. |
| TWE | Two pack (GS1 Temporary Code) A package containing two products. |
| UUE | Tube net (GS1 Temporary Code) A plastic or textile tube suitable for carrying loose products, e.g. fruit. |
| UVQ | Wrapped in plastic sheet (GS1 Temporary Code) An indication that the items have been wrapped in plastic sheet. |
| WRP | Wrapper (GS1 Temporary Code) Wrapping e.g. for an individually packed ice cream. |
| X11 | Banded package (GS1 Temporary Code) A package with bands, usually metal or nylon, round it to hold the products together. |
| X15 | Oneway pallet ISO 0 - 1/2 EURO Pallet (GS1 Temporary Code) Oneway pallet with dimensions 80 X 60 cm. |
| X16 | Oneway pallet ISO 1 - 1/1 EURO Pallet (GS1 Temporary Code) Oneway pallet with dimensions 80 X 120 cm. |
| X17 | Non-standard pallet (GS1 Temporary Code) Non-Standard pallet |
| X18 | Parcel with exceptional dimensions (GS1 Temporary Code) Parcel with non-standard dimensions. |
| X3 | Standard stack of stones (GS1 Temporary Code) Standard stack of stones. |
| 7073 | Packaging terms and conditions code Code specifying the packaging terms and conditions. |

Used Codes

| | |
|-----|--|
| 1 | Packaging cost paid by supplier The cost of packaging is paid by the supplier. |
| 2 | Packaging cost paid by recipient The cost of packaging is paid by the recipient. |
| 3 | Packaging cost not charged (returnable) There is no charge for packaging because it is returnable. |
| 24 | Rented The package has been, or will be, rented. EDIFACT |
| 25 | Safe return deposit A deposit paid to guarantee the safe return of the package. |
| 26 | Not reusable The package is not reusable. GS1 Description: The equipment may only be used once and is not reusable for the purpose for which it was designed. |
| 27 | Package exchangeable at the point of delivery The package may be exchanged at the point of delivery. |
| 29 | Labeled The package is labeled. EDIFACT |
| 1E | Unpack from (GS1 Temporary Code) Code identifying that goods should be unpacked from the identified package. |
| 2E | Repack in (GS1 Temporary Code) Code identifying that goods should be repacked from the identified package. |
| 3E | Pack in (GS1 Temporary Code) Code identifying that goods should be packed from the identified package. |
| X11 | Packaging recycling fee paid by supplier (GS1 Temporary Code) The fee for recycling packaging is paid by the supplier. |
| XX1 | Exchange Pallets (GS1 Temporary Code) The pallet is exchanged. |
| XX2 | Return Pallets (GS1 Temporary Code) The pallet is returned. |
| XX3 | Pallet - Third Party Exchange (GS1 Temporary Code) The pallet is exchanged by a third party. |
| XX4 | No Exchange / No Return Pallet (GS1 Temporary Code) No pallet exchange or return. |

Used Codes

| | |
|-------------|---|
| 7077 | Description format code Code specifying the format of a description. |
| A | Free-form long description Long description of an item in free form. |
| B | Code and text Description of an item in coded and free form text. |
| C | Code (from industry code list) Description of an item in coded format. GS1 Description: Description of an item provided in coded format from an industry list. |
| D | Free-form price look up Price look-up description of a product for point of sale receipts. |
| E | Free-form short description Short description of an item in free form. |
| F | Free-form Description of an item in free form text. GS1 Description: Item related general free form text description, which is neither a short or long description of the item itself. |
| S | Structured (from industry code list) Description of an item in a structured format. |
| 7081 | Item characteristic code Code specifying the characteristic of an item. |
| 2 | General product form Description of general product form. |
| 3 | Ship to stock Product without quality control when received. |
| 4 | Finish Description of the finish required/available on the product. |
| 6 | Construction method Description of the method of construction. |
| 13 | Quality The degree of excellence of a thing. GS1 Description: Characteristics to be described refer to the quality of the item. |
| 27 | Material description Description of material used to manufacture a product. GS1 Description: Free text description of the materials of which the article is composed. |

Used Codes

| | |
|----|--|
| 31 | European Community risk class European community classification "CE" indicating the safety risk of an article. GS1 Description: European commission classification indicating the safety risk of an article (also called CE-mark or CE-risk class). |
| 35 | Colour Description of the colour required/available on the product. |
| 38 | Grade Specification of the grade required/available for the product. GS1 Description: Specification of the grade required/available for the product, e.g. the grade of fruit. |
| 44 | Further identifying characteristic Description of further identifying characteristic of a product which enables the product to be distinguished from any similar products. GS1 Description: Extra descriptive information in free text which makes it possible to distinguish almost, but not completely, similar articles. |
| 45 | Private label name Describes the private label name of a product. |
| 46 | Silhouette Describes the outline of the item. |
| 47 | Warranty type description The warranty type description of the item. |
| 48 | Yarn count Describes the fineness of the yarn in the cloth. GS1 Note: Replaces GS1 Temporary Code U07. EDIFACT |
| 61 | New article The characteristic of a new item or commodity. |
| 72 | Vintage The harvest year of the grapes that are part of the composition of a particular wine. |
| 75 | Artist The performing artist(es) of a recorded song or piece of music. |
| 76 | Author The author of a written work. |
| 77 | Binding A description of the type of binding used for a written work. |
| 78 | Edition Description of the edition of a written work. |

Used Codes

| | |
|-----|--|
| 79 | Other physical description Any other relevant physical description. |
| 80 | Publisher The publisher of a written piece of work as part of the item description. |
| 81 | Title The title of a work. |
| 82 | Series title Title of a series of works. |
| 83 | Volume title The title of a volume of work. |
| 84 | Composer The composer of a recorded song or piece of music. |
| 85 | Recording medium The medium on which a musical recording is made. |
| 86 | Music style The style of music. |
| 87 | Promotional event Describes the promotional event associated with a product. |
| 98 | Size Description of size in non-numeric terms. |
| 120 | Chemistry Code indicating the product's chemical characteristics. |
| 126 | Pattern Code indicating the product's pattern characteristics. |
| 132 | Fabric Code indicating the product's fabric characteristics. |
| 169 | Market segment Code indicating the market segment associated with a product. |
| 171 | Physical form Code indicating the physical form of a product. |
| 196 | Additional sectorial characteristics A code issued on a sectorial basis which identifies any additional characteristics of a product. |
| 197 | Product data base management description A description indicating how a product should be managed in a data base. |

Used Codes

| | |
|-----|--|
| 219 | <p>Style</p> <p>A kind, sort, or type that distinguishes one commodity from another commodity with similar characteristics.</p> <p>GS1 Note: Replaces GS1 Temporary Code STE.</p> <p>EDIFACT</p> |
| 223 | <p>Brand name</p> <p>The brand name of an item.</p> <p>EDIFACT</p> |
| ANM | <p>Article name (GS1 Temporary Code)</p> <p>The name of the product.</p> |
| AVI | <p>Available for ordering (GS1 Temporary Code)</p> <p>Goods are available for ordering.</p> |
| BPD | <p>Publication date (GS1 Temporary Code)</p> <p>The publication date of a written work as an element of the description.</p> |
| BVP | <p>Volume or part number (GS1 Temporary Code)</p> <p>The volume or part number of a written work.</p> |
| DSC | <p>Description (GS1 Temporary Code)</p> <p>A non-structured description of a product.</p> |
| ECO | <p>ECO labelling description (GS1 Temporary Code)</p> <p>Description of ECO labelling.</p> |
| EDS | <p>Expiry date surpassed (GS1 Temporary Code)</p> <p>The expiry date for goods has been surpassed.</p> |
| FGT | <p>Fishing gear type (GS1 Permanent Code)</p> <p>Fishing gear type</p> |
| FN | <p>Functional Name (GS1 Temporary Code)</p> <p>Describes use of the product or service by the consumer. Should help clarify the product classification associated with the GTIN.</p> |
| FPC | <p>Fish presentation code (GS1 Permanent Code)</p> <p>Fish presentation code</p> |
| FQG | <p>Fish quality grade (GS1 Permanent Code)</p> <p>Fish quality grade</p> |
| FRZ | <p>Freezing information (GS1 Permanent Code)</p> <p>Freezing information</p> |
| FSS | <p>Fish standardized size (GS1 Permanent Code)</p> <p>Fish standardized size</p> |
| GDC | <p>GIFAM fault code (GS1 Temporary Code)</p> <p>A code used in the white goods industry to identify faults.</p> |

Used Codes

| | |
|-----|---|
| GEO | Geographical area (GS1 Permanent Code) Relevant geographical area. |
| HAN | Handling instructions (GS1 Temporary Code) A code identifying a coded description of handling instructions. |
| HAZ | Hazardous material codes (GS1 Temporary Code) A code identifying a coded description of hazardous materials. |
| IDC | IRIS fault code (GS1 Temporary Code) A code used in the brown goods industry to identify faults. |
| IN | Invoice name (GS1 Temporary Code) Free form information provider assigned trade item description designed to match trade item/service description as noted on invoices. |
| IRC | IRIS repair code (GS1 Temporary Code) A code used in the brown goods industry to identify a repair required to correct a fault. |
| ISC | IRIS section code (GS1 Temporary Code) A code used in the brown goods industry to identify a section containing a fault. |
| ISY | IRIS symptom code (GS1 Temporary Code) A code used in the brown goods industry to identify a symptom of a fault. |
| KEY | Keyword (GS1 Temporary Code) A word which may used as a search key to select items from a product file. A keyword is usually a word which does not exist in the product description but may exist in information accompanying the product, e.g. Keyword = Absorbent, Product description = Gauze dressing, Product information = 1 Peelpack with 10 absorbent gauze dressings. |
| MNF | Manufacturer (GS1 Temporary Code) The name of the manufacturer of the product which is printed on the product packaging. |
| NAV | Not available for ordering (GS1 Temporary Code) Goods are not available for ordering. |
| OFS | Order Fulfilment Strategy (GS1 Temporary Code) The method used by the supplier to fulfil a customer order for a particular product. Three strategies are recognised: Make to Order, Make to Stock and Engineer to Order. |
| PR | Product Range (GS1 Temporary Code) A name, used by a BrandOwner, that span multiple consumer categories or uses. E.g. (Waist Watchers). |
| PRO | Production Method (GS1 Permanent Code) Production Method Characteristics. |

Used Codes

| | |
|-----|---|
| RLI | Rolling instructions (GS1 Temporary Code) Instructions concerning the rolling of material, e.g. paper, plastic, carpet, etc. |
| SB | Subbrand (GS1 Temporary Code) Second level of brand. Can be a trademark. It is the primary differentiating factor that a brand owner wants to communicate to the consumer or buyer. |
| SBN | Primary differentiating factor that a brand owner wants to communicate (GS1 Temporary Code) Second level of brand. Can be a trademark. It is the primary differentiating factor that a brand owner wants to communicate to the consumer or buyer. E. g. Yummy-Cola Classic. In this example Yummy-Cola is the brand and Classic is the subBrand. |
| SCT | Scientific name (GS1 Permanent Code) The scientific name of a product. |
| SDS | Shelf description (GS1 Temporary Code) A description of the product for shelf edge labelling purposes. |
| SGR | Size grid (GS1 Temporary Code) Grid of sizes, containing for a certain type of size (e.g., womans, France, etc) each possible value of the size (e.g., 28, 30, 32, etc). |
| STE | Style (GS1 Temporary Code) A code identifying the style of a product. GS1 Note: Code marked for deletion. Use value 219 instead. |
| TDS | Technical description (GS1 Temporary Code) The technical description of a product. |
| TPE | Article type (GS1 Temporary Code) The article type allocated by the manufacturer to a product. |
| U02 | Fiber (GS1 Temporary Code) A code identifying the fiber contained in a cloth. |
| U07 | Yarn content (GS1 Temporary Code) A code indicating the yarn content of a fabric. GS1 Note: Code marked for deletion. Use value 48 instead. |
| U08 | Roll pattern out (GS1 Temporary Code) An instruction to roll the product with the pattern side facing out. |
| U09 | Roll pattern in (GS1 Temporary Code) An instruction to roll the product with the pattern side facing in. |
| UP2 | Packaging language (GS1 Temporary Code) Language used for package markings. |
| UP4 | Promotional free goods (GS1 Temporary Code) Free goods not associated to any other product given for promotional reasons. |

Used Codes

| | |
|-----|--|
| UP5 | Width or fitting (GS1 Temporary Code) An indication of the width or fitting (e.g. wide, loose, etc.) of a shoe or textile product. |
| UP6 | Material shoe upper (GS1 Temporary Code) An indication of the material (e.g. leather, suede, canvas, etc.) used to construct a shoe upper. |
| UP7 | Material shoe sole (GS1 Temporary Code) An indication of the material (e.g. leather, rubber, etc.) used to construct the sole of a shoe. |
| UP8 | Material lining (GS1 Temporary Code) An indication of the lining (e.g. silk, leather, etc.) of a shoe or textile product. |
| UP9 | Shoe heel height (GS1 Temporary Code) An indication of the height of the heel of a shoe. |
| UQ1 | Base article exception rule (GS1 Temporary Code) An indication that what follows is a base article exception rule. |
| UQ2 | Orchestra (GS1 Temporary Code) The Orchestra of a recorded song or piece of music. |
| UQ3 | Conductor (GS1 Temporary Code) The conductor of a recorded song or piece of music. |
| UQ5 | Inspection agencies (GS1 Temporary Code) Characteristics to be described refer to inspection agencies controlling the item described. |
| UQ6 | Product without theft protection (GS1 Temporary Code) The product is not fitted with a protection against theft. |
| UQ7 | Product with theft protection, active (GS1 Temporary Code) The product is fitted with a protection against theft that has been activated. |
| UQ8 | Product with theft protection, inactive (GS1 Temporary Code) The product is fitted with a protection against theft that has not been activated. |
| WVL | Weight or volume loss (GS1 Temporary Code) Goods have suffered a weight or volume loss. |
| XX1 | Collar Type (GS1 Temporary Code) Type of collar on the garment. |
| XX2 | Sleeve Type (GS1 Temporary Code) Type of sleeve on the garment. |
| XX3 | Clothing Cut (GS1 Temporary Code) Code identifying the clothing cut. |

Used Codes

| | |
|-------------|--|
| XX4 | Non marked trade item components (GS1 Temporary Code) Code identifying the of price by measure. |
| XX5 | Campaign name (GS1 Temporary Code) The type of a variable measure trade item. |
| XX6 | Season name (GS1 Temporary Code) Element defines the season applicable to the item. |
| XX7 | Season parameter (GS1 Temporary Code) Indication of the season, in which the trade item is available, i.e. assignment to one of the following collection periods: spring/summer, autumn/ winter or all year around. |
| XX8 | Target Consumer Age (GS1 Temporary Code) Identifies the target consumer age range for which a trade item has been designed. |
| XX9 | Target Consumer Gender (GS1 Temporary Code) Identifies the target consumer gender for which a product has been designed. |
| XY1 | Link to external description (GS1 Temporary Code) The link (e.g. URL) to the external description. |
| XY2 | Additional Trade Item Description (GS1 Temporary Code) Additional variants necessary to communicate to the industry to help define the product. Multiple variants can be established for each GTIN. This is a repeatable field, e.g. Style, Color, and Fragrance. |
| XY3 | Trade item group identification (GS1 Temporary Code) The text description of the value represented by the trade itemGroupIDCode. |
| XY4 | Price by measure type (GS1 Temporary Code) Code identifying the of price by measure. |
| XY5 | Variable trade item type (GS1 Temporary Code) The type of a variable measure trade item. |
| 7143 | Item type identification code Coded identification of an item type. |
| AA | Product version number Number assigned by manufacturer or seller to identify the release of a product. |
| AC | HIBC (Health Industry Bar Code) Article identifier used within health sector to indicate data used conforms to HIBC. |
| AQ | Coupon number GS1 Description: A number identifying a coupon which is attached to the identified product. |

Used Codes

| | |
|-----|--|
| AT | Price look up number Identification number on a product allowing a quick electronic retrieval of price information for that product. |
| ATC | Therapeutic classification number (GS1 Temporary Code) A code to specify a product's therapeutic classification. |
| BAN | Base article node number (GS1 Temporary Code) A number which identifies a node within a base article configuration. |
| BB | Lot number A number indicating the lot number of a product. |
| BP | Buyer's part number Reference number assigned by the buyer to identify an article. GS1 Description: Reference number assigned by the buyer to identify an article. GS1 usage note: As the code values 'BP' and 'IN' are defined in the same way, it is recommended that the code value 'IN' be used to specify any article numbers assigned by the buyer. |
| BRI | Brick Code (GS1 Temporary Code) Global GS1 classification category code. Unique, permanent 10-digit key. |
| BU | Dye lot number Number identifying a dye lot. |
| BZ | Original equipment number Original equipment number allocated to spare parts by the manufacturer. |
| CG | Commodity grouping Code for a group of articles with common characteristics (e.g. used for statistical purposes). |
| DW | Drawing Reference number identifying a drawing of an article. |
| ECP | ECLASS property (GS1 Temporary Code) Unique code which identifies the ECLASS classification property. |
| ECV | ECLASS property value (GS1 Temporary Code) Value for a property according to the ECLASS classification. |
| EWC | European Waste Catalogue (GS1 Temporary Code) Waste type number according to the European Waste Catalogue (EWC). |
| FS | Fish species Identification of fish species. |
| GAT | GPC Brick attribute type (GS1 Temporary Code) Unique 8 digit code which identifies the Global GS1 classification. |

Used Codes

| | |
|-----|---|
| GAV | GPC brick attribute value (GS1 Temporary Code) Unique 8 digit code which identifies the Global GS1 classification attribute value |
| GB | Buyer's internal product group code Product group code used within a buyer's internal systems. |
| GD | Industry sector article group number/product classification code (GS1 Temporary Code) Sectoral product group or classification identification code. Administered by a sector specific agency. |
| GLN | Global Location Number (GS1 Temporary Code) Unique location number assigned by a Member Organisation of GS1. |
| GMN | Global Model Number (GS1 Temporary Code) The GMN is the GS1-identification key used to identify a product model or product family based on attributes common to the model or family as defined by industry or regulation. |
| GN | National product group code National product group code. Administered by a national agency. |
| GU | Supplier's internal article group number/product classification code (GS1 Temporary Code) Product group or classification identification code within a supplier's internal system. |
| HS | Harmonised system The item number is part of, or is generated in the context of the Harmonised Commodity Description and Coding System (Harmonised System), as developed and maintained by the World Customs Organization (WCO). |
| IB | ISBN (International Standard Book Number) Self explanatory. |
| IN | Buyer's item number The item number has been allocated by the buyer. |
| IS | ISSN (International Standard Serial Number) Self explanatory. |
| IT | Buyer's style number Number given by the buyer to a specific style or form of an article, especially used for garments. |
| LI | Line item number (GS1 Temporary Code) Number identifying a specific line within a document/message. |
| MF | Manufacturer's (producer's) article number The number given to an article by its manufacturer. |

Used Codes

| | |
|-----|--|
| MN | <p>Model number</p> <p>Reference number assigned by the manufacturer to differentiate variations in similar products in a class or group.</p> |
| NB | <p>Batch number</p> <p>The item number is a batch number.</p> <p>GS1 Description: Number supplementing the identification code of a product used to identify the specific production place and/or time of a product.</p> |
| PGC | <p>Price grouping code (GS1 Temporary Code)</p> <p>Number assigned to identify a grouping of products based on price.</p> |
| PV | <p>Promotional variant number</p> <p>The item number is a promotional variant number.</p> <p>GS1 Description: Number supplementing the identification code of a product and identifying that product as a variant of the standard product. To be used when the variation is not sufficiently significant to justify a change to the main identification code of the product.</p> |
| RVM | <p>Restricted circulation variable measure number (GS1 Temporary Code)</p> <p>A number assigned to identify a restricted circulation variable measure item.</p> |
| SA | <p>Supplier's article number</p> <p>Number assigned to an article by the supplier of that article.</p> |
| SN | <p>Serial number</p> <p>Identification number of an item which distinguishes this specific item out of a number of identical items.</p> |
| SPP | <p>Standard product also used in promotions (GS1 Temporary Code)</p> <p>Article number of a standard product which may temporarily also be used for promotional purposes, e.g. the physical product or price of the product does not change but a christmas tree is marked on the packaging to decorate the product for christmas.</p> |
| SRS | <p>RSK number</p> <p>Plumbing and heating.</p> |
| SRT | <p>IFLS (Institut Francais du Libre Service) 5 digit product classification code</p> <p>5 digit code for product classification managed by the Institut Francais du Libre Service.</p> |
| SRU | <p>IFLS (Institut Francais du Libre Service) 9 digit product classification code</p> <p>9 digit code for product classification managed by the Institut Francais du Libre Service.</p> |
| SRV | <p>GS1 Global Trade Item Number</p> <p>A unique number, up to 14-digits, assigned according to the numbering structure of the GS1 system. 'GS1' stands for the 'Global Standards One'.</p> |

Used Codes

| | |
|-----|---|
| SRX | Slaughter number Unique number given by a slaughterhouse to an animal or a group of animals of the same breed. EDIFACT |
| SSS | Distributor's article identifier Identifier assigned to an article by the distributor of that article. |
| SST | Norwegian Classification system ENVA Product classification system used in the Norwegian market. EDIFACT |
| SSU | Supplier assigned Product classification assigned by the supplier. EDIFACT |
| SSV | Mexican classification system AMECE Product classification system used in the Mexican market. EDIFACT |
| SSW | German classification system CCG Product classification system used in the German market. EDIFACT |
| SSX | Finnish classification system EANFIN Product classification system used in the Finnish market. EDIFACT |
| SSY | Canadian classification system ICC Product classification system used in the Canadian market. EDIFACT |
| SSZ | Dutch classification system CBL Product classification system used in the Dutch market. EDIFACT |
| ST | Style number Number given to a specific style or form of an article, especially used for garments. |
| STA | Dutch classification system CBL Product classification system used in the Dutch market. |
| STB | Japanese classification system JICFS Product Classification system used in the Japanese market. |
| STC | European Union dairy subsidy eligibility classification Category of product eligible for EU subsidy (applies for certain dairy products with specific level of fat content). |
| STD | GS1 Spain Classification Product classification system used in the Spanish Market. |

Used Codes

| | |
|-----|--|
| STE | GS1 Poland classification system Product classification system used in the Polish market. |
| STF | Federal Agency on Technical Regulating and Metrology of the Russian Federation A Russian government agency that serves as a national standardization body of the Russian Federation. |
| STG | Efficient Consumer Response (ECR) Austria classification system Product classification system used in the Austrian market. |
| STH | GS1 Italy classification system Product classification system used in the Italian market |
| STI | CPV (Common Procurement Vocabulary) Official classification system for public procurement in the European Union. |
| STJ | IFDA (International Foodservice Distributors Association) International Foodservice Distributors Association (IFDA). |
| STK | AHFS (American Hospital Formulary Service) pharmacologic therapeutic classification. Pharmacologic therapeutic classification maintained by the American Hospital Formulary Service (AHFS). |
| STL | ATC (Anatomical Therapeutic Chemical) classification system Anatomical Therapeutic Chemical classification system maintained by the World Health Organisation (WHO). |
| STM | CLADIMED (Classification des Dispositifs Médicaux) A five level classification system for medical devices maintained by the CLADIMED organisation used in the French market. |
| STN | CMDR (Canadian Medical Device Regulations) classification system Classification system related to the Canadian Medical Device Regulations maintained by Health Canada. |
| STO | CNDM (Classificazione Nazionale dei Dispositivi Medici) A classification system for medical devices used in the Italian market. |
| STP | UK DM&D (Dictionary of Medicines & Devices) standard coding scheme A classification system for medicines and devices use in the UK market. |
| STQ | ECLASS Standardized material and service classification and dictionary maintained by ECLASS e.V. |
| STR | EDMA (European Diagnostic Manufacturers Association) Products Classification Classification for in vitro diagnostics medical devices maintained by the European Diagnostic Manufacturers Association. |
| STS | EGAR (European Generic Article Register) A classification system for medical devices. |

Used Codes

| | |
|-----|---|
| STT | GMDN (Global Medical Devices Nomenclature) Nomenclature system for identification of medical devices officially approved by the European Union. |
| STU | GPI (Generic Product Identifier) A drug classification system managed by Medi-Span. |
| STV | HCPCS (Healthcare Common Procedure Coding System) A classification system used with US healthcar insurance programs. |
| STW | ICPS (International Classification for Patient Safety) A patient safety taxonomy maintained by the World Health Organisation. |
| STX | MedDRA (Medical Dictionary for Regulatory Activities) A medical dictionary maintained by the International Federation of Pharmaceutical Manufacturers and Associations (IFPMA). |
| STY | Medical Columbus Medical product classification system used in the German market. |
| STZ | NAPCS (North American Product Classification System) Product classification system used in the North American market. |
| SUA | NHS (National Health Services) eClass Product and Service classification system used in United Kingdom market. |
| SUB | US FDA (Food and Drug Administration) Product Code Classification Database US FDA Product Code Classification Database contains medical device names and associated information developed by the Center for Devices and Radiological Health (CDRH). |
| SUC | SNOMED CT (Systematized Nomenclature of Medicine-Clinical Terms) A medical nomenclature system developed between the NHS and the College of American Pathologists. |
| SUD | UMDNS (Universal Medical Device Nomenclature System) A standard international nomenclature and computer coding system for medical devices maintained by the Emergency Care Research Institute (ECRI). |
| SUE | GS1 Global Returnable Asset Identifier, non-serialised A unique, 13-digit number assigned according to the numbering structure of the GS1 system and used to identify a type of Reusable Transport Item (RTI). |
| SUF | IMEI The International Mobile Station Equipment Identity (IMEI) is a unique number to identify mobile phones. It includes the origin, model and serial number of the device. The structure is specified in 3GPP TS 23.003. |
| UA | Ultimate customer's article number Number assigned by ultimate customer to identify relevant article. |

Used Codes

| | |
|-------------|--|
| X10 | Lottery game number (GS1 Temporary Code) The number of a lottery game. |
| X11 | Lottery pack book number (GS1 Temporary Code) The number of a lottery pack book. |
| X12 | NABCA product code (GS1 Temporary Code) NABCA code identifying alcoholic beverage brands and sizes. |
| X13 | Waste type number (GS1 Temporary Code) Identification of the type of item number. Notes: User or association defined code. May be used in combination with 1131/3055. |
| X2 | Ear-tag number (GS1 Temporary Code) Unique number given by a national authority to identify an animal individually. |
| 7233 | Packaging related description code Code specifying information related to packaging. |
| 1 | Product ingredients not marked on package The ingredients of the product are not marked on the packaging of the product. |
| 2 | Product price not marked on packaging The product price is not marked on the packaging of the product. |
| 3 | Product best before date not marked on product package The product best before date is not marked on the packaging of the product. |
| 4 | Package not marked recyclable Package is not marked as recyclable. |
| 5 | Promotional details marked A code indicating that promotional details have been marked on the package. |
| 7 | Sell-by date marked on package The package is marked with the last date on which the item may be sold. |
| 8 | Use-by date marked on package The package is marked with the last date on which the item may be used. |
| 9 | Packaging / manufacturing date marked on package The package is marked with the date of the packaging or manufacturing of the item. |
| 10 | No freshness date marked on package Package is not marked with any kind of date indicating freshness, such as use-by, best before or packaging date. |
| 31 | Package best before date marked Package is marked with the product best before date. |

Used Codes

| | |
|-----|--|
| 32 | Package marked recyclable The package is marked recyclable. |
| 33 | Package marked returnable The package is marked returnable. |
| 50 | Package barcoded EAN-13 or EAN-8 The package is barcoded with EAN-13 or EAN-8 code. |
| 51 | Package barcoded ITF-14 The package is barcoded with ITF-14 code. |
| 52 | Package barcoded UCC or EAN-128 The package is barcoded with UCC or EAN-128 code. |
| 53 | Package price marked The package is marked with the price. |
| 54 | Product ingredients marked on package The ingredients of the product contained in a package are marked on that package. |
| 64 | Package never EPC tagged. The package will never be tagged with an EPC (Electronic Product Code) transponder. |
| 65 | Package sometimes EPC tagged The package will sometimes be tagged with an EPC (Electronic Product Code) transponder. |
| 78 | Package bar-coded and EPC tagged The package is bar-coded and tagged with an EPC (Electronic Product Code) transponder. |
| 79 | Package EPC tagged only The package is tagged with an EPC (Electronic Product Code) transponder only. |
| 80 | Marked with "display until date" Package is marked with the date by which the product should be removed from the display location. |
| 81 | Package marked with a variable measure barcode The package is marked with a variable measure barcode. |
| 82 | Package marked with fixed measure barcode The package is marked with a fixed measure barcode. |
| LAB | Labeled according to General GS1 Specifications for clothing and fashion accessories (GS1 Temporary Code) The item is labeled according to the General GS1 Specifications for clothing and fashion accessories. |
| NAB | Not labeled acc. to GS1 (GS1 Temporary Code) Specifications for clothes and fashion accessoires |

Used Codes

| | |
|-----|---|
| NBR | Not barcoded (GS1 Temporary Code) The package is not barcoded. |
| RL1 | Peg hole round 1 (GS1 Temporary Code) The item's packaging has a round peg hole. (European norm DIN EN 13010:2003 (substitute for DIN 55512-1:1984-12)) |
| SL1 | Peg hole slot hole 1 (GS1 Temporary Code) The item's packaging has a slot peg hole of type 1. (European norm DIN EN 13010:2003 (substitute for DIN 55512-1:1984-12)) |
| SL3 | Peg hole slot hole 3 (GS1 Temporary Code) The item's packaging has a slot peg hole of type 3. (European norm DIN EN 13010:2003 (substitute for DIN 55512-1:1984-12)) |
| X01 | Composite Component A (GS1 Temporary Code) Packaging marked with CC-A barcode. |
| X02 | Composite Component B (GS1 Temporary Code) Packaging marked with CC-B barcode. |
| X03 | Composite Component C (GS1 Temporary Code) Packaging marked with CC-C barcode. |
| X04 | RSS-14 (GS1 Temporary Code) Packaging marked with RSS-14 (GS1 DataBar) symbology. |
| X05 | RSS-14 Stacked (GS1 Temporary Code) Packaging marked with RSS-14 (GS1 DataBar) stacked symbology. |
| X06 | RSS-14 Staked omnidirectional (GS1 Temporary Code) Packaging marked with RSS-14 (GS1 DataBar) stacked omnidirectional symbology. |
| X07 | RSS-14 Truncated (GS1 Temporary Code) Packaging marked with RSS-14 (GS1 DataBar) truncated symbology. |
| X08 | RSS expanded (GS1 Temporary Code) Packaging marked with RSS (GS1 DataBar) expanded symbology. |
| X09 | RSS expanded truncated (GS1 Temporary Code) Packaging marked with RSS (GS1 DataBar) expanded truncated symbology. |
| X10 | RSS limited (GS1 Temporary Code) Packaging marked with RSS (GS1 DataBar) limited symbology. |
| X11 | UPC A symbol (GS1 Temporary Code) Packaging marked with UPC A symbol. |
| X12 | UPC E Symbol (GS1 Temporary Code) Packaging marked with UPC E symbol. |
| X13 | EANUCC 14 Symbol (GS1 Temporary Code) Packaging marked with EAN UCC 14 symbology. |

Used Codes

| | |
|-------------|---|
| X14 | Package not marked returnable (GS1 Temporary Code) Packaging marked with EAN UCC 14 symbology. |
| X15 | Gift wrapping (GS1 Temporary Code) Trade item is packaged in a gift wrapping. |
| X16 | Greeting card (GS1 Temporary Code) Trade item is accompanied by a greeting card. |
| 7405 | Object identification code qualifier Code qualifying the identification of an object. |
| AW | Serial shipping container code A single unique serial number which identifies shipping containers or shipping packages. GS1 Note: Replaces code BJ. |
| BJ | Serial shipping container code A single unique serial number which identifies shipping containers or shipping packages. GS1 Note: Code marked for deletion. Use AW instead. GS1 Description: A single unique serial number which identifies shipping containers or shipping packages. |
| BN | Serial number Identification number of an item which distinguishes this specific item out of a number of identical items. |
| BX | Batch number Unique number affixed by manufacturer to a batch of products produced under similar conditions. |
| CPE | Coupon number (GS1 Temporary Code) A number identifying a coupon which is attached to the identified product. |
| CQE | Cheque number (GS1 Temporary Code) A number identifying a cheque. |
| CRE | Price marked on product (GS1 Temporary Code) The price per unit of measure is marked on trade item. |
| CU | GS1 Global Individual Asset Identifier Unique number, consisting of the GS1 Company Prefix and an Individual Asset Reference. GS1 Note: Replaces GS1 Temporary Code IAG. |
| DA | GS1 Global Returnable Asset Identifier, without serial number A unique number, consisting of a fixed 13-digits part. It allows the unique identification of a particular type of Returnable Asset. |

Used Codes

| | |
|-------------|---|
| DB | <p>GS1 Global Returnable Asset Identifier, with serial number</p> <p>A unique number, consisting of a fixed 13-digits part and a mandatory Serial Number of up to 16 digits. The fixed part allows for the unique identification of a particular kind of Returnable Asset, the second part is assigned to distinguish individual assets within a given Returnable Asset type.</p> |
| DC | <p>GS1 Global Identification Number for Consignment (GINC)</p> <p>A unique number that identify a consignment comprised of one or more logistic units that are intended to be transported together.</p> |
| DD | <p>GS1 Global Shipment Identification Number (GSIN)</p> <p>A unique number that identify a shipment comprised of one or more logistic units that are intended to be delivered together.</p> |
| EI | <p>IMEI</p> <p>The International Mobile Station Equipment Identity (IMEI) is a unique number to identify mobile phones. It includes the origin, model and serial number of the device. The structure is specified in 3GPP TS 23.003.</p> <p>GS1 Note: Replaces GS1 Temporary Code SUF.</p> |
| SRV | <p>GS1 Global Trade Item Number (GS1 Temporary Code)</p> <p>A unique number, up to 14-digits, assigned according to the numbering structure of the GS1 system. 'GS1' stands for the 'Global Standards One'.</p> <p>GS1 Note: Replaces code EU.</p> |
| SUF | <p>IMEI (GS1 Temporary Code)</p> <p>The International Mobile Station Equipment Identity (IMEI) is a unique number to identify mobile phones. It includes the origin, model and serial number of the device. The structure is specified in 3GPP TS 23.003.</p> <p>GS1 Note: Code marked for deletion. Use EI instead.</p> |
| 8051 | <p>Transport stage code qualifier</p> <p>Code qualifying a specific stage of transport.</p> |
| 1 | <p>Inland transport</p> <p>Transport by which goods are moved from or to the frontier, or between inland points.</p> |
| 10 | <p>Pre-carriage transport</p> <p>Transport by which the goods are moved prior to their main carriage transport.</p> |
| 11 | <p>At border</p> <p>Transport by which goods are moved to the Customs frontier.</p> |
| 12 | <p>At departure</p> <p>Transport by which goods are moved from the place of departure.</p> |
| 13 | <p>At destination</p> <p>Transport by which goods are moved at the place of destination.</p> |
| 20 | <p>Main-carriage transport</p> <p>The primary stage in the movement of cargo from the point of origin to the intended destination.</p> |

Used Codes

| | |
|-------------|---|
| 25 | Delivery carrier all transport Carrier responsible from the point of origin to the final delivery destination. |
| 30 | On-carriage transport Transport by which the goods are moved after the main carriage transport. |
| I | Origin switch carrier (GS1 Temporary Code) Carrier taking responsibility for the goods from the carrier which has transported them from their point of origin. |
| 8053 | Equipment type code qualifier Code qualifying a type of equipment. |
| 08 | Oneway pallet (GS1 Temporary Code) Pallet need not be returned to the point of expedition. |
| 09 | Returnable pallet (GS1 Temporary Code) Pallet must be returned to the point of expedition. |
| 200 | Pallet ISO 0 - 1/2 EURO Pallet (GS1 Temporary Code) Standard pallet with dimensions 80 X 60 cm. |
| 201 | Pallet ISO 1 - 1/1 EURO Pallet (GS1 Temporary Code) Standard pallet with dimensions 80 X 120 cm. |
| 202 | Pallet ISO 2 (GS1 Temporary Code) Standard pallet with dimensions 100 X 120 cm. |
| 203 | 1/4 EURO Pallet (GS1 Temporary Code) Standard pallet with dimensions 60 X 40 cm. |
| 204 | 1/8 EURO Pallet (GS1 Temporary Code) Standard pallet with dimensions 40 X 30 cm. |
| 210 | Wholesaler pallet (GS1 Temporary Code) Pallet provided by the wholesaler. |
| 211 | Pallet 80 X 100 cm (GS1 Temporary Code) Pallet with dimensions 80 X 100 cm. |
| 212 | Pallet 60 X 100 cm (GS1 Temporary Code) Pallet with dimensions 60 X 100 cm. |
| AA | Ground equipment Ground equipment being fuelled or serviced. |
| AP | Clothing hanger rack Equipment used to store and transport clothing in a hanging position. |
| BC | Bottlecrate, bottlerack (GS1 Temporary Code) A container for the storage or movement of bottles. |

Used Codes

| | |
|-----|--|
| BO | Bottle, non-protected, cylindrical (GS1 Temporary Code) A non-protected cylindrical container with a narrow neck made usually of glass or plastic which is especially used for liquids. |
| BOX | Box (GS1 Temporary Code) A lidded package which can be made of cardboard, wood, plastic,tin,etc. |
| BPN | Box pallet non exchangeable A box pallet which cannot be exchanged. GS1 Description: A box pallet which cannot be exchanged. |
| BPZ | Roll Pallet 1 80 X 60 cm pallet on casters. |
| BX | Boxcar An enclosed railway goods wagon. GS1 Description: An enclosed railway goods wagon. |
| CH | Chassis A wheeled carriage onto which an ocean container is mounted for inland conveyance. |
| CHB | CHEP Eurobox (GS1 Temporary Code) A box mounted on a pallet base under the control of CHEP. |
| CN | Container Equipment item as defined by ISO for transport. It must be of: A) permanent character, strong enough for repeated use; B) designed to facilitate the carriage of goods, by one or more modes of transport, without intermediate reloading; C) fitted with devices for its ready handling, particularly. |
| CS | Case (GS1 Temporary Code) A package such as a box. |
| DPB | Roll Pallet 2 120 X 60 cm pallet on casters. |
| DPE | Display package (GS1 Temporary Code) A package used for the display of goods, usually during a promotion. |
| EFP | Exchangeable EUR flat pallet Self explanatory. GS1 Description: Self explanatory. |
| EYP | Exchangeable EUR Y box pallet Self explanatory. GS1 Description: Self explanatory. |

Used Codes

| | |
|-----|---|
| FPN | Flat pallet EUR non exchangeable Self explanatory. GS1 Description: Self explanatory. |
| ICA | Isothermic case (GS1 Temporary Code) A case used for products which require constant temperature control. |
| LU | Load/unload device on equipment A mechanical device used in the loading and/or unloading of cargo into and from transport equipment. |
| PA | Pallet A platform on which goods can be stacked in order to facilitate the movement by a forklift or sling. |
| PL | Platform A piece of equipment normally having a flat surface, or prepared for carrying cargo with a specific shape. |
| PMA | Pallet modular collars 80*100 (GS1 Temporary Code) Collars, with the dimensions 80cms * 100cms, which when fitted onto a pallet enable the pallet to be transformed into a box pallet with, if necessary, a lid. |
| PMB | Pallet modular collars 80*120 (GS1 Temporary Code) Collars, with the dimensions 80cms * 120cms, which when fitted onto a pallet enable the pallet to be transformed into a box pallet with, if necessary, a lid. |
| PU | Tray (GS1 Temporary Code) A flat receptacle with low sides for carrying or holding articles. |
| RCA | Roll cage (GS1 Temporary Code) A three sided cage mounted on wheels. |
| RG | Reefer generator A generator used to control the temperature in temperature-controlled transport equipment. |
| RR | Rail car To identify that the equipment is a rail car. GS1 Description: Registered identification number of railway wagon (CIM 19). |
| SW | Swap body Rectangular equipment unit without wheels, which can be mounted on a chassis or positioned on legs. |
| TE | Trailer A vehicle without motive power, designed for the carriage of cargo and to be towed by a motor vehicle. |
| TRE | Trolley (GS1 Temporary Code) A low cart for the transportation and storage of groceries, milk, etc. |

Used Codes

| | |
|-------------|---|
| UL | ULD (Unit load device) An aircraft container or pallet. |
| 8067 | Transport mode name code Code specifying the name of a mode of transport. Notes: 1. Use UN/ECE Recommendation No 19. |
| 0 | Transport mode not specified Transport mode has not been specified. Notes: 1) This code can be used when the mode is not known or when information on is not available at the time of issuing the document concerned. |
| 1 | Maritime transport Transport of goods and/or persons is by sea. |
| 2 | Rail transport Transport of goods and/or persons is by rail. |
| 3 | Road transport Transport of goods and/or persons is by road. |
| 4 | Air transport Transport of goods and/or persons is by air. |
| 5 | Mail Method to convey goods is by mail. Notes: 1) This code is provided for practical reasons, despite the fact that mail is not a genuine mode of transport. In many countries, the value of merchandise exported by mail is considerable, but the exporter or importer concerned would be unable to state by which mode postal items had been conveyed. |
| 6 | Multimodal transport Method to convey goods and/or persons is by multimodal transport. Notes: 1) This code is provided for practical reasons, despite the fact that multimodal transport is not a genuine mode of transport. It can be used when goods are carried by at least two different modes from a place at which the goods are taken in charge by a transport operator to a place designated for delivery, on the basis of one transport contract. (Operations of pick-up and delivery of goods carried out in the performance of a single mode of transport, as defined in such a contract, shall not be considered as multimodal transport). |

Used Codes

| | |
|-------------|---|
| 7 | Fixed transport installations Transport of item is via a fixed transport installation. |
| | Notes: 1) This code applies to installations for continuous transport such as pipelines, ropeways and electric power lines. |
| 8 | Inland water transport Transport of goods and/or persons is by inland water transport. |
| 9 | Transport mode not applicable The mode of transport is not applicable. |
| 100 | Courier service (GS1 Temporary Code) A courier service used to collect and deliver a consignment to its destination. |
| 8077 | Equipment supplier code Code specifying the party that is the supplier of the equipment. |
| 1 | Shipper supplied The transport equipment is supplied by the shipper. |
| 2 | Carrier supplied The transport equipment is supplied by the carrier. |
| 8101 | Transit direction indicator code Code specifying the direction of transport. |
| BS | Buyer to supplier Self explanatory. GS1 Description: Self explanatory. |
| SB | Supplier to buyer The transport from the seller to the buyer. GS1 Description: The transport from the seller to the buyer. |
| 8155 | Equipment size and type description code Code specifying the size and type of equipment. |
| | Notes: 1. May use codes specified in ISO 6346 for seagoing containers. |
| 1 | Dime coated tank A tank coated with dime. GS1 Description: A non-protected cylindrical container with a narrow neck made usually of glass or plastic which is especially used for liquids. |

Used Codes

| | |
|----|--|
| 2 | Epoxy coated tank A tank coated with epoxy. GS1 Description: A tank coated with epoxy. |
| 6 | Pressurized tank A tank capable of holding pressurized goods. |
| 7 | Refrigerated tank A tank capable of keeping goods refrigerated. |
| 8 | Semi-refrigerated Self explanatory. Notes: This code value will be removed effective with directory D.04B. |
| 9 | Stainless steel tank A tank made of stainless steel. |
| 11 | Box pallet Self explanatory. Notes: This code value will be removed effective with directory D.04B. GS1 Description: A pallet with four sides of equal height which is capable of supporting a lid. |
| 12 | Europallet 80 x 120 cm. |
| 13 | Scandinavian pallet 100 x 120 cm. |
| 14 | Trailer Non self-propelled vehicle designed for the carriage of cargo so that it can be towed by a motor vehicle. |
| 16 | Exchangeable pallet Standard pallet exchangeable following international convention. |
| 17 | Semi-trailer Non self propelled vehicle without front wheels designed for the carriage of cargo and provided with a kingpin. |
| 18 | Tank container 20 ft. A tank container with a length of 20 feet. GS1 Description: A tank container with a length of 20 feet. |
| 19 | Tank container 30 ft. A tank container with a length of 30 feet. GS1 Description: A tank container with a length of 30 feet. |

Used Codes

| | |
|----|---|
| 20 | Tank container 40 ft. A tank container with a length of 40 feet. GS1 Description: A tank container with a length of 40 feet. |
| 21 | Container IC 20 ft. A container owned by InterContainer, a European railway subsidiary, with a length of 20 feet. GS1 Description: IC = InterContainer (subsidiary company of the European railway, responsible for container traffic in a rail environment for special container handling). |
| 22 | Container IC 30 ft. A container owned by InterContainer, a European railway subsidiary, with a length of 30 feet. |
| 23 | Container IC 40 ft. A container owned by InterContainer, a European railway subsidiary, with a length of 40 feet. |
| 24 | Refrigerator tank 20 ft. A refrigerated tank with a length of 20 feet. |
| 25 | Refrigerator tank 30 ft. A refrigerated tank with a length of 30 feet. |
| 26 | Refrigerator tank 40 ft. A refrigerated tank with a length of 40 feet. |
| 27 | Tank container IC 20 ft. A tank container owned by InterContainer, a European railway subsidiary, with a length of 20 feet. |
| 28 | Tank container IC 30 ft. A tank container owned by InterContainer, a European railway subsidiary, with a length of 30 feet. |
| 29 | Tank container IC 40 ft. A tank container, owned by InterContainer, a European railway subsidiary, with a length of 40 feet. |
| 30 | Refrigerator tank IC 20 ft. A refrigerated tank owned by InterContainer, a European railway subsidiary, with a length of 20 feet. |
| 32 | Refrigerator tank IC 40 ft. A refrigerated tank owned by InterContainer, a European railway subsidiary, with a length of 40 feet. |
| 33 | Movable case: L < 6,15m A movable case with a length less than 6,15 metres. |
| 34 | Movable case: 6,15m < L < 7,82m A movable case with a length between 6,15 metres and 7,82 metres. |

Used Codes

| | |
|-------------|--|
| 35 | Movable case: 7,82m < L < 9,15m A movable case with a length between 7,82 metres and 9,15 metres. |
| 36 | Movable case: 9,15m < L < 10,90m A movable case with a length between 9,15 metres and 10,90 metres. |
| 37 | Movable case: 10,90m < L < 13,75m A movable case with a length between 10,90 metres and 13,75 metres. |
| 38 | Totebin A steel open top unit of about 1,5 * 1,5 * 2,5 meters for road transport of bulk cargo. |
| 205 | Synthetic pallet ISO 1 (GS1 Temporary Code) A standard pallet with standard dimensions 80*120cm made of a synthetic material for hygienic reasons. |
| 206 | Synthetic pallet ISO 2 (GS1 Temporary Code) A standard pallet with standard dimensions 100*120cm made of a synthetic material for hygienic reasons. |
| 8169 | Full or empty indicator code Code indicating whether an object is full or empty. |
| 1 | More than one quarter volume available Self explanatory. GS1 Description: More than one quarter of the volume is available in the equipment. |
| 2 | More than half volume available Indicates that there is more than a half of the volume available. |
| 4 | Empty Indicates that the object is empty. GS1 Description: The equipment is empty. |
| 5 | Full Indicates that the object is full. GS1 Description: The equipment is full. |
| 6 | No volume available Indicates that there is no space available in the object. GS1 Description: No volume is available in the equipment. |
| 8179 | Transport means description code Code specifying the means of transport. |
| 1 | Barge chemical tanker A barge equipped to transport liquid chemicals. |

Used Codes

| | |
|----|---|
| 9 | Exceptional transport Transport for which common characteristics are not applicable (e.g. big transformers requiring special wagons, special tackles, special routing etc.). |
| 12 | Ship tanker A large vessel equipped to transport liquids. |
| 13 | Ocean vessel |
| 19 | Tip-up truck A truck capable of tipping up in order to deliver its load. |
| 20 | Furniture truck A truck used explicitly for the conveyance of furniture. |
| 21 | Rail tanker A rail wagon equipped to transport liquids. |
| 22 | Rail silo tanker Self explanatory. Notes: This code value will be removed effective with directory D.04B. |
| 23 | Rail bulk car A rail wagon equipped to transport bulk cargo. |
| 26 | Tip-up articulated truck An articulated truck capable of tipping up in order to deliver its load. |
| 28 | Refrigerated truck and trailer A combined truck and trailer equipped to maintain refrigerated temperatures. GS1 Description: A truck and trailer capable of transporting refrigerated goods. |
| 29 | Freezer truck and trailer A combined truck and trailer equipped to maintain freezing temperatures. GS1 Description: A truck and trailer capable of transporting frozen goods. |
| 30 | Tautliner 25 tonne, combined with 90 cubic meter trailer with removable roof A truck with non-ridged sides, 25 tonne capacity combined with a 90 cubic meter trailer with removable roof. |
| 31 | Truck An automotive vehicle for hauling goods. |
| 32 | Road tanker An over-the-road tank trucker or trailer. |
| 35 | Truck/trailer with tilt A truck and trailer combination with a tilting capability. GS1 Description: A truck/trailer fitted with a tilting mechanism. |

Used Codes

| | |
|----|--|
| 40 | Truck with opening floor A truck with an opening floor mechanism which is used to discharge the cargo. |
| 41 | Freezer truck A truck equipped to maintain freezing temperatures. |
| 42 | Isothermic truck A truck equipped to maintain controlled temperatures. |
| 43 | Refrigerated truck A truck equipped to maintain refrigerated temperatures. GS1 Description: A truck capable of transporting refrigerated goods. |
| 44 | Freezer van A small rigid covered vehicle for conveying frozen goods. GS1 Description: A van capable of transporting frozen goods. |
| 45 | Isothermic van A small rigid covered vehicle for conveying temperature controlled goods. GS1 Description: A van capable of transporting temperature controlled goods. |
| 46 | Refrigerated van A small rigid covered vehicle for conveying refrigerated goods. GS1 Description: A van capable of transporting refrigerated goods. |
| 47 | Bulk truck A truck suitable for transporting bulk goods. |
| 48 | Van A small vehicle suitable for carrying small volume loads. |
| 73 | Train with more than one and less than 20 wagons A train with more than one and less than 20 wagons used to carry goods. |
| 74 | Train with 20 or more wagons A train with 20 or more wagons used to carry goods. |
| 77 | Freezer truck and isothermic trailer A combined freezer truck and isothermic trailer. |
| 78 | Isothermic truck and isothermic trailer A truck and a trailer equipped to maintain controlled temperatures. |
| 79 | Refrigerated truck and isothermic trailer A combined refrigerated truck and isothermic trailer. |
| 80 | Freezer truck and refrigerated trailer A combined freezer truck and refrigerated trailer. |

Used Codes

| | |
|----|--|
| 81 | Isothermic truck and refrigerated trailer A combined isothermic truck and refrigerated trailer. |
| 82 | Rigid truck with tank and tank trailer A combined rigid truck with tank and tank trailer. |
| 83 | Bulk truck and tank trailer A combined truck capable of carrying liquids or bulk goods and a tank trailer. |
| 84 | Rigid truck with tank and bulk trailer A combined rigid truck with tank and a trailer capable of carrying liquids or bulk goods. |
| 85 | Bulk truck and bulk trailer A combined truck and a trailer both capable of carrying liquids or bulk goods. |
| 86 | Tautliner truck and extendable trailer A combined tautliner truck and extendable trailer. |
| 87 | Tautliner truck with removable roof and extendable trailer A combined tautliner truck with removable roof and extendable trailer. |
| 88 | Truck with opening floor and extendable trailer A combined truck with opening floor and extendable trailer. |
| 89 | Bulk truck and extendable trailer A combined truck capable of carrying liquids or bulk goods and an extendable trailer. |
| 90 | Isothermic truck and freezer trailer A combined isothermic truck and freezer trailer. |
| 91 | Refrigerated truck and freezer trailer A combined refrigerated truck and freezer trailer. |
| 92 | Tip-up truck and gondola trailer A combined tip-up truck and gondola trailer. A gondola trailer is a split level trailer suitable for the transport of heavy machinery. |
| 93 | Tautliner truck and gondola trailer A combined tautliner truck and gondola trailer. A gondola trailer is a split level trailer suitable for the transport of heavy machinery. |
| 94 | Tautliner truck with removable roof and gondola trailer A combined tautliner truck with removable roof and gondola trailer. A gondola trailer is a split level trailer suitable for the transport of heavy machinery. |
| 95 | Truck with opening floor and gondola trailer A combined truck with opening floor and gondola trailer. A gondola trailer is a split level trailer suitable for the transport of heavy machinery. |

Used Codes

| | |
|------|---|
| 96 | <p>Bulk truck and gondola trailer</p> <p>A combined truck capable of carrying liquids or bulk goods and a gondola trailer. A gondola trailer is a split level trailer suitable for the transport of heavy machinery.</p> |
| 97 | <p>Tip-up truck and extendable gondola trailer</p> <p>A combined tip-up truck with extendable gondola trailer. An extendable gondola trailer is a trailer fitted with a rear axle which can be extended to cater for variable length and is suitable for the transport of heavy machinery.</p> |
| 98 | <p>Tautliner truck and extendable gondola trailer</p> <p>A combined tautliner truck and extendable gondola trailer. An extendable gondola trailer is a trailer fitted with a rear axle which can be extended to cater for variable length and is suitable for the transport of heavy machinery.</p> |
| 99 | <p>Tautliner truck with removable roof and extendable gondola trailer</p> <p>A combined tautliner truck with removable roof and extendable gondola trailer. An extendable gondola trailer is a trailer fitted with a rear axle which can be extended to cater for variable length and is suitable for the transport of heavy machinery.</p> |
| 100 | <p>Truck with opening floor and extendable gondola trailer</p> <p>A combined truck with opening floor and extendable gondola trailer. An extendable gondola trailer is a trailer fitted with a rear axle which can be extended to cater for variable length and is suitable for the transport of heavy machinery.</p> |
| 101 | <p>Bulk truck and extendable gondola trailer</p> <p>A combined truck capable of carrying liquids or bulk goods and a extendable gondola trailer. An extendable gondola trailer is a trailer fitted with a rear axle which can be extended to cater for variable length and is suitable for the transport of heavy machinery.</p> |
| 102 | <p>Tip-up truck and trailer with opening floor</p> <p>A combined tip-up truck and trailer with opening floor.</p> |
| 103 | <p>Tautliner truck and trailer with opening floor</p> <p>A combined tautliner truck and trailer with opening floor.</p> |
| 104 | <p>Tautliner truck with removable roof and trailer with opening floor</p> <p>A combined tautliner truck with removable roof and trailer with opening floor.</p> |
| 106 | <p>Bulk truck and trailer with opening floor</p> <p>A combined truck capable of carrying liquids or bulk goods and a trailer with opening floor.</p> |
| 3138 | <p>Armoured vehicle</p> <p>Automotive vehicle designed with fortified body for enhanced protection.</p> |
| 10E | <p>Tautliner 25t (GS1 Temporary Code)</p> <p>A 25t Tautliner truck/trailer.</p> |
| 11E | <p>Tautliner 25t with removable roof (GS1 Temporary Code)</p> <p>A 25t Tautliner truck/trailer with removable roof.</p> |

Used Codes

| | |
|-----|---|
| 12E | Articulated flat lorry 25t (GS1 Temporary Code) An articulated flat lorry capable of carrying loads of 25 tonnes. |
| 13E | Articulated flat lorry 24t with crane 10m (GS1 Temporary Code) An articulated flat lorry with a 10 meter crane capable of carrying loads of 24 tonnes. |
| 14E | Articulated flat lorry 24t with crane 15m (GS1 Temporary Code) An articulated flat lorry with a 15 meter crane capable of carrying loads of 24 tonnes. |
| 15E | Articulated flat lorry 24t with crane 18m (GS1 Temporary Code) An articulated flat lorry with a 18 meter crane capable of carrying loads of 24 tonnes. |
| 16E | Articulated flat lorry 10t (GS1 Temporary Code) An articulated flat lorry capable of carrying loads of 10 tonnes. |
| 17E | Tautliner 25t with trailer 90m3 (GS1 Temporary Code) A 25t Tautliner truck/trailer with a 90 m3 trailer. |
| 18E | Tautliner 25t with trailer 120m3 (GS1 Temporary Code) A 25t Tautliner truck/trailer with a 120 m3 trailer. |
| 19E | Flat lorry with trailer and crane 10m (GS1 Temporary Code) An flat lorry with a trailer and a 10 meter crane. |
| 20E | Articulated lorry with tank (GS1 Temporary Code) An articulated lorry fitted with a tank capable of carrying liquids or bulk goods.. |
| 21E | Flat lorry 15t (GS1 Temporary Code) A flat lorry capable of carrying loads of 15 tonnes. |
| 22E | Flat lorry 25t with crane (GS1 Temporary Code) An flat lorry fitted with a crane and capable of carrying loads of 25 tonnes. |
| 27E | Isothermic trailer (GS1 Temporary Code) A trailer capable of transporting temperature controlled goods. |
| 28E | Refrigerated trailer (GS1 Temporary Code) A trailer capable of transporting refrigerated goods. |
| 32E | Trailer (GS1 Temporary Code) A trailer suitable for transporting containerised or palletized goods. |
| 33E | Tank trailer (GS1 Temporary Code) A tank trailer suitable for transporting liquids. |
| 34E | Bulk trailer (GS1 Temporary Code) A trailer suitable for transporting bulk goods. |

Used Codes

| | |
|-----|---|
| 37E | Extendable trailer (GS1 Temporary Code) A trailer fitted with a rear axle which can be extended to cater for variable length loads. |
| 38E | Dolly trailer (GS1 Temporary Code) A trailer composed of a platform mounted on an axle. The trailer is not connected directly to the truck but connected by the load. |
| 39E | Freezer trailer (GS1 Temporary Code) A trailer suitable for transporting frozen goods. |
| 41E | Furniture removal trailer (GS1 Temporary Code) A trailer used explicitly for the removal of furniture. |
| 44E | Gondola trailer (GS1 Temporary Code) A split level trailer suitable for the transport of heavy machinery (e.g. earth movers). |
| 45E | Extendable gondola trailer (GS1 Temporary Code) A trailer fitted with a rear axle which can be extended to cater for variable length loads and is suitable for the transport of heavy machinery (e.g. earth movers). |
| 46E | Rigid lorry with tank (GS1 Temporary Code) A rigid lorry fitted with a tank capable of carrying liquids or bulk goods. |
| 50E | Tautliner rigid truck (GS1 Temporary Code) A Tautliner rigid truck. |
| 51E | Tautliner rigid truck with removable roof (GS1 Temporary Code) A Tautliner rigid truck with removable roof. |
| 53E | Trailer with opening floor (GS1 Temporary Code) A trailer with an opening floor mechanism which is used to discharge the cargo. |
| 54E | Train with convergent set of wagons (GS1 Temporary Code) A train with wagons coming from different despatch locations which must be grouped in order to form one train. |
| 55E | Train with divergent set of wagons (GS1 Temporary Code) A train with wagons coming from the same despatch location which will be split in different trains because there are more than one point of delivery. |
| 56E | Combination of a truck (length 6 m) and a trailer (length 8 m) (GS1 Temporary Code) Combination of a truck (length 6 m) and a trailer (length 8m) having a combined tonnage of between 23 and 25 tons and a loading capacity of 90m ³ . |
| 57E | Combination of a truck (length 6 m) and a trailer (length 9 m) (GS1 Temporary Code) Combination of a truck (length 6m) and a trailer (length 9m) having a combined tonnage of between 23 and 25 tons and a loading capacity of 100m ³ . |

Used Codes

| | |
|-----|---|
| 58E | Combination of a truck and trailer with a length of 13.6m, a tonnage between 23 and 25 tons (GS1 Temporary Code) Combination of a truck and a trailer with a length of 13.6m, a tonnage between 23 and 25 tons, and a loading capacity of 80 m3. |
| 59E | Rail wagon (GS1 Temporary Code) A single rail wagon used to carry goods. |
| 77E | Furniture truck and trailer (GS1 Temporary Code) A combined truck and trailer capable of carrying furniture. |
| 78E | Tautliner truck and furniture trailer (GS1 Temporary Code) A combined tautliner truck and furniture trailer. |
| 79E | Tautliner truck with removable roof and furniture trailer (GS1 Temporary Code) A combined .tautliner truck with removable roof and furniture trailer. |
| 93E | Truck and trailer with opening floor (GS1 Temporary Code) A combined truck and a trailer with an opening floor. |
| 95E | Tautliner truck and dolly trailer (GS1 Temporary Code) A combined tautliner truck and a dolly trailer. |
| 96E | A tautliner truck with removable roof and a dolly trailer (GS1 Temporary Code) A combined tautliner truck with removable roof and a dolly trailer. |
| 97E | Truck with trailer (GS1 Temporary Code) Combined truck and trailer. |
| 98E | Truck with crane for moving goods without trailer (GS1 Temporary Code) A truck with a crane that enables to move goods, without trailer. |
| 99E | Truck with crane for moving goods with trailer (GS1 Temporary Code) A truck with a crane that enables to move goods, with trailer. |
| X01 | Truck with crane for lifting goods without trailer (GS1 Temporary Code) A truck with a crane that enables to lift goods, without trailer. |
| X02 | Truck with crane for lifting goods with trailer (GS1 Temporary Code) A truck with a crane that enables to lift goods, with trailer. |
| X04 | Courier express (GS1 Temporary Code) Use the fastest courier means possible. |
| X05 | Road parcel express (GS1 Temporary Code) Parcel express service by road. |
| X06 | Air freight (GS1 Temporary Code) Air freight delivery service. |
| X07 | Surface air lifting (GS1 Temporary Code) Surface air lifting postal service. |

Used Codes

| | |
|-------------|--|
| X08 | Air express (GS1 Temporary Code) Air express delivery service. |
| X09 | Parcel post (GS1 Temporary Code) Postal service for the delivery of parcels. |
| X10 | Mail express (GS1 Temporary Code) The express mail service of the postal service. |
| X11 | Surface mail (GS1 Temporary Code) For non air mail international mailing. |
| X12 | Accelerated surface mail (GS1 Temporary Code) Higher priority surface mail. |
| X13 | Air mail (GS1 Temporary Code) Use air mail service. |
| X14 | Printed matter/book post (GS1 Temporary Code) A special mailing service for printed matter or books. |
| X15 | Parcel delivery registered (GS1 Temporary Code) Service for the delivery of registered parcels |
| X16 | Parcel delivery express service registered (GS1 Temporary Code) Express service for the delivery of registered parcels |
| X3 | Truck up to 3,5 tons (GS1 Temporary Code) A truck with a total weight up to 3,5 tons. |
| X4 | Miscellaneous transport means (GS1 Temporary Code) Miscellaneous means of transport not further defined. |
| 8249 | Equipment status code Code specifying the status of equipment. |
| 4E | Empty (GS1 Temporary Code) Empty transport equipment. |
| 5E | Full (GS1 Temporary Code) Full transport equipment. |
| 8395 | Returnable package freight payment responsibility code Code specifying the responsibility for the freight payment for a returnable package. |
| 1 | Paid by customer Self explanatory. |
| 2 | Free Self explanatory. |

Used Codes

3 Paid by supplier
The responsibility for the freight for returning the packaging is to be paid by the supplier.

8453 Transport means nationality code
Code specifying the nationality of a means of transport.

Notes:

| 1. Use ISO 3166-1 two alpha country code.

| | |
|----|------------------------|
| AD | Andorra |
| AE | United Arab Emirates |
| AF | Afghanistan |
| AG | Antigua and Barbuda |
| AI | Anguilla |
| AL | Albania |
| AM | Armenia |
| AO | Angola |
| AQ | Antarctica |
| AR | Argentina |
| AS | American Samoa |
| AT | Austria |
| AU | Australia |
| AW | Aruba |
| AX | Åland Islands |
| AZ | Azerbaijan |
| BA | Bosnia and Herzegovina |
| BB | Barbados |
| BD | Bangladesh |
| BE | Belgium |
| BF | Burkina Faso |
| BG | Bulgaria |
| BH | Bahrain |
| BI | Burundi |
| BJ | Benin |
| BL | Saint Barthélemy |
| BM | Bermuda |

Used Codes

| | |
|----|----------------------------------|
| BN | Brunei Darussalam |
| BO | Bolivia (Plurinational State of) |
| BQ | Bonaire, Sint Eustatius and Saba |
| BR | Brazil |
| BS | Bahamas |
| BT | Bhutan |
| BV | Bouvet Island |
| BW | Botswana |
| BY | Belarus |
| BZ | Belize |
| CA | Canada |
| CC | Cocos (Keeling) Islands |
| CD | Congo, Democratic Republic of |
| CF | Central African Republic |
| CG | Congo |
| CH | Switzerland |
| CI | Cote D'Ivoire |
| CK | Cook Islands |
| CL | Chile |
| CM | Cameroon |
| CN | China |
| CO | Colombia |
| CR | Costa Rica |
| CU | Cuba |
| CV | Cape Verde |
| CW | Curaçao |
| CX | Christmas Island |
| CY | Cyprus |
| CZ | Czechia |
| DE | Germany |
| DJ | Djibouti |
| DK | Denmark |
| DM | Dominica |

Used Codes

| | |
|----|--|
| DO | Dominican Republic |
| DZ | Algeria |
| EC | Ecuador |
| EE | Estonia |
| EG | Egypt |
| EH | Western Sahara |
| ER | Eritrea |
| ES | Spain |
| ET | Ethiopia |
| FI | Finland |
| FJ | Fiji |
| FK | Falkland Islands (Malvinas) |
| FM | Micronesia (Federated States of) |
| FO | Faroe Islands |
| FR | France |
| GA | Gabon |
| GB | United Kingdom of Great Britain and Northern Ireland |
| GD | Grenada |
| GE | Georgia |
| GF | French Guiana |
| GG | Guernsey |
| GH | Ghana |
| GI | Gibraltar |
| GL | Greenland |
| GM | Gambia |
| GN | Guinea |
| GP | Guadeloupe |
| GQ | Equatorial Guinea |
| GR | Greece |
| GS | South Georgia and the South Sandwich Islands |
| GT | Guatemala |
| GU | Guam |
| GW | Guinea-Bissau |

Used Codes

| | |
|----|---|
| GY | Guyana |
| HK | Hong Kong |
| HM | Heard Island and Mcdonald Islands |
| HN | Honduras |
| HR | Croatia |
| HT | Haiti |
| HU | Hungary |
| ID | Indonesia |
| IE | Ireland |
| IL | Israel |
| IM | Isle Of Man |
| IN | India |
| IO | British Indian Ocean Territory |
| IQ | Iraq |
| IR | Iran (Islamic Republic of) |
| IS | Iceland |
| IT | Italy |
| JE | Jersey |
| JM | Jamaica |
| JO | Jordan |
| JP | Japan |
| KE | Kenya |
| KG | Kyrgyzstan |
| KH | Cambodia |
| KI | Kiribati |
| KM | Comoros |
| KN | Saint Kitts and Nevis |
| KP | Korea (Democratic People'S Republic of) |
| KR | Korea, Republic of |
| KW | Kuwait |
| KY | Cayman Islands |
| KZ | Kazakhstan |
| LA | Lao People'S Democratic Republic |

Used Codes

| | |
|----|--|
| LB | Lebanon |
| LC | Saint Lucia |
| LI | Liechtenstein |
| LK | Sri Lanka |
| LR | Liberia |
| LS | Lesotho |
| LT | Lithuania |
| LU | Luxembourg |
| LV | Latvia |
| LY | Libya |
| MA | Morocco |
| MC | Monaco |
| MD | Moldova, Republic of |
| ME | Montenegro |
| MF | Saint Martin (French Part) |
| MG | Madagascar |
| MH | Marshall Islands |
| MK | Macedonia, the Former Yugoslav Republic of |
| ML | Mali |
| MM | Myanmar |
| MN | Mongolia |
| MO | Macao |
| MP | Northern Mariana Islands |
| MQ | Martinique |
| MR | Mauritania |
| MS | Montserrat |
| MT | Malta |
| MU | Mauritius |
| MV | Maldives |
| MW | Malawi |
| MX | Mexico |
| MY | Malaysia |
| MZ | Mozambique |

Used Codes

| | |
|----|---------------------------|
| NA | Namibia |
| NC | New Caledonia |
| NE | Niger |
| NF | Norfolk Island |
| NG | Nigeria |
| NI | Nicaragua |
| NL | Netherlands |
| NO | Norway |
| NP | Nepal |
| NR | Nauru |
| NU | Niue |
| NZ | New Zealand |
| OM | Oman |
| PA | Panama |
| PE | Peru |
| PF | French Polynesia |
| PG | Papua New Guinea |
| PH | Philippines |
| PK | Pakistan |
| PL | Poland |
| PM | Saint Pierre and Miquelon |
| PN | Pitcairn |
| PR | Puerto Rico |
| PS | Palestine, State of |
| PT | Portugal |
| PW | Palau |
| PY | Paraguay |
| QA | Qatar |
| RE | Reunion |
| RO | Romania |
| RS | Serbia |
| RU | Russian Federation |
| RW | Rwanda |

Used Codes

| | |
|----|--|
| SA | Saudi Arabia |
| SB | Solomon Islands |
| SC | Seychelles |
| SD | Sudan |
| SE | Sweden |
| SG | Singapore |
| SH | Saint Helena, Ascension and Tristan da Cunha |
| SI | Slovenia |
| SJ | Svalbard and Jan Mayen |
| SK | Slovakia |
| SL | Sierra Leone |
| SM | San Marino |
| SN | Senegal |
| SO | Somalia |
| SR | Suriname |
| SS | South Sudan |
| ST | Sao Tome and Principe |
| SV | El Salvador |
| SX | Sint Maarten (Dutch part) |
| SY | Syrian Arab Republic |
| SZ | Swaziland |
| TC | Turks and Caicos Islands |
| TD | Chad |
| TF | French Southern Territories |
| TG | Togo |
| TH | Thailand |
| TJ | Tajikistan |
| TK | Tokelau |
| TL | Timor-Leste |
| TM | Turkmenistan |
| TN | Tunisia |
| TO | Tonga |
| TR | Turkey |

Used Codes

| | |
|-------------|---|
| TT | Trinidad and Tobago |
| TV | Tuvalu |
| TW | Taiwan, Province of China |
| TZ | Tanzania, United Republic of |
| UA | Ukraine |
| UG | Uganda |
| UM | United States Minor Outlying Islands |
| US | United States of America |
| UY | Uruguay |
| UZ | Uzbekistan |
| VA | Holy See |
| VC | Saint Vincent and the Grenadines |
| VE | Venezuela (Bolivarian Republic of) |
| VG | Virgin Islands, British |
| VI | Virgin Islands, U.S. |
| VN | Viet Nam |
| VU | Vanuatu |
| WF | Wallis and Futuna |
| WS | Samoa |
| YE | Yemen |
| YT | Mayotte |
| ZA | South Africa |
| ZM | Zambia |
| ZW | Zimbabwe |
| 9303 | Sealing party name code Code specifying the name of the sealing party. |
| CA | Carrier Party undertaking or arranging transport of goods between named points. |
| CU | Customs 'Customs' means the Government Service which is responsible for the administration of Customs law and the collection of duties and taxes and which also has the responsibility for the application of other laws and regulations relating to the importation, exportation, movement or storage of goods. |

Used Codes

| | |
|----|--|
| SH | Shipper Party which, by contract with a carrier, consigns or sends goods with the carrier, or has them conveyed by him. |
| TO | Terminal operator Party which handles the loading and unloading of marine vessels. |

Example

UNA:+. ?*'

UNA:+. ?*'

UNB+UNOA:4+4012345000009:14:1+4000004000002:14:4000004000099+20151013:10
43+12345555+REF:AA++A+1+EANCOM-DISI+1'

UNB+UNOC:4+5412345678908:14+8798765432106:14+20020102:
1000+12345555++++EANCOMREF 52'

UNH+ME000001+RECADV:D:01B:UN:EAN009:X'

UNH+ME000001+RECADV:D:01B:UN:EAN009'

BGM+632:::1+1+5'

BGM+632+REC5488+9'

DTM+35:19931101:102'

DTM+137:20021111:102'

DTM+50:200211051640:203'

ALI+++199'

ALI+++199'

FTX+AAI+1+1E:23:6+A:A:A:A+EN'

FTX+AAI+1+001::91'

RFF+AAK:1'

RFF+AAK:533662'

DTM+171:19931101:102'

DTM+171:20021025:102'

NAD+SU+15:::9+X:::X+A:A:A:A:A:1+A:A:A:X+A+A:23:2:X+A+GB'

NAD+BY+5412345000013::9'

NAD+SU+5412345000020::9'

RFF+VA:1'

RFF+VA:AF48776'

CTA+AD+1:1'

CTA+GR+:C SANCHEZ'

COM+1:TE'

COM+00445885521:TE'

TDT+1+1+0+1:1+1:23:9:1+BS++1:23:2:1:GB'

TDT+20++30+31'

EQD+08+X:23:87:AD+1:23:2:X+1+4E+1'

EQD+TE+93219::87'

SEL+X+CA:23:9:X'

SEL+2167+CU'

CDI+1+4:23:9:X'

CDI+1+4'

CPS+1+1'

CPS+1'

PAC+1+:50:1+AE:23:9:1++1'

PAC+10++201::9'

QVR+1:1+BK+BJ:23:9:1'

QVR+-40:124++BN::9'

Example

PCI+17+1:1:1:1:1:1:1:1:1:1:1'
PCI+17+CONTAINER ABN54421'

GIN+AW+1:1+1:1+1:1+1:1+1:1'
GIN+AW+354123450000000014'

LIN+1++1:SRV+1:1'
LIN+1++5412345123453:SRV'

PIA+1+1:AA:23:9+1:AA:23:2+1:AA:23:2+1:AA:23:2+1:AA:23:2'
PIA+1+AB5124:IN'
PIA+5+2209953C001L:AC'

IMD+F+4::9+CU::9:CORN CRUNCHIES:CASE:EN'
IMD+C++TU::9'
IMD+F++:::CORN CRUNCHIES:CASE'

QTY+12:1:KGM'
QTY+194:150'

QVR+1:1+AC+AT:23:2:1'
QVR+40:195+AC'

DTM+2:19930111:102'
DTM+200:20021115:102'

FTX+BAP+++WWW.RETAILERX.COM/RECADV/DAMAGEDGOODS/ORDER556/LIN3.PHOT01.JPG
:3:X'

RFF+AAK:1:1'
RFF+AAK:63321'

DTM+171:19931101:102'
DTM+171:20021115:102'

PCI+17+1:1:1:1:1:1:1:1:1:1:1'
PCI+17'

QTY+194:1:KGM'
QTY+194:45'

QVR+1:1+AC+AT:23:2:X'
QVR+40:195+AC'

GIN+AW+1:1+1:1+1:1+1:1+1:1'
GIN+AW+354123450000000014'

CNT+2:1:H87'
CNT+2:120'

UNT+35+ME000001'
UNT+34+ME000001'

UNZ+1+12345555'
UNZ+5+12345555'
